

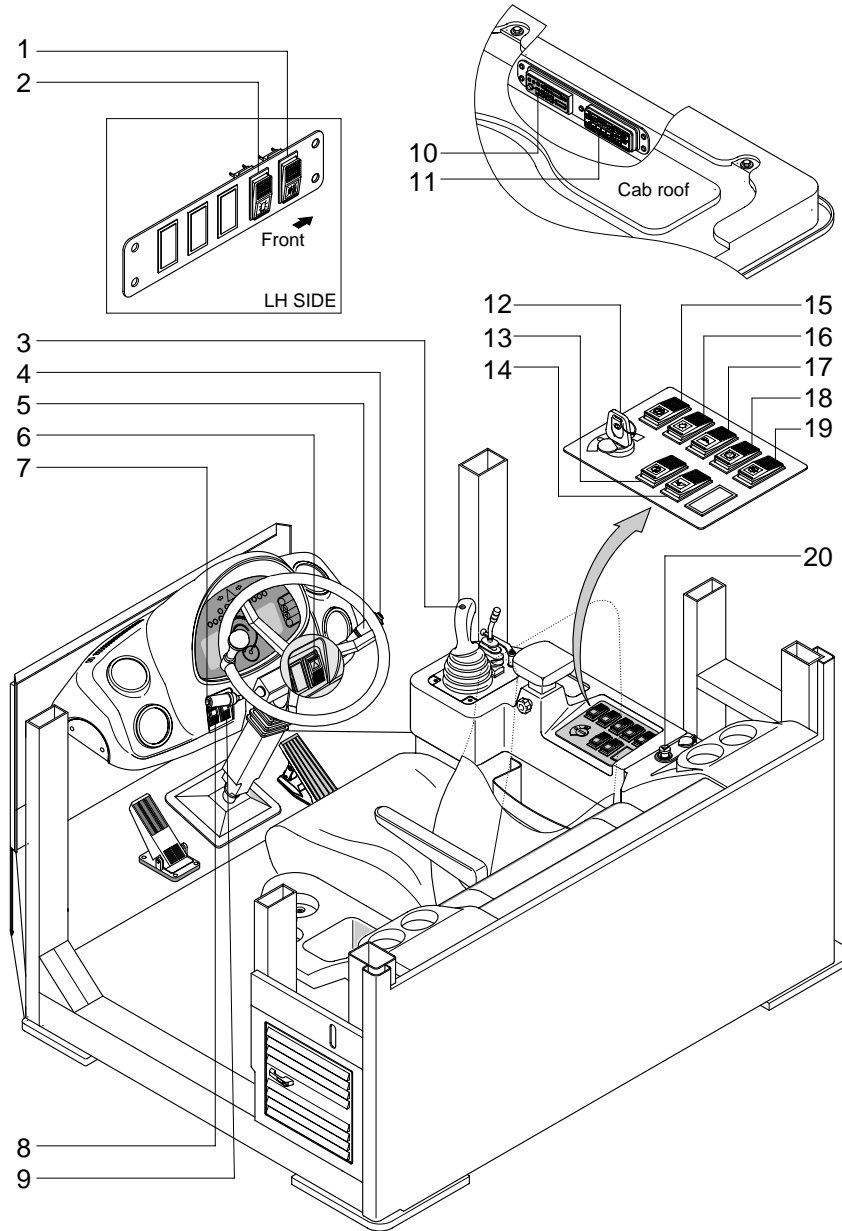
SECTION 7 ELECTRICAL SYSTEM

Group 1 Component Location	7-1
Group 2 Electrical Circuit	7-3
Group 3 Monitoring System	7-22
Group 4 Electrical Component Specification	7-38
Group 5 Connectors	7-45
Group 6 Troubleshooting	7-59

SECTION 7 ELECTRICAL SYSTEM

GROUP 1 COMPONENT LOCATION

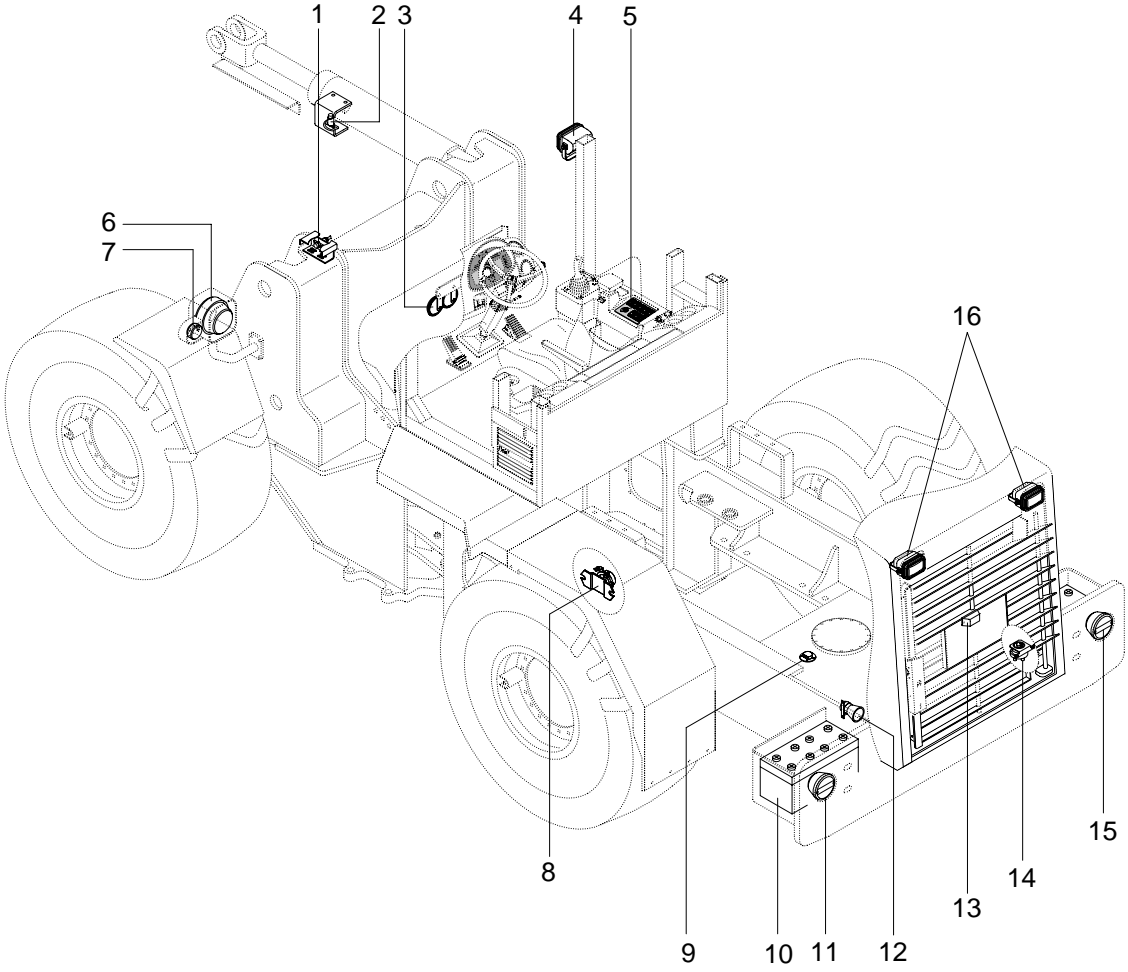
1. LOCATION 1



757TM7EL01

- | | | |
|---------------------------|----------------------------------|--------------------------|
| 1 Buzzer stop switch | 8 Attachment unlock switch | 15 Parking brake switch |
| 2 Beacon switch(Optional) | 9 Attachment lock switch | 16 Main light switch |
| 3 Kick down switch | 10 Radio & cassette | 17 Work lamp switch |
| 4 Hone button | 11 Aircon & heater switch | 18 Auto select switch |
| 5 Multi function switch | 12 Starting switch | 19 Clutch cut off switch |
| 6 Hazard switch | 13 Rear wiper/washer switch | 20 Cigar lighter |
| 7 Kick down switch | 14 Ride control switch(Optional) | |

2. LOCATION 2



757TM7EL02

- | | | |
|--------------------|--------------------|----------------------|
| 1 Proximity switch | 7 Front turn lamp | 12 Back up buzzer |
| 2 Proximity switch | 8 Battery relay | 13 Number plate lamp |
| 3 Horn | 9 Fuel sender | 14 Master switch |
| 4 Work lamp | 10 Battery | 15 Rear combi lamp |
| 5 Switch panel | 11 Rear combi lamp | 16 Work lamp |
| 6 Head lamp | | |