

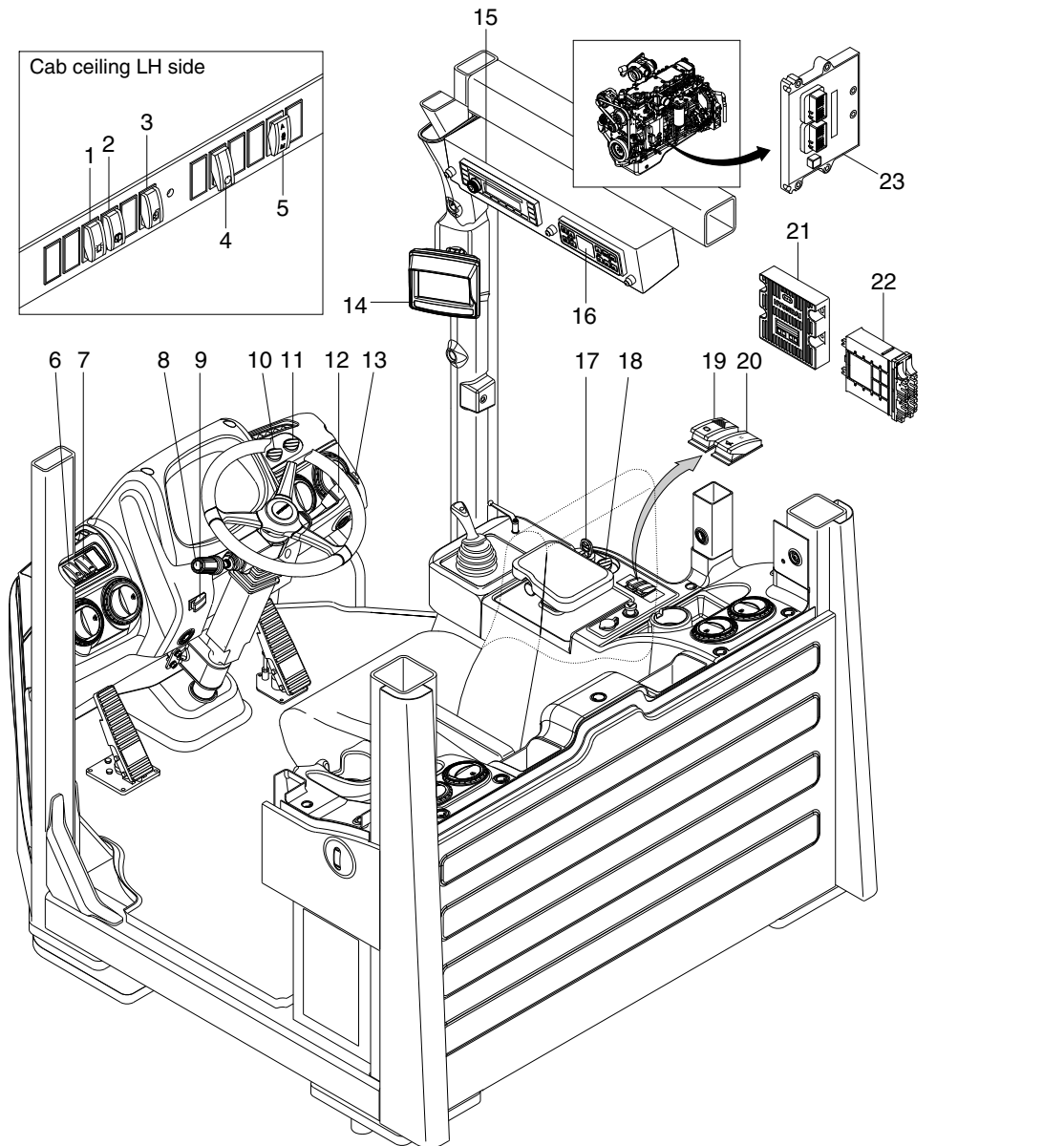
SECTION 7 ELECTRICAL SYSTEM

Group 1 Component Location	7-1
Group 2 Electrical Circuit	7-3
Group 3 Monitoring System	7-21
Group 4 Electrical Component Specification	7-48
Group 5 Connectors	7-55
Group 6 Troubleshooting	7-75

SECTION 7 ELECTRICAL SYSTEM

GROUP 1 COMPONENT LOCATION

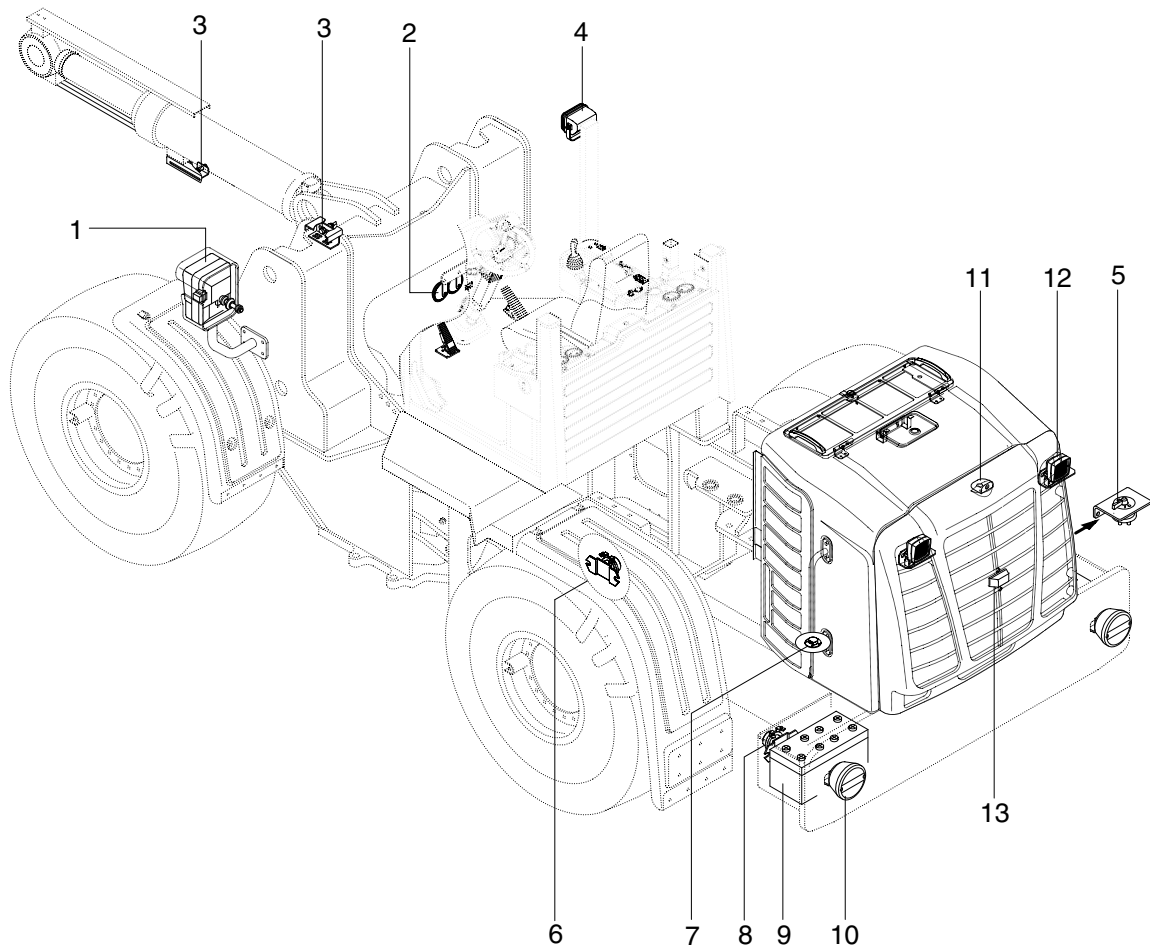
1. LOCATION 1



7579S7EL02

- | | | |
|-------------------------------|-------------------------------|-------------------------------|
| 1 Beacon switch (opt) | 9 Hazard switch | 17 Starting switch |
| 2 Rear wiper / washer switch | 10 T/M shift mode switch | 18 Engine mode switch |
| 3 Mirror defrost switch | 11 Clutch cut off mode switch | 19 Parking brake switch |
| 4 Emergency test switch (opt) | 12 Multi function switch | 20 Ride control switch (opt) |
| 5 Fan control switch | 13 Horn switch | 21 Machine control unit (MCU) |
| 6 Main light switch | 14 Monitor | 22 T/M control unit (TCU) |
| 7 Work lamp switch | 15 Radio & USB player | 23 Engine control unit (ECU) |
| 8 Kick down switch | 16 Aircon & heater switch | |

2. LOCATION 2



7609S7EL02-1

- | | | | | | |
|---|------------------|----|-----------------|----|-------------------|
| 1 | Head lamp | 6 | Start relay | 11 | Camera (opt) |
| 2 | Horn | 7 | Fuel sender | 12 | Work lamp |
| 3 | Proximity switch | 8 | Battery relay | 13 | Number plate lamp |
| 4 | Work lamp | 9 | Battery | | |
| 5 | Master switch | 10 | Rear combi lamp | | |