

SECTION 7 ELECTRICAL SYSTEM

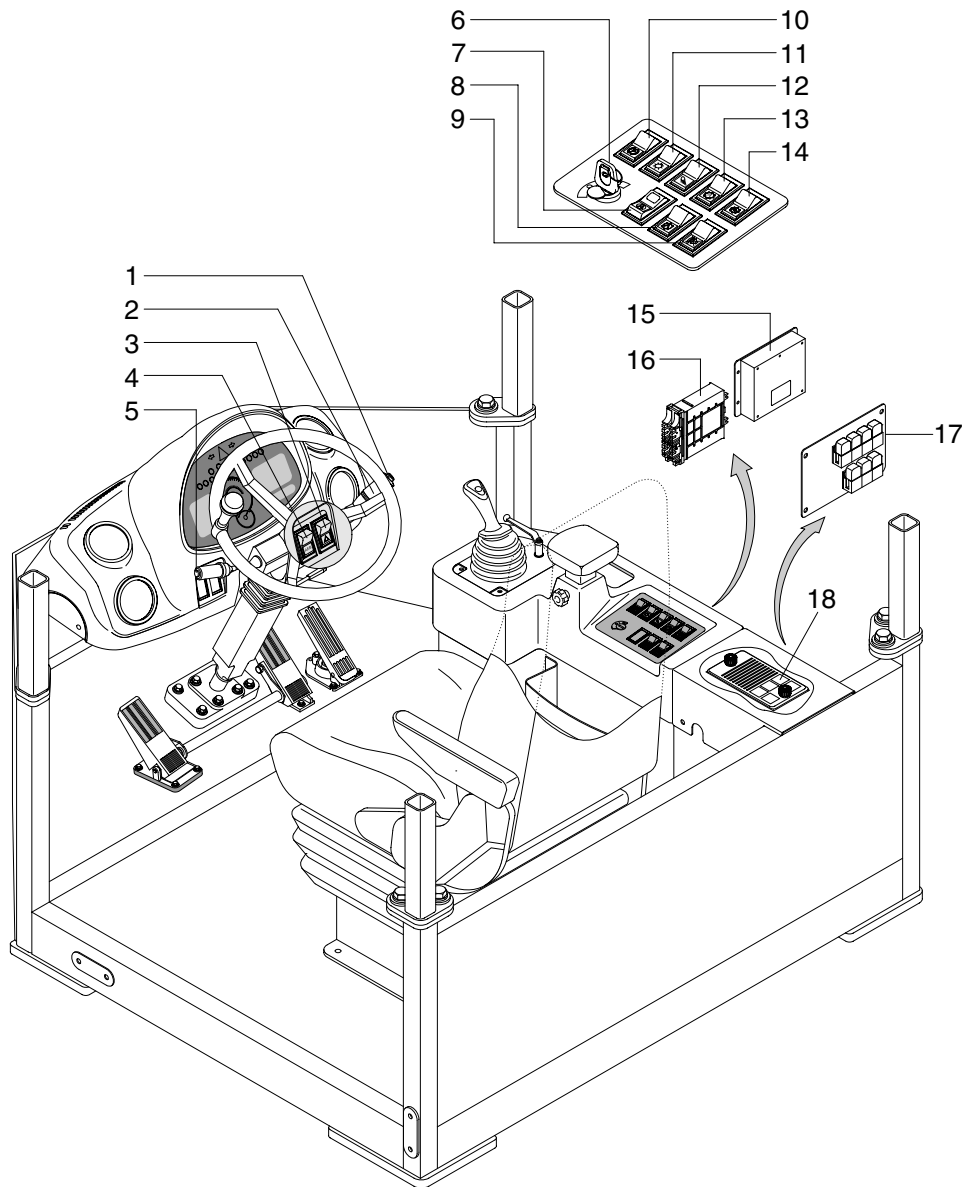
Group 1 Component Location	7-1
Group 2 Electrical Circuit	7-4
Group 3 Monitoring System	7-25
Group 4 Electrical Component Specification	7-39
Group 5 Connectors	7-46
Group 6 Troubleshooting	7-66

SECTION 7 ELECTRICAL SYSTEM

GROUP 1 COMPONENT LOCATION

1. LOCATION 1

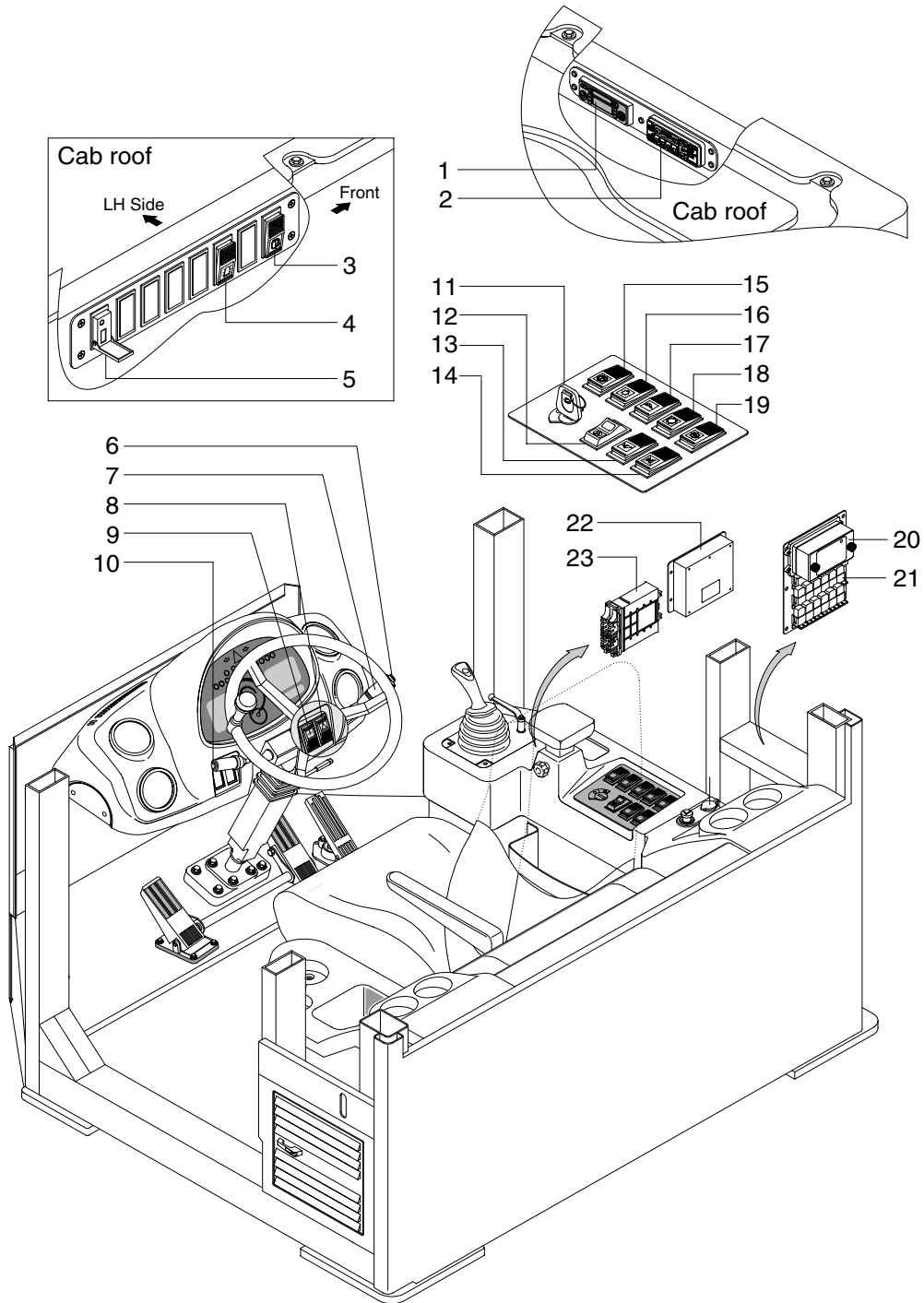
· Canopy type



7577S7EL02

- | | | | | | |
|---|-----------------------|----|---------------------------|----|----------------------------|
| 1 | Horn switch | 7 | Motor pump switch (opt) | 13 | Auto shift select switch |
| 2 | Multi function switch | 8 | Ride control switch (opt) | 14 | Clutch cut off switch |
| 3 | Hazard switch | 9 | Buzzer stop switch | 15 | Machine control unit (MCU) |
| 4 | AEB switch | 10 | Parking brake switch | 16 | T/M control unit (TCU) |
| 5 | Kick down switch | 11 | Main light switch | 17 | Relay board |
| 6 | Starting switch | 12 | Work lamp switch | 18 | Fuse box |

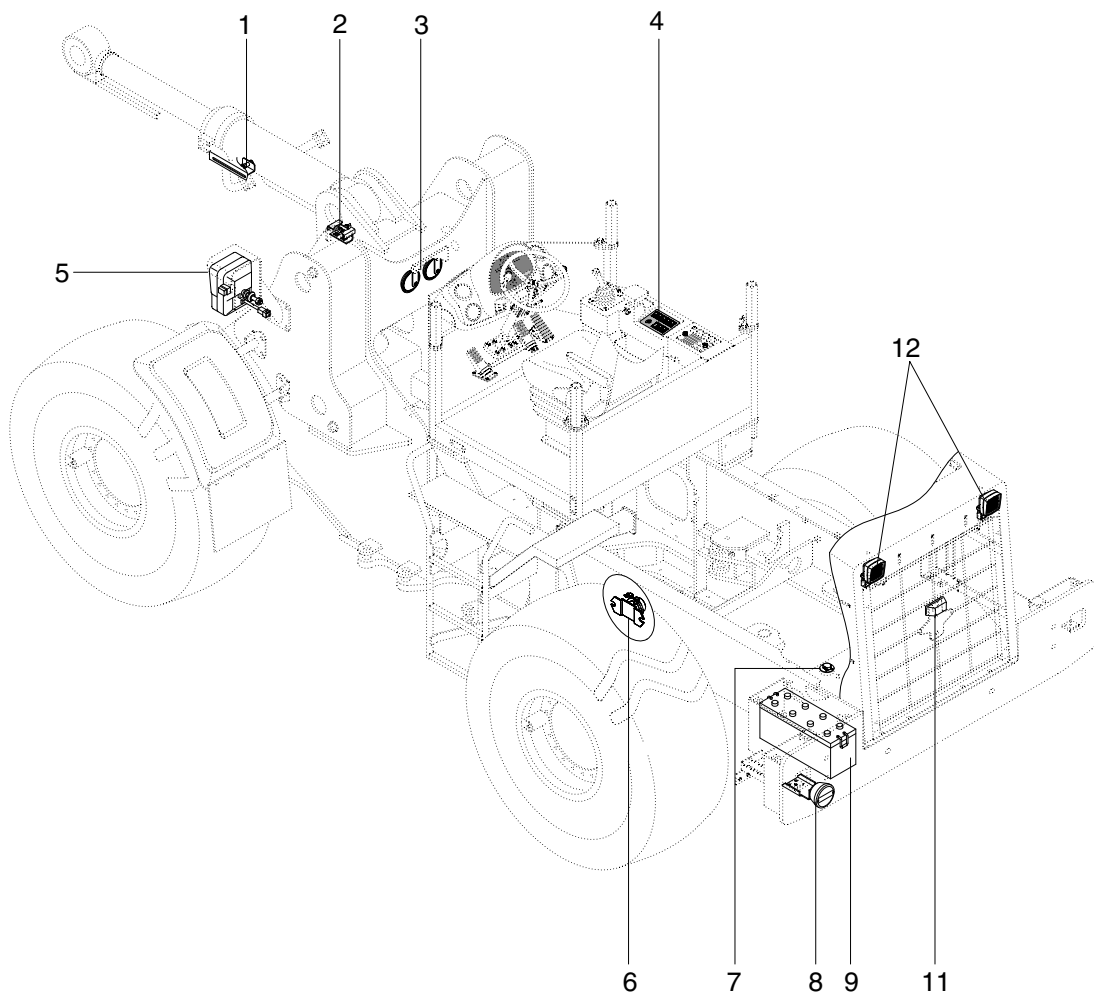
· Cab type (option)



7607B7EL02-1

- | | | | | | |
|---|----------------------------|----|---------------------------|----|----------------------------|
| 1 | Radio & USB player | 9 | AEB switch | 17 | Work load button |
| 2 | Aircon & heater switch | 10 | Kick down switch | 18 | Auto shift select switch |
| 3 | Rear wiper / washer switch | 11 | Starting switch | 19 | Clutch cut off switch |
| 4 | Beacon switch (opt) | 12 | Motor pump switch (opt) | 20 | Fuse box |
| 5 | USB socket | 13 | Ride control switch (opt) | 21 | Relay board |
| 6 | Horn switch | 14 | Buzzer stop switch | 22 | Machine control unit (MCU) |
| 7 | Multi function switch | 15 | Parking brake switch | 23 | T/M control unit (TCU) |
| 8 | Hazard switch | 16 | Main light switch | | |

2. LOCATION 2



7607B7EL02-2

- | | | | | | |
|---|------------------------|---|-----------------|----|-------------------|
| 1 | Proximate switch (opt) | 5 | Head lamp | 9 | Battery |
| 2 | Proximate switch (opt) | 6 | Start relay | 11 | Number plate lamp |
| 3 | Horn | 7 | Fuel sender | 12 | Work lamp |
| 4 | Switch board | 8 | Rear combi lamp | | |