

GROUP 5 CONNECTORS

1. CONNECTOR DESTINATION

Connector number	Type	No. of pin	Destination	Connector part No.	
				Female	Male
CN-1	58	2	I/conn(Frame harness-Main harness)	S813-030200	S813-130200
CN-2	SWP	12	I/conn(Frame harness-Main harness)	S814-012000	S814-112000
CN-3	SWP	8	I/conn(Frame harness-Main harness)	S814-008000	S814-108000
CN-4	SWP	12	I/conn(Frame harness-Engine harness)	S814-012000	S814-112000
CN-5	SWP	8	I/conn(Cab harness-Main harness)	S814-008000	S814-108000
CN-6	SWP	12	I/conn(Gauge harness-Main harness)	S814-012000	S814-112000
CN-7	SWP	14	I/conn(Gauge harness-Main harness)	S814-014000	S814-114000
CN-8	SWP	12	I/conn(Front harness-Main harness)	S814-012000	S814-112000
CN-9	SWP	8	I/conn(T/M check harness-Main harness)	S814-008000	S814-108000
CN-10	SWP	8	I/conn(Cowl harness-Frame harness)	S814-008000	S814-108000
CN-12	SWP	12	I/conn(Gauge harness-Main harness)	S814-012000	S814-112000
CN-13	Fasten	8	I/conn(Main harness-AC AVA Assy)	S810-008202	
CN-15	-	12	I/conn(Main harness-T/M harness)	S814-012000	S814-112000
CN-20	-	2	Horn	35215-0200	
CN-21	-	6	Front wiper motor	6189-0133	
CN-22	-	2	Front washer tank	S814-002000	
CN-23	Shur	1	Speaker(LH)	S822-014000	S822-114004
CN-24	Shur	1	Speaker(RH)	S822-014000	S822-114004
CN-25	-	2	Horn	35215-0200	
CN-26	Fasten	2	Warning buzzer	S810-002202	
CN-27	PA	9	Cassette and radio	S811-009003	
CN-28	-	2	Compressor(Air conditioner)	0297-3407	
CN-29	Grommet	-	Receiver drier	21L7-12000	
CN-30	PA	13	Air conditioner controller	S811-013002	
CN-36	-	20	Fuse box	21L7-10230	
CN-45	Ring term	-	Starter	S820-414000	
CN-48	-	1	Hour meter	S819-010112	
CN-58	-	36	Check unit	344111-1	
CN-60	58	2	Fusible link		S813-130200
CN-65	Shur	1	Back up buzzer	S822-014000	
CN-71	J	2	Parking solenoid	S816-002001	
CN-74	Ring term	-	Alternator	S820-406000	S814-101000
CN-78	Shur	2	Ether	S822-014000	S822-114000
CN-79	Ring term	3	Fuel cut off solenoid	S818-020311	
CN-83	-	2	Air conditioner fan	PH805-02028	
CN-100	J	3	Boom kick out	S816-003001	
CN-101	J	3	Bucket leveler	S816-003001	

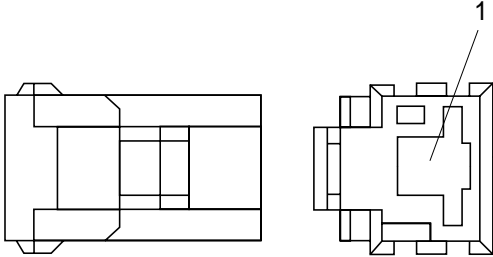
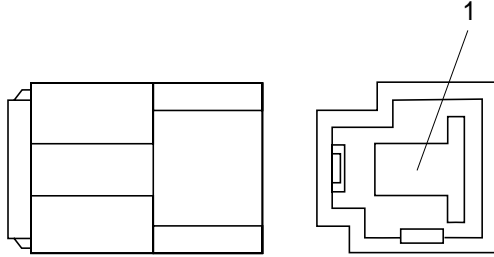
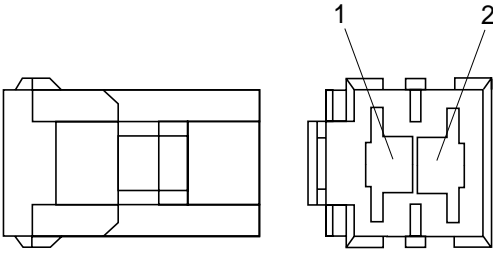
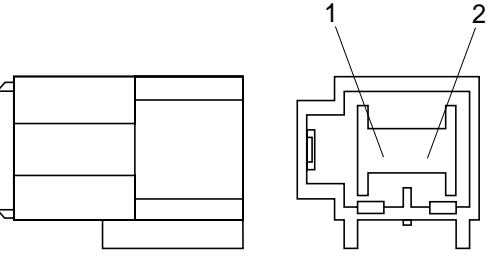
Connector number	Type	No. of pin	Destination	Connector part No.	
				Female	Male
CN-102	-	1	Rear wiper motor	6189-0133	
CN-103	-	2	Rear washer tank	S814-002000	
CN-104	Ring term	-	Volt meter		S821-105000
CN-107	Ring term	-	Fuel gauge		S821-105000
CN-111	Buchse socket	35	Control unit		6029-199-004
CN-112	Buchse socket	6	Transmission WG/PW		6029-199-018
CN-117	Ring term	-	Water temp		S821-105000
CN-119	Ring term	-	Transmission temp		S821-105000
CN-124	SWP	2	Quick coupler solenoid		S814-102000
CN-125	SWP	2	Quick coupler solenoid		S814-102000
CN-127	-	8	Speed meter		1630070
CN-130	-	2	Spare harness		S816-102002
CN-131	-	2	Spare harness	S816-002002	
CN-144	Fasten	8	Joystick	S816-008002	
Relay					
CR-1	Ring term	-	Battery relay	S820-104000	
CR-2	Fasten	4	Horn relay	S810-004202	
CR-4	Fasten	6	Wiper relay	S810-006202	
CR-5	Fasten	4	Safety relay	S810-004202	
CR-7	Fasten	4	Aircon relay	S810-004202	
CR-10	Fasten	6	Bucket leveler relay	S810-006202	
CR-11	Fasten	3	Flasher unit	S810-003702	
CR-23	J	2	Start relay	S816-002003	
CR-26	Fasten	6	Wiper relay 2	S810-006202	
CR-35	Fasten	6	Ride control relay	S810-006202	
CR-38	Fasten	6	Neutral relay	S810-006202	
Switch					
CS-2	SWP	6	Start key switch	S814-006000	
CS-3	SWF	10	Rear wiper switch	593757	
CS-5	Shur	1	Horn switch	S822-014000	
CS-7	SWF	10	Prolix switch	593757	
CS-11	SWP	8	Multi function switch	S814-008000	
CS-12	SWP	6	Multi function switch	S814-006000	
CS-17	SWF	10	Parking switch	593757	
CS-20	SWP	10	Rear work lamp switch	593757	
CS-21	SWF	10	Front work lamp switch	593757	
CS-23	SWF	10	Beacon switch	593757	
CS-30	SWF	10	Ether switch	593757	
CS-34	SWF	10	Buzzer stop switch	593757	
CS-39	SWF	10	Illumination and head lamp switch	593757	

Connector number	Type	No. of pin	Destination	Connector part No.	
				Female	Male
CS-41	SWF	10	Hazard switch	593757	
CS-42	SWF	10	Clutch cut off switch	593757	
CS-43	Fasten	6	Emergency travel switch	S810-006202	
CS-50	SWF	10	Ride control switch	593757	
CS-52	SWF	10	Attachment engage switch	593757	
CS-53	SWF	10	Attachment disengage switch	593757	
CS-54	SWF	10	Air conditioner switch	593757	
CS-58	Fasten	6	Blower switch	S810-006202	
Light					
CL-1	-	2	Room lamp	MG610392	
CL-2	Fasten	3	Cigar lighter	S810-003202	
CL-3	SWP	4	Head light(LH)	S814-004000	
CL-4	SWP	4	Head light(RH)	S814-004000	
CL-5	SWP	2	Work light(LH)	S814-002000	
CL-6	SWP	2	Work light(RH)	S814-002000	
CL-7	Fasten	1	Beacon lamp	S810-001202	
CL-15	SWP	4	Combi lamp(RR, LH)	S814-004000	
CL-16	SWP	4	Combi lamp(RR, RH)	S814-004000	
CL-21	SWP	2	Numberplate lamp	S814-002000	
CL-22	SWP	2	Work light(LH)	S814-002000	
CL-23	SWP	2	Work light(RH)	S814-002000	
CL-24	SWP	2	Turn lamp(LH)	S814-002000	
CL-25	SWP	2	Turn lamp(RH)	S814-002000	
CL-41	SWF	2	Hi beam lamp(Dash board)	913328	
CL-42	SWF	2	Turn lamp(LH, Dash board)	913328	
CL-43	SWF	2	Turn lamp(RH, Dash board)	913328	
CL-44	SWF	2	Parking lamp(Dash board)	913328	
CL-45	SWF	2	Brake fail lamp(Dash board)	913328	
CL-46	SWF	2	Charge lamp(Dash board)	913328	
CL-47	SWF	2	Hydraulic oil lamp(Dash board)	913328	
CL-48	SWF	2	Over heat lamp(Dash board)	913328	
CL-49	SWF	2	Engine oil lamp(Dash board)	913328	
CL-50	SWF	2	Air cleaner lamp(Dash board)	913328	
CL-51	SWF	2	Transmission oil lamp(Dash board)	913328	
CL-52	SWF	2	Glow lamp(Dash board)	913328	
CL-53	SWF	2	Steering pressure lamp	913328	
CL-54	SWF	2	Steering pump pressure lamp	913328	
CL-55	SWF	2	Ride control ON lamp	913328	
CL-56	SWF	2	Ride control Auto lamp	913328	
Sensor, sender					
CD-1	-	1	Hydraulic oil temp sendor	1-150656	

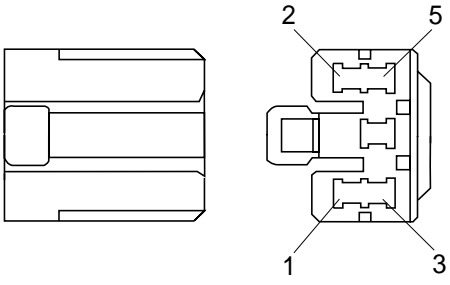
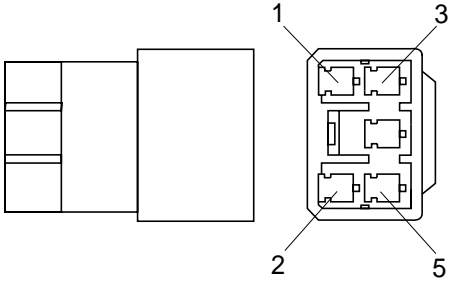
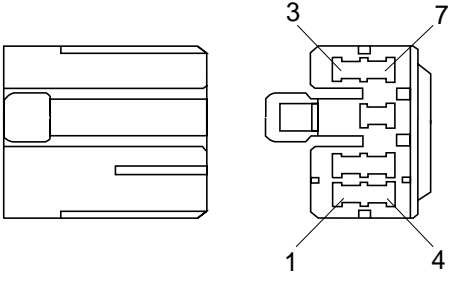
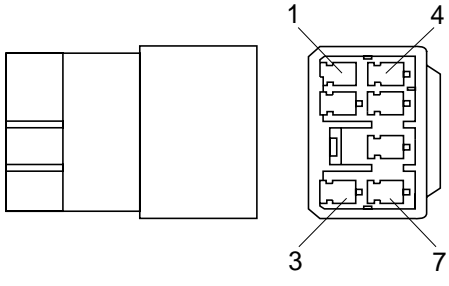
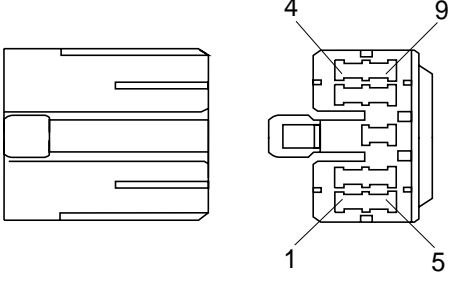
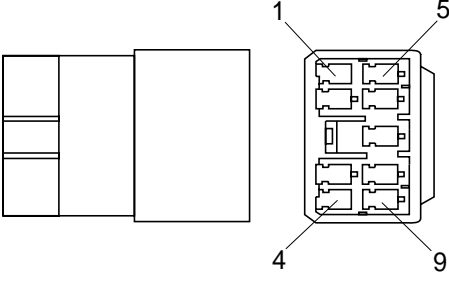
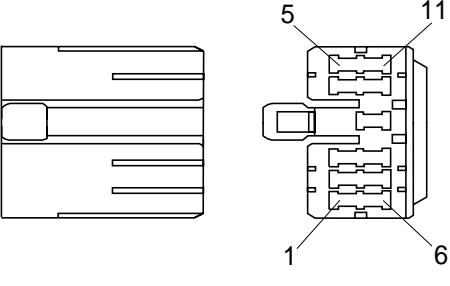
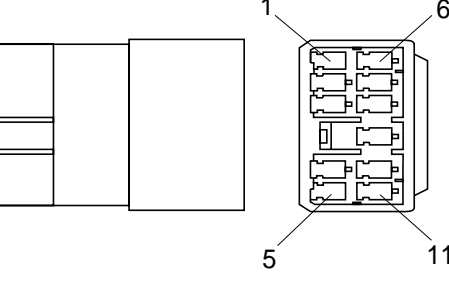
Connector number	Type	No. of pin	Destination	Connector part No.	
				Female	Male
CD-2	SWP	2	Fuel sendor	S814-002000	
CD-3	Rubber cap	-	Brake fail pressure switch	21EA-00310	
CD-4	Rubber cap	-	Stop lamp pressure switch	21EA-00300	
CD-5	Rubber cap	-	Clutch cut off pressure switch	21EA-00310	
CD-8	Ring term	-	Water temp sendor		S820-105000
CD-9	-	1	Over heat switch	21EA-50150	
CD-10	Ring term	2	Air cleaner switch	S814-002000	
CD-11	Rubber cap	-	Back up pressure switch	21EA-00310	
CD-18	-	-	Engine oil pressure switch		S820-105000
CD-25	Rubber cap	-	Transmission oil pressure switch	21EA-00310	
CD-26	Rubber cap	-	Parking oil pressure switch	21EA-00310	
CD-27	Rund stecker	2	Turbine speed sendor	6029-199-002	
CD-29	Ring term	-	Transmission temp sendor		S820-105000
CD-39	Rubber cap	-	Steering pressure switch	21EA-00310	
CD-40	Rubber cap	-	Steering pump pressure switch	21EA-00310	

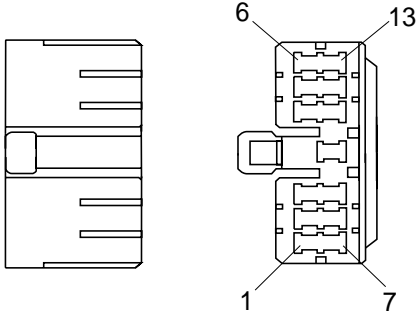
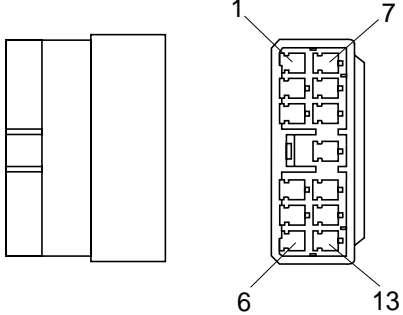
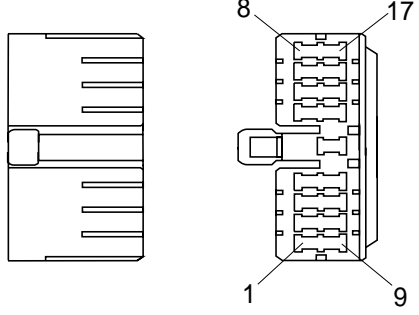
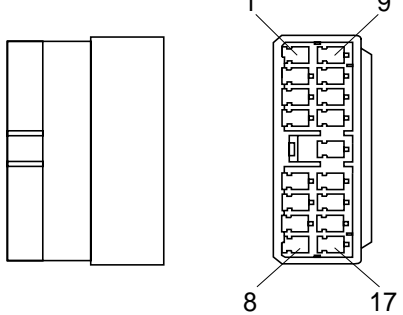
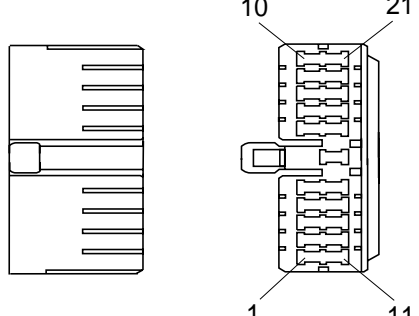
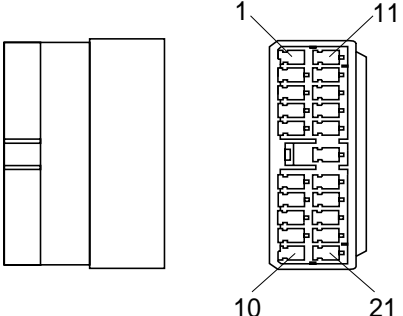
2. CONNECTION TABLE FOR CONNECTORS

1) 58-L TYPE CONNECTOR

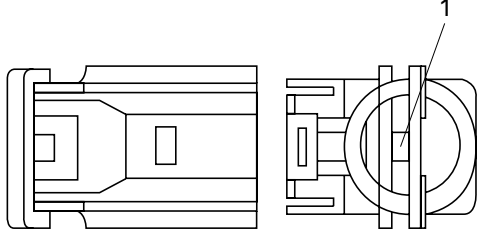
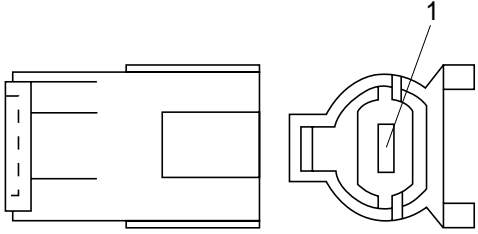
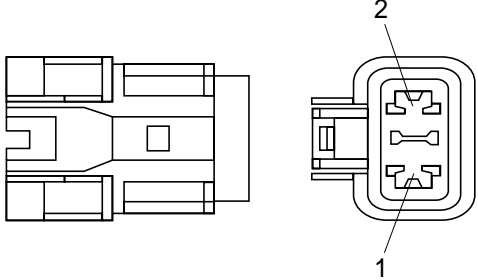
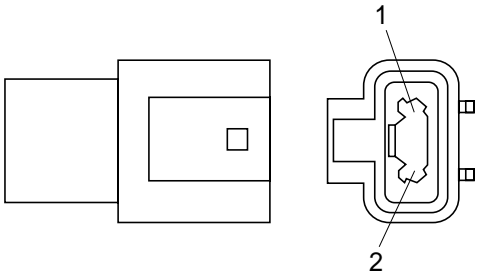
No. of pin	Receptacle connector(Female)	Plug connector(Male)
1	 <p style="text-align: center;">S813-030100</p>	 <p style="text-align: center;">S813-130100</p>
2	 <p style="text-align: center;">S813-030200</p>	 <p style="text-align: center;">S813-130200</p>

2) PA TYPE CONNECTOR

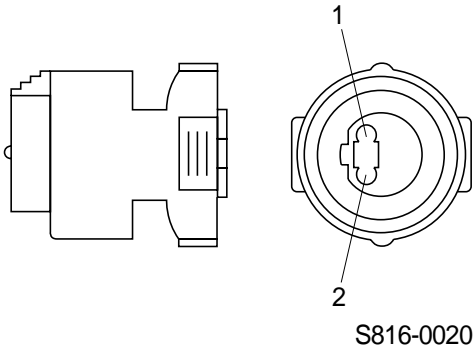
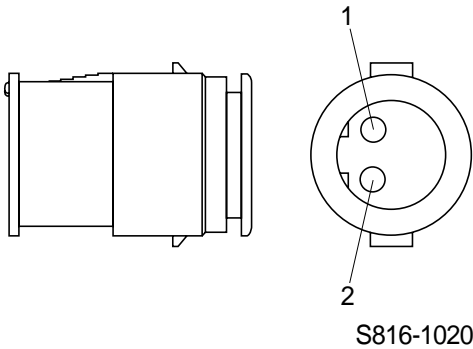
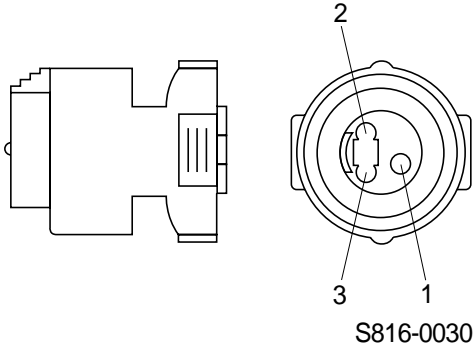
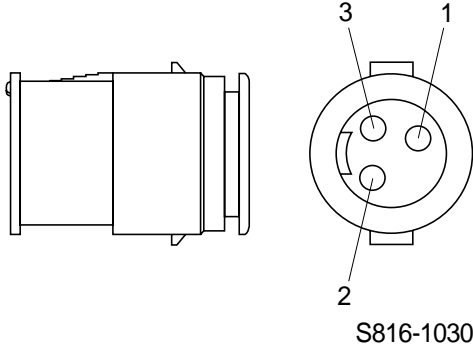
No. of pin	Receptacle connector(Female)	Plug connector(Male)
5	 <p style="text-align: center;">S811-005002</p>	 <p style="text-align: center;">S811-105002</p>
7	 <p style="text-align: center;">S811-007002</p>	 <p style="text-align: center;">S811-107002</p>
9	 <p style="text-align: center;">S811-009002</p>	 <p style="text-align: center;">S811-109002</p>
11	 <p style="text-align: center;">S811-011002</p>	 <p style="text-align: center;">S811-111002</p>

No. of pin	Receptacle connector(Female)	Plug connector(Male)
13	 <p style="text-align: center;">S811-013002</p>	 <p style="text-align: center;">S811-113002</p>
17	 <p style="text-align: center;">S811-017002</p>	 <p style="text-align: center;">S811-117002</p>
21	 <p style="text-align: center;">S811-021002</p>	 <p style="text-align: center;">S811-121002</p>

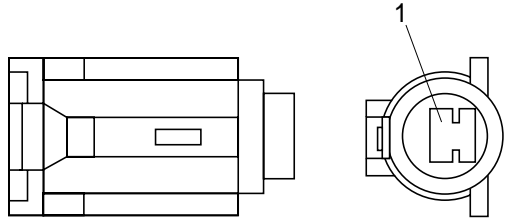
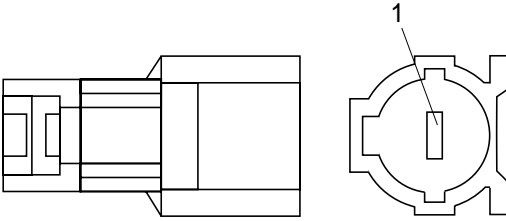
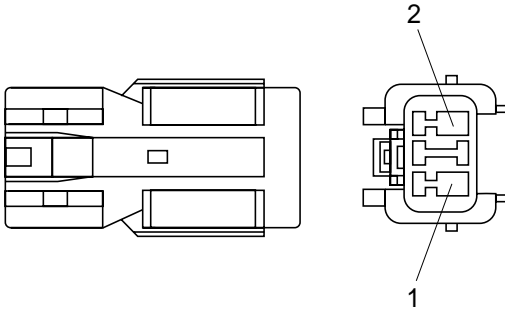
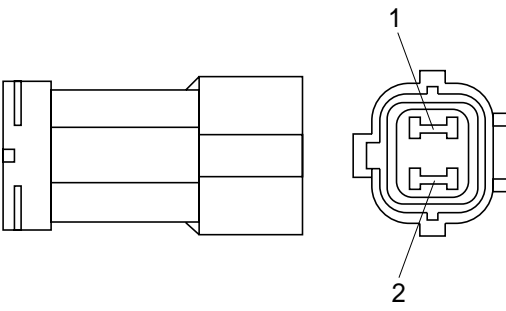
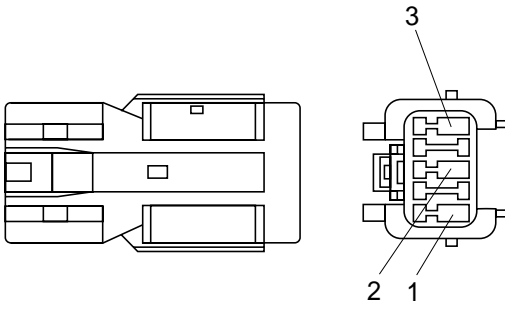
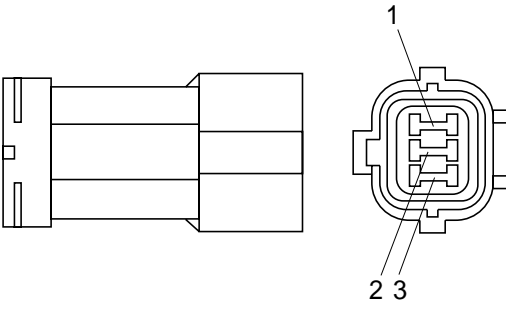
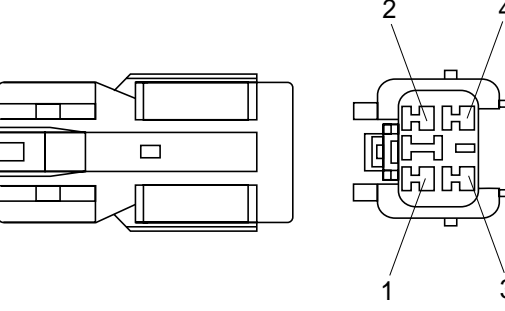
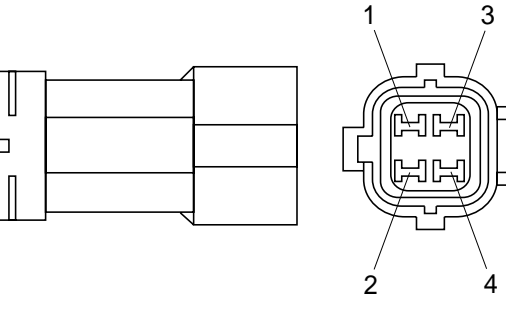
3) 58-X TYPE CONNECTOR

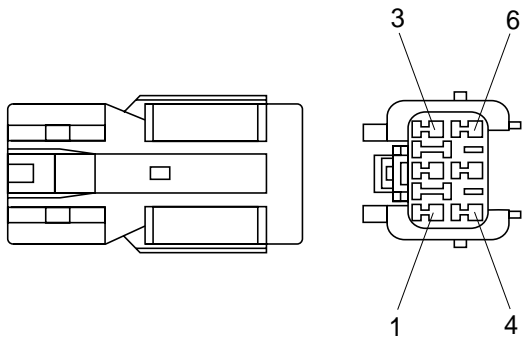
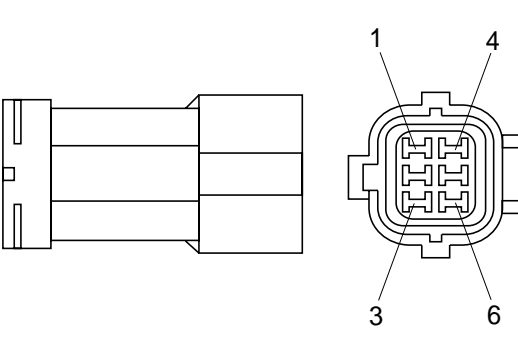
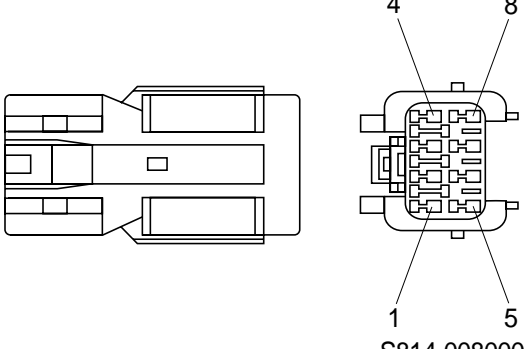
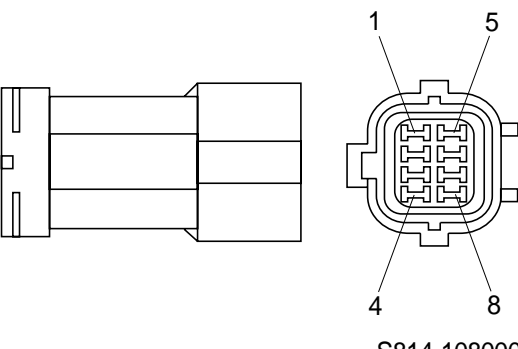
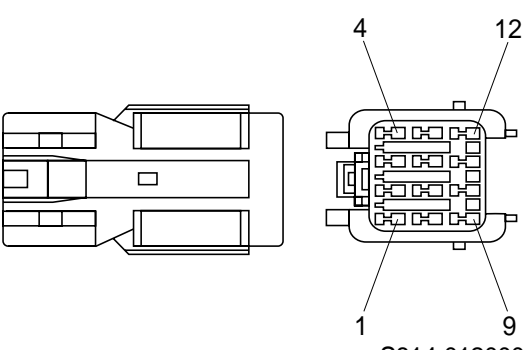
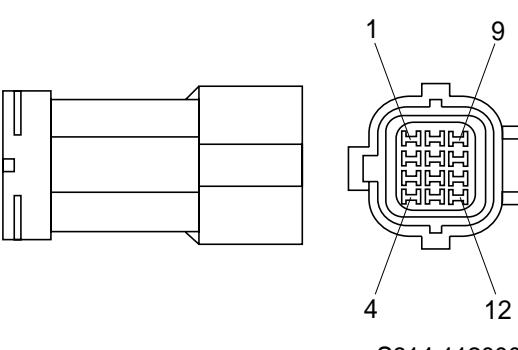
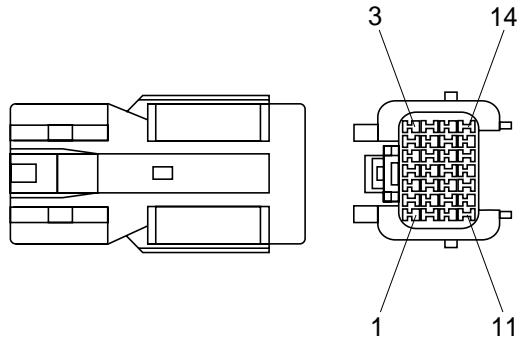
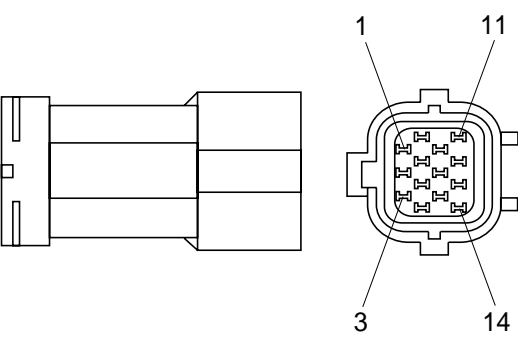
No. of pin	Receptacle connector(Female)	Plug connector(Male)
1	 <p data-bbox="687 680 836 712">S813-060100</p>	 <p data-bbox="1243 680 1391 712">S813-160100</p>
2	 <p data-bbox="687 1088 836 1120">S813-060200</p>	 <p data-bbox="1243 1088 1391 1120">S813-160200</p>

4) J TYPE CONNECTOR

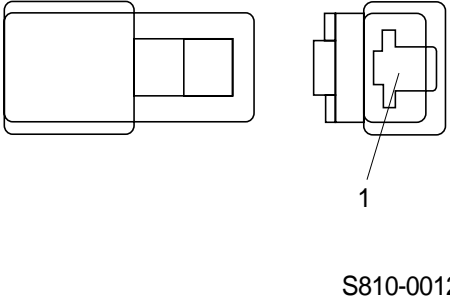
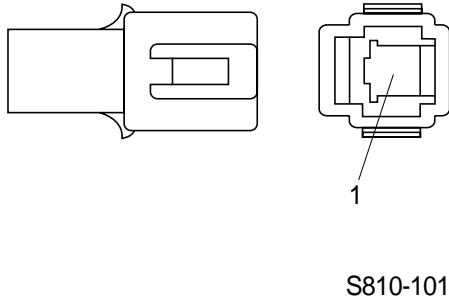
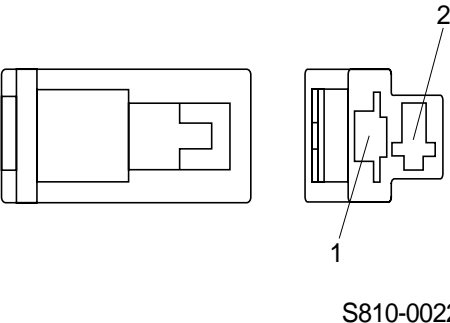
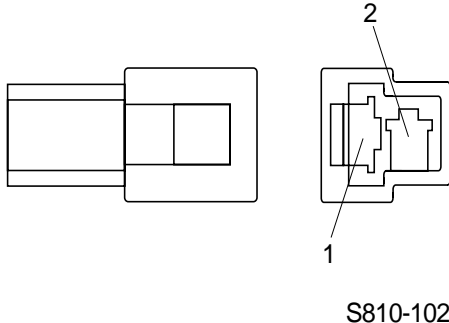
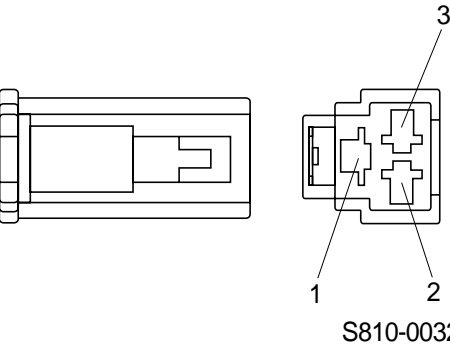
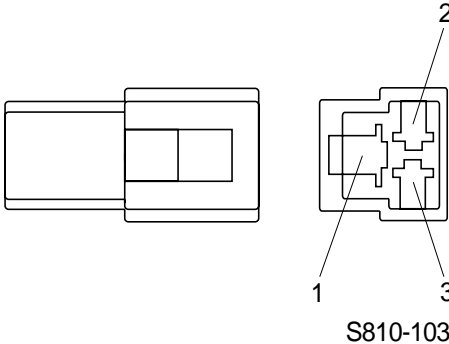
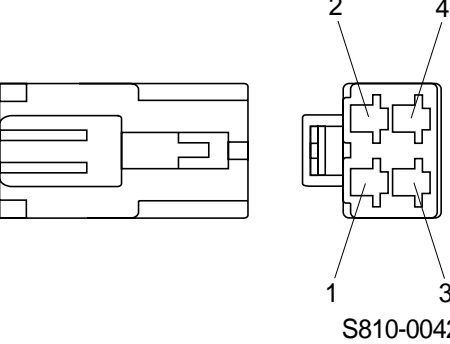
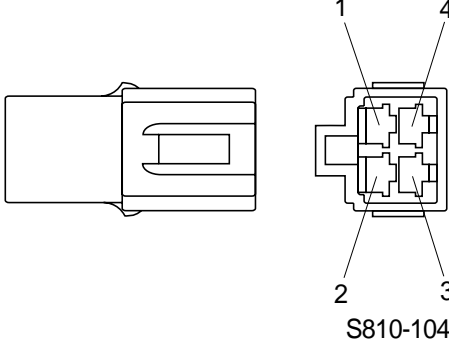
No. of pin	Receptacle connector(Female)	Plug connector(Male)
2	 <p style="text-align: center;">S816-002001</p>	 <p style="text-align: center;">S816-102001</p>
3	 <p style="text-align: center;">S816-003001</p>	 <p style="text-align: center;">S816-103001</p>

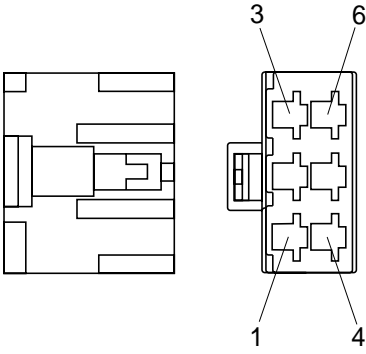
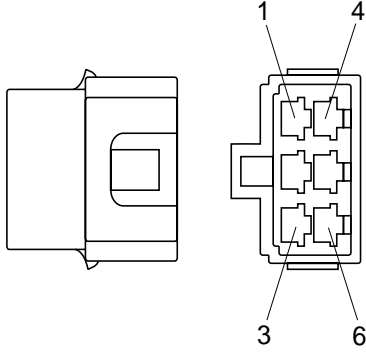
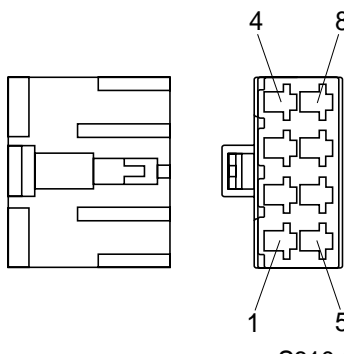
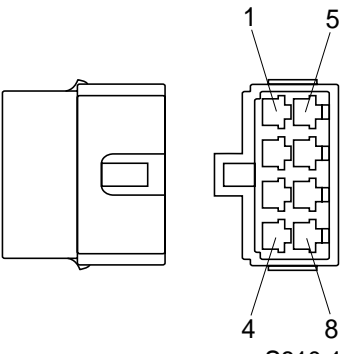
5) SWP TYPE CONNECTOR

No. of pin	Receptacle connector(Female)	Plug connector(Male)
1	 <p data-bbox="687 678 836 707">S814-001000</p>	 <p data-bbox="1241 678 1390 707">S814-101000</p>
2	 <p data-bbox="687 1081 836 1111">S814-002000</p>	 <p data-bbox="1241 1081 1390 1111">S814-102000</p>
3	 <p data-bbox="687 1491 836 1520">S814-003000</p>	 <p data-bbox="1241 1491 1390 1520">S814-103000</p>
4	 <p data-bbox="687 1901 836 1930">S814-004000</p>	 <p data-bbox="1241 1901 1390 1930">S814-104000</p>

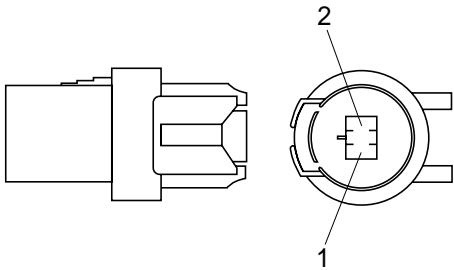
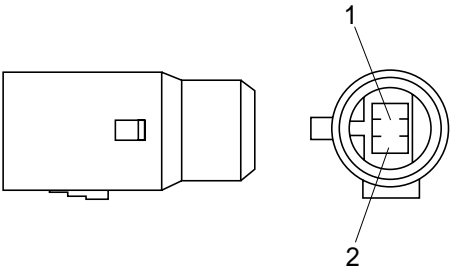
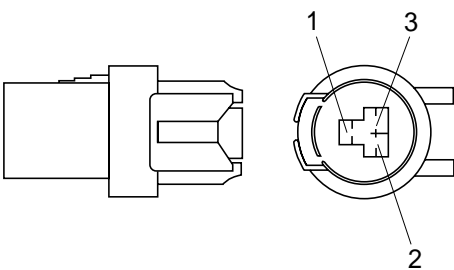
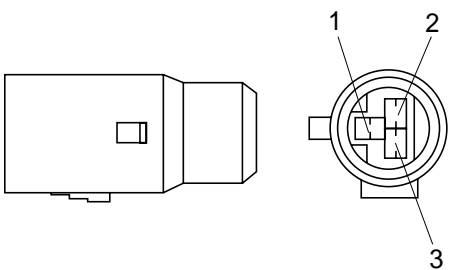
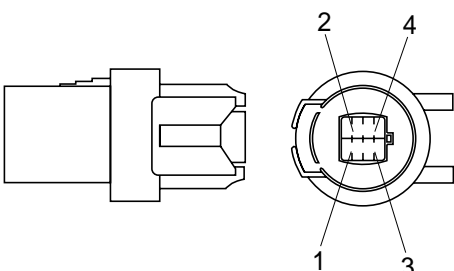
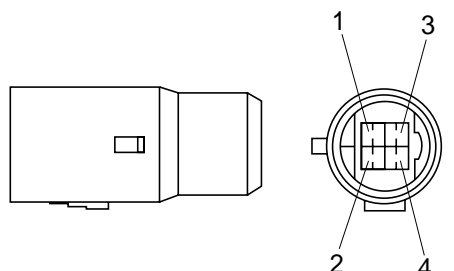
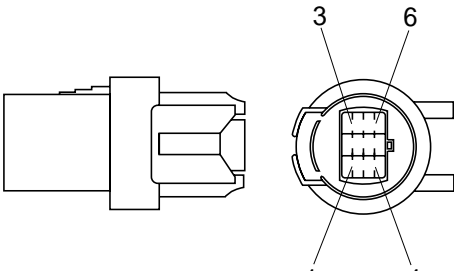
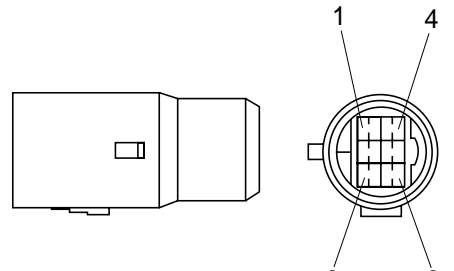
No. of pin	Receptacle connector(Female)	Plug connector(Male)
6	 <p data-bbox="686 638 837 672">S814-006000</p>	 <p data-bbox="1244 638 1396 672">S814-106000</p>
8	 <p data-bbox="686 1052 837 1086">S814-008000</p>	 <p data-bbox="1244 1052 1396 1086">S814-108000</p>
12	 <p data-bbox="686 1456 837 1489">S814-012000</p>	 <p data-bbox="1244 1456 1396 1489">S814-112000</p>
14	 <p data-bbox="686 1859 837 1892">S814-014000</p>	 <p data-bbox="1244 1859 1396 1892">S814-114000</p>

6) CN TYPE CONNECTOR

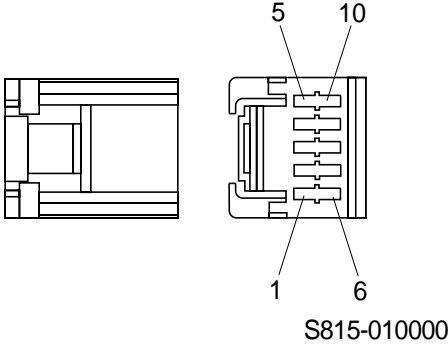
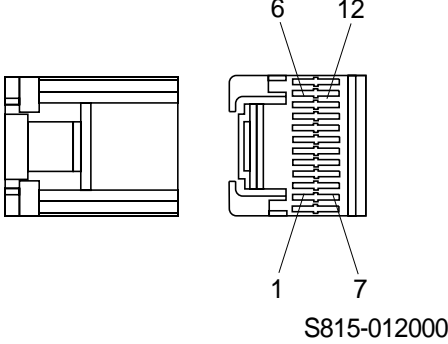
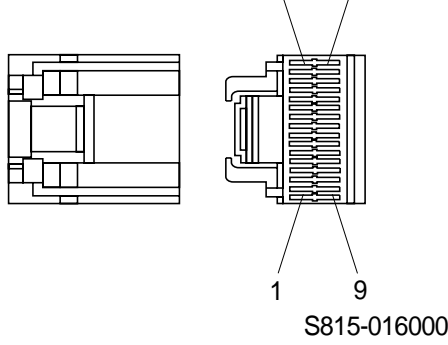
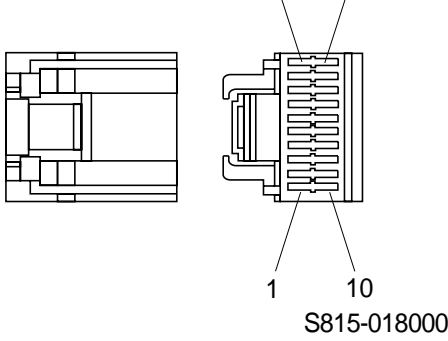
No. of pin	Receptacle connector(Female)	Plug connector(Male)
1	 <p style="text-align: center;">S810-001202</p>	 <p style="text-align: center;">S810-101202</p>
2	 <p style="text-align: center;">S810-002202</p>	 <p style="text-align: center;">S810-102202</p>
3	 <p style="text-align: center;">S810-003202</p>	 <p style="text-align: center;">S810-103202</p>
4	 <p style="text-align: center;">S810-004202</p>	 <p style="text-align: center;">S810-104202</p>

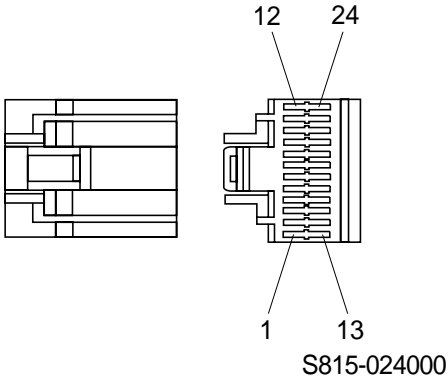
No. of pin	Receptacle connector(Female)	Plug connector(Male)
6	 <p data-bbox="686 638 837 674">S810-006202</p>	 <p data-bbox="1236 638 1388 674">S810-106202</p>
8	 <p data-bbox="686 1048 837 1084">S810-008202</p>	 <p data-bbox="1236 1048 1388 1084">S810-108202</p>

7) BS TYPE CONNECTOR

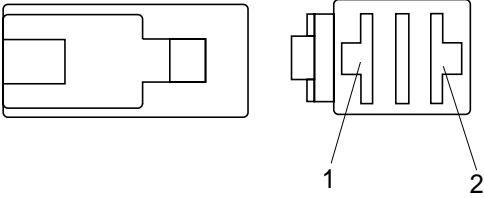
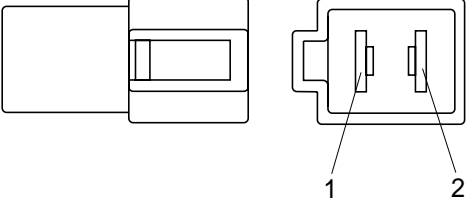
No. of pin	Receptacle connector(Female)	Plug connector(Male)
2	 <p style="text-align: center;">S812-002001</p>	 <p style="text-align: center;">S812-102001</p>
3	 <p style="text-align: center;">S812-003001</p>	 <p style="text-align: center;">S812-103001</p>
4	 <p style="text-align: center;">S812-004001</p>	 <p style="text-align: center;">S812-104001</p>
6	 <p style="text-align: center;">S812-006001</p>	 <p style="text-align: center;">S812-106001</p>

8) LC TYPE CONNECTOR

No. of pin	Receptacle connector(Female)	Plug connector(Male)
10	 <p style="text-align: center;">S815-010000</p>	
12	 <p style="text-align: center;">S815-012000</p>	
16	 <p style="text-align: center;">S815-016000</p>	
18	 <p style="text-align: center;">S815-018000</p>	

No. of pin	Receptacle connector(Female)	Plug connector(Male)
24	 <p style="text-align: center;">S815-024000</p>	

9) 375 FASTEN TYPE CONNECTOR

No. of pin	Receptacle connector(Female)	Plug connector(Male)
2	 <p data-bbox="689 680 839 712">S810-002402</p>	 <p data-bbox="1246 680 1396 712">S810-102402</p>