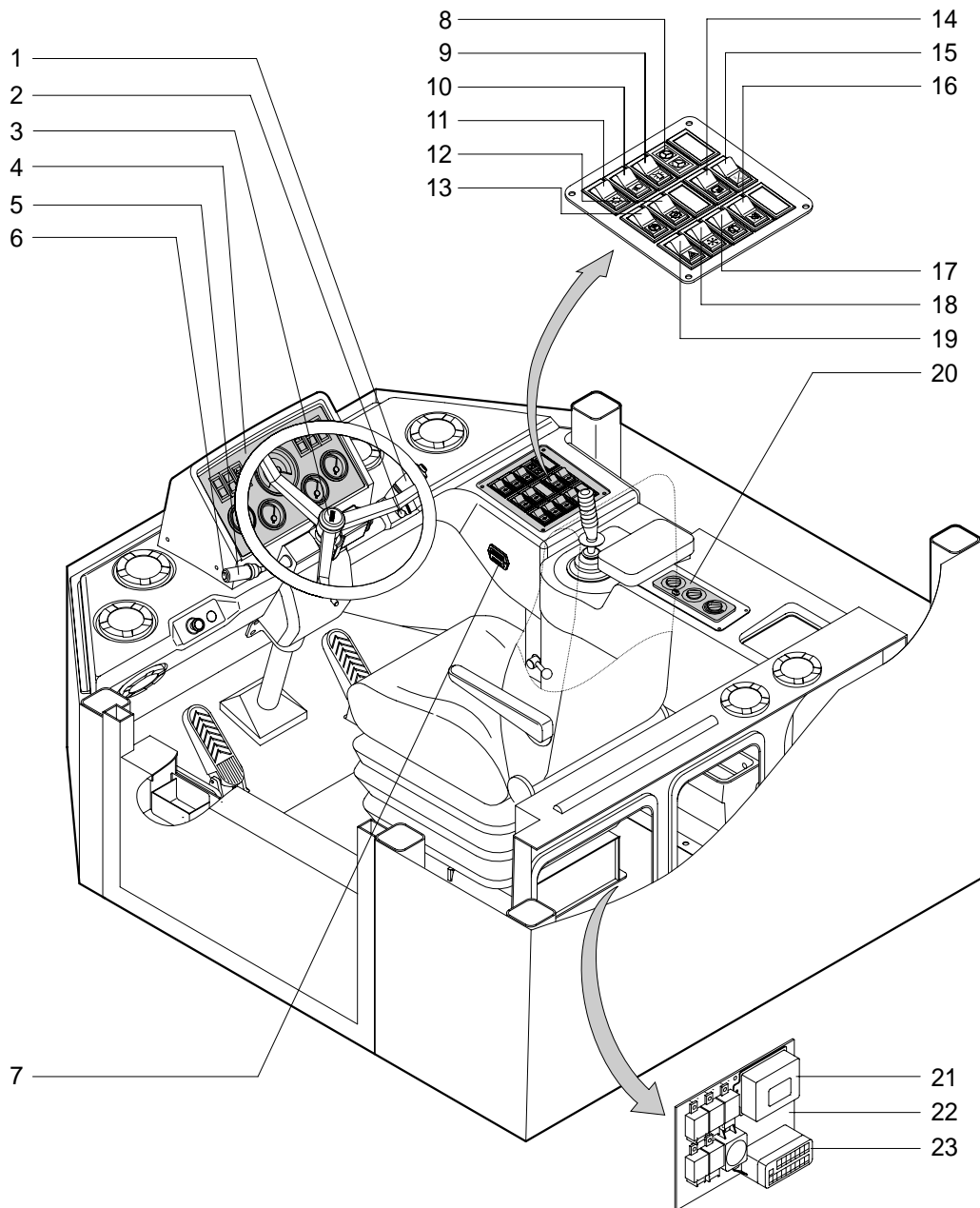


SECTION 7 ELECTRICAL SYSTEM

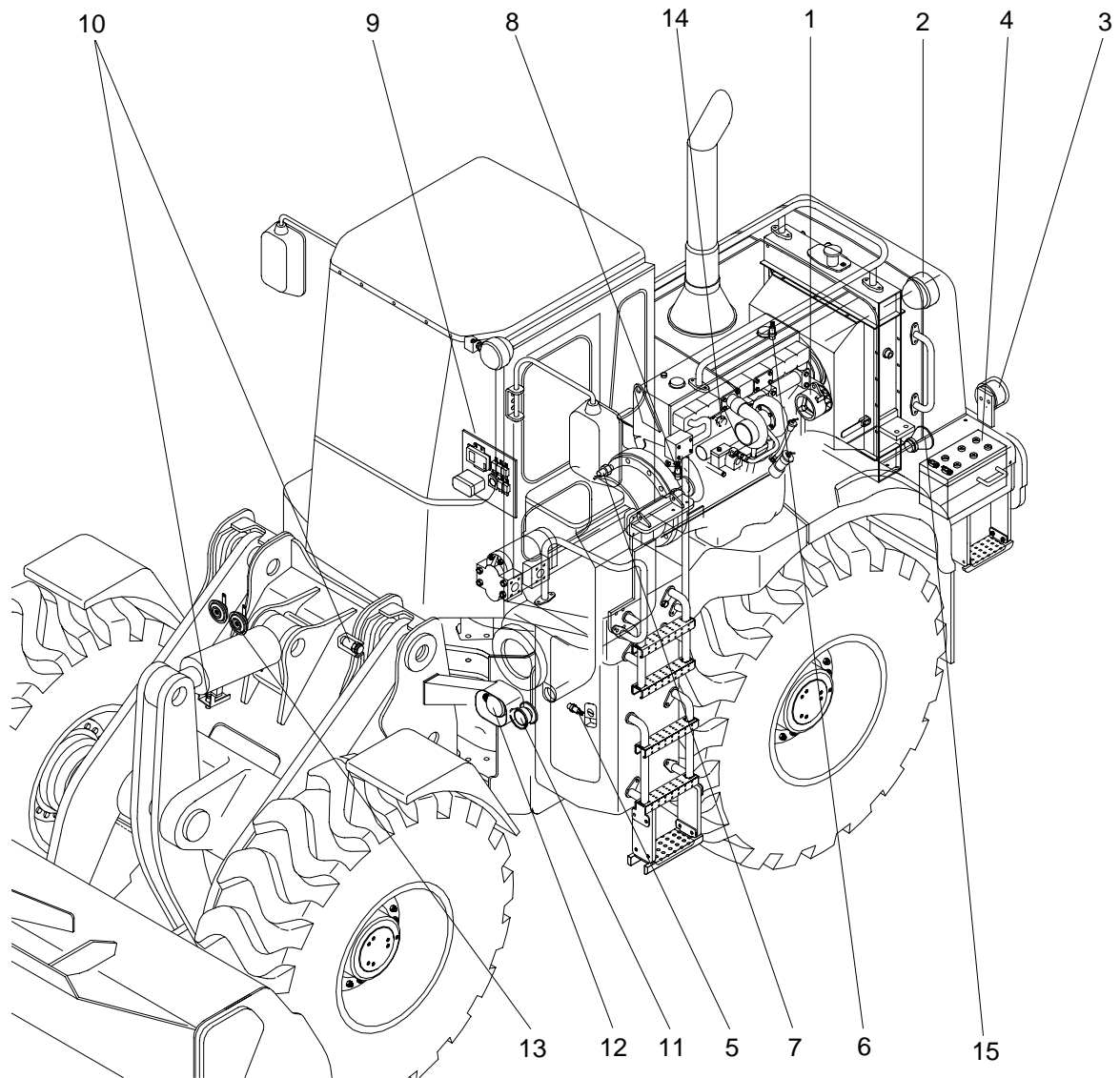
GROUP 1 COMPONENT LOCATION

1. LOCATION 1



- | | | | | | |
|---|---|----|-----------------------------|----|--------------------------|
| 1 | Multi function switch | 9 | Beacon switch(Optional) | 17 | Rear wiper/washer switch |
| 2 | Starting switch | 10 | Work lamp switch | 18 | Air conditioner switch |
| 3 | Horn button | 11 | Main light switch | 19 | Hazard switch |
| 4 | Cluster | 12 | Clutch cut off switch | 20 | Aircon & heater switch |
| 5 | EGS lever | 13 | Parking brake switch | 21 | Check unit |
| 6 | Kick down switch | 14 | Cold start switch(Optional) | 22 | Relay board |
| 7 | Service meter | 15 | EGS prolix switch | 23 | Fuse box |
| 8 | Emergency steering pilot lamp(Optional) | 16 | Buzzer stop switch | | |

2. LOCATION 2



- | | | | | | |
|---|-----------------------|----|----------------------------|----|----------------------------|
| 1 | Alternator | 6 | Coolant temp sensor | 11 | Front combination lamp |
| 2 | Light | 7 | T/M temp sensor | 12 | Light |
| 3 | Rear combination lamp | 8 | Clutch oil pressure switch | 13 | Air horn |
| 4 | Battery | 9 | Relay board | 14 | Engine oil pressure switch |
| 5 | Overheat switch | 10 | Proximate switch | 15 | Back up buzzer |