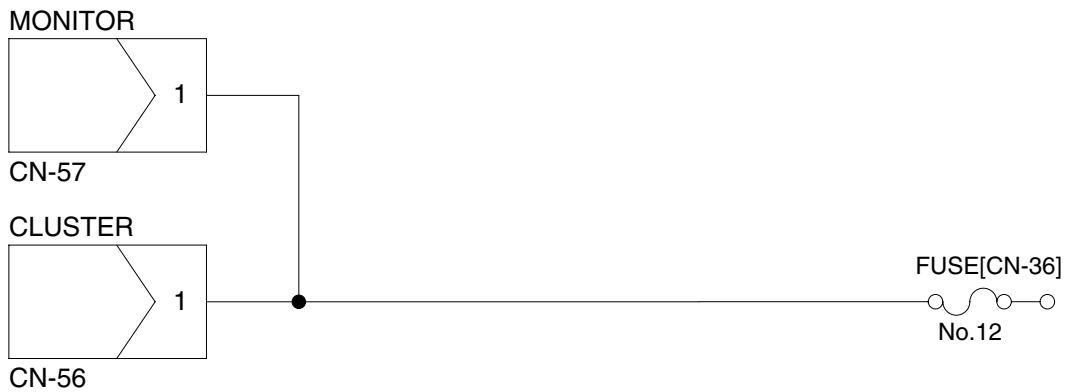


## GROUP 6 TROUBLESHOOTING

### 1. WHEN STARTING SWITCH IS TURNED ON, CLUSTER AND MONITOR LAMP DOES NOT LIGHT UP

- Before carrying out below procedure, check all the related connectors are properly inserted and the fuse [CN-36] No.12 is not blown out and ON/OFF of bulb.
- After checking, connect the disconnected connectors again immediately unless otherwise specified.

|   | Cause  | Remedy                          |
|---|--|---------------------------------|
| Check voltage between CN-56 (1), CN-57(1) and chassis | Defective cluster  | Replace                         |
|   | Defective monitor  | Replace                         |
|   | Disconnection in wiring harness or poor contact between CN-56 (1), CN-57 (1) and fuse No. 12 | Repair or replace (after clean) |



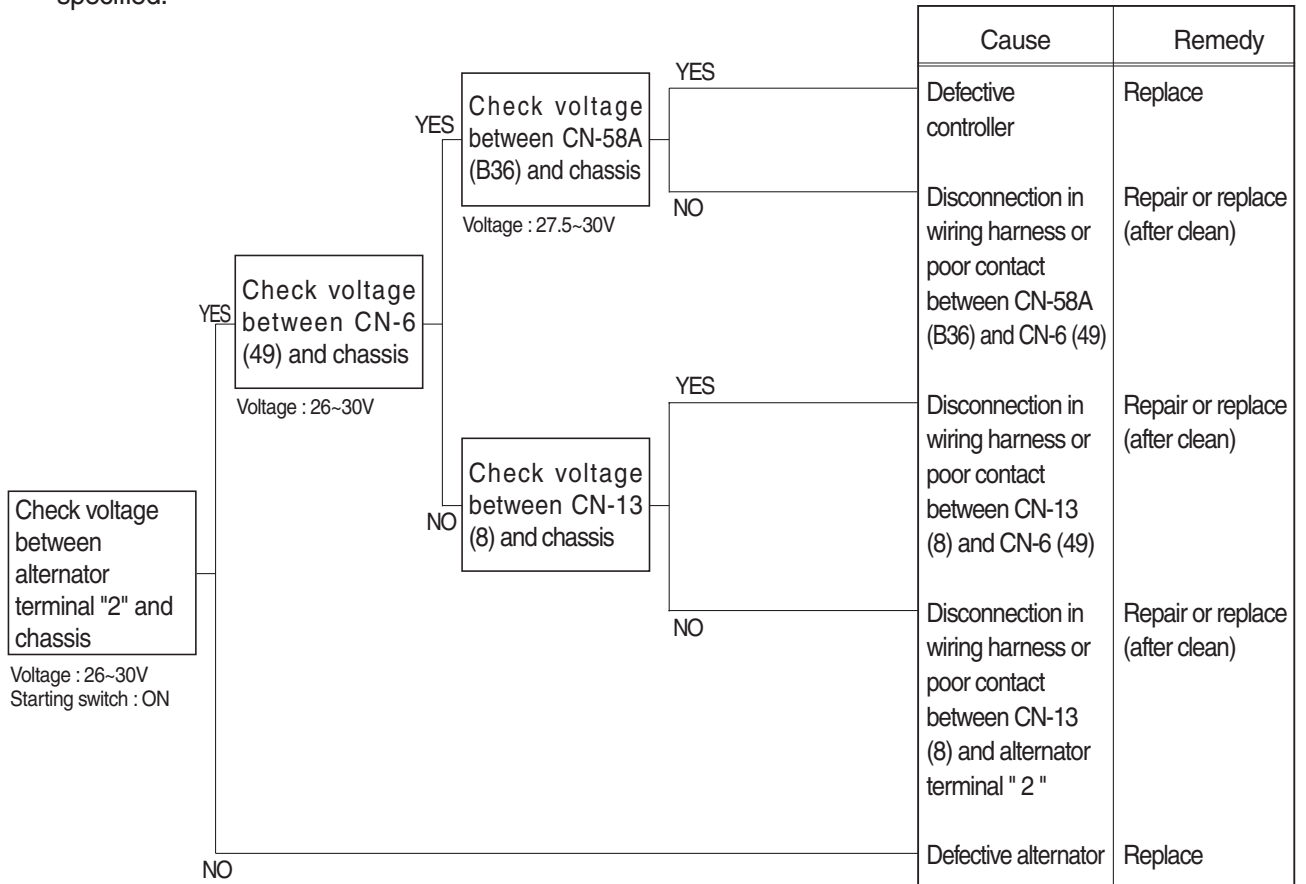
Check voltage

|     |           |
|-----|-----------|
| YES | 20 ~ 30 V |
| NO  | 0 V       |

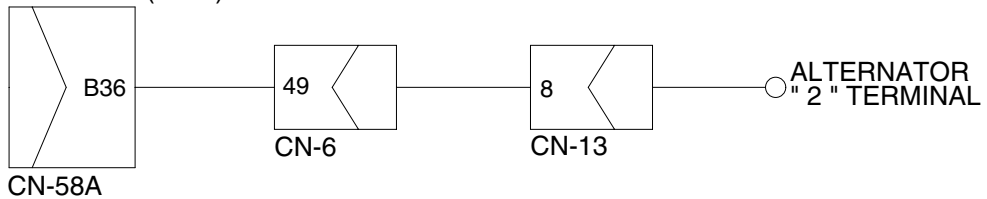
7609A7EL24

2.  **WHEN BATTERY LAMP LIGHTS UP (engine is started)**

- Before carrying out below procedure, check all the related connectors are properly inserted.
- After checking, connect the disconnected connectors again immediately unless otherwise specified.



**CONTROLLER(MCU)**



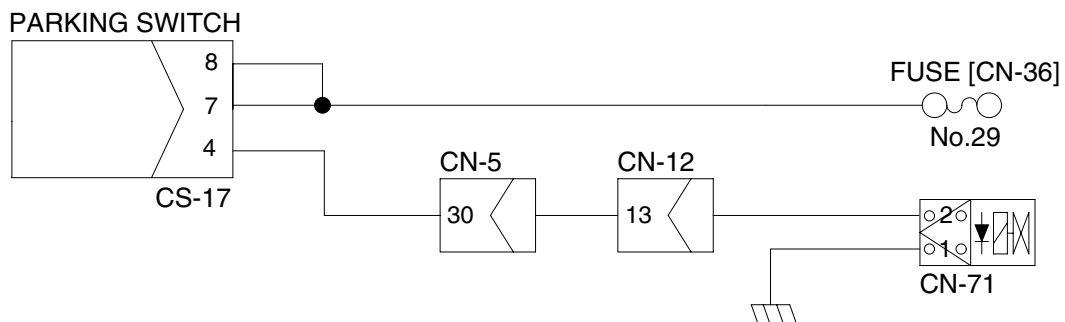
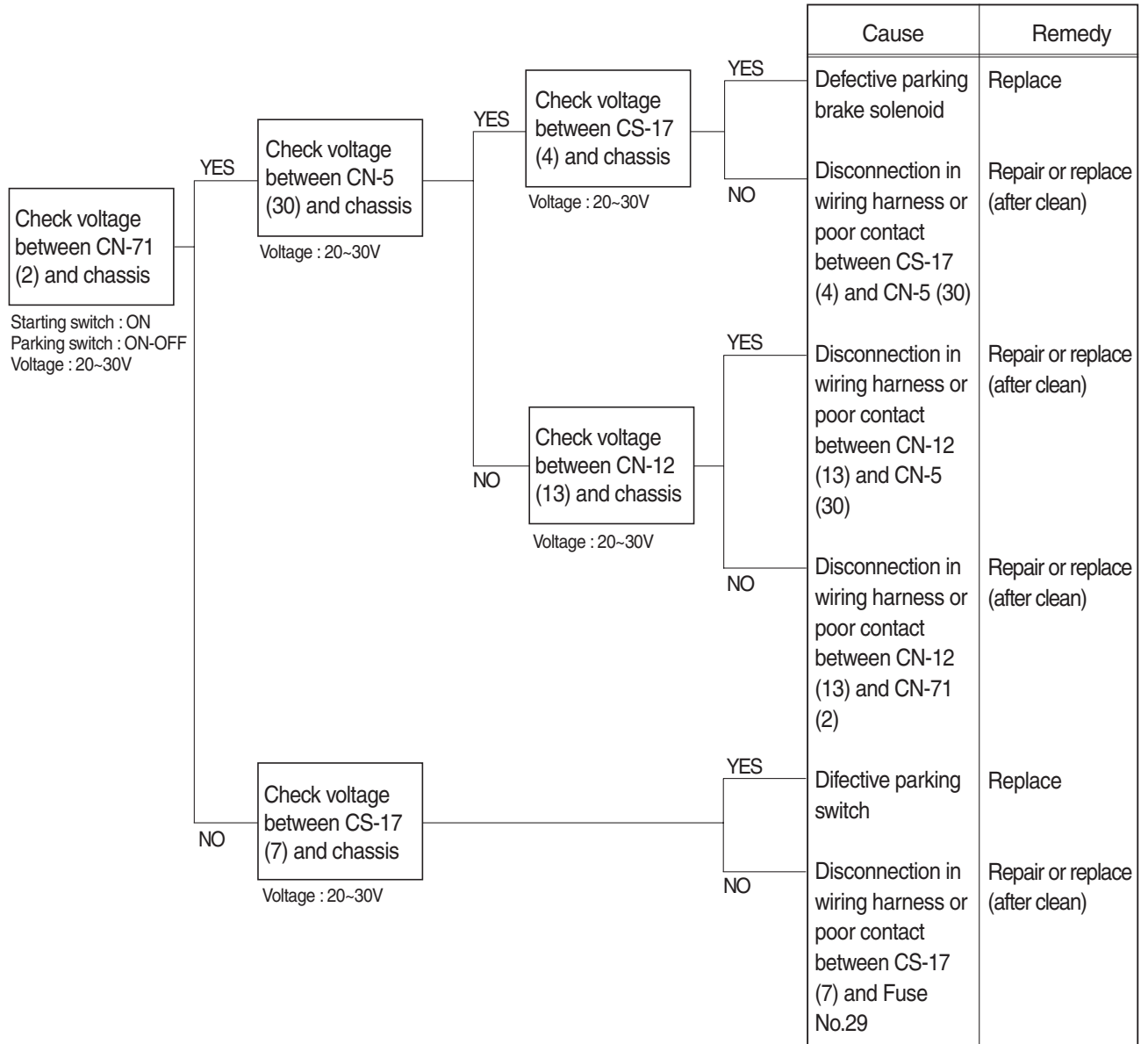
Check voltage

|     |           |
|-----|-----------|
| YES | 20 ~ 30 V |
| NO  | 0 V       |

75797EL30

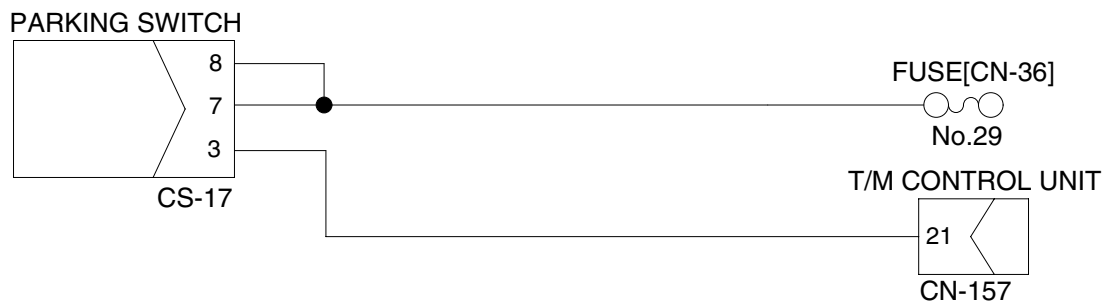
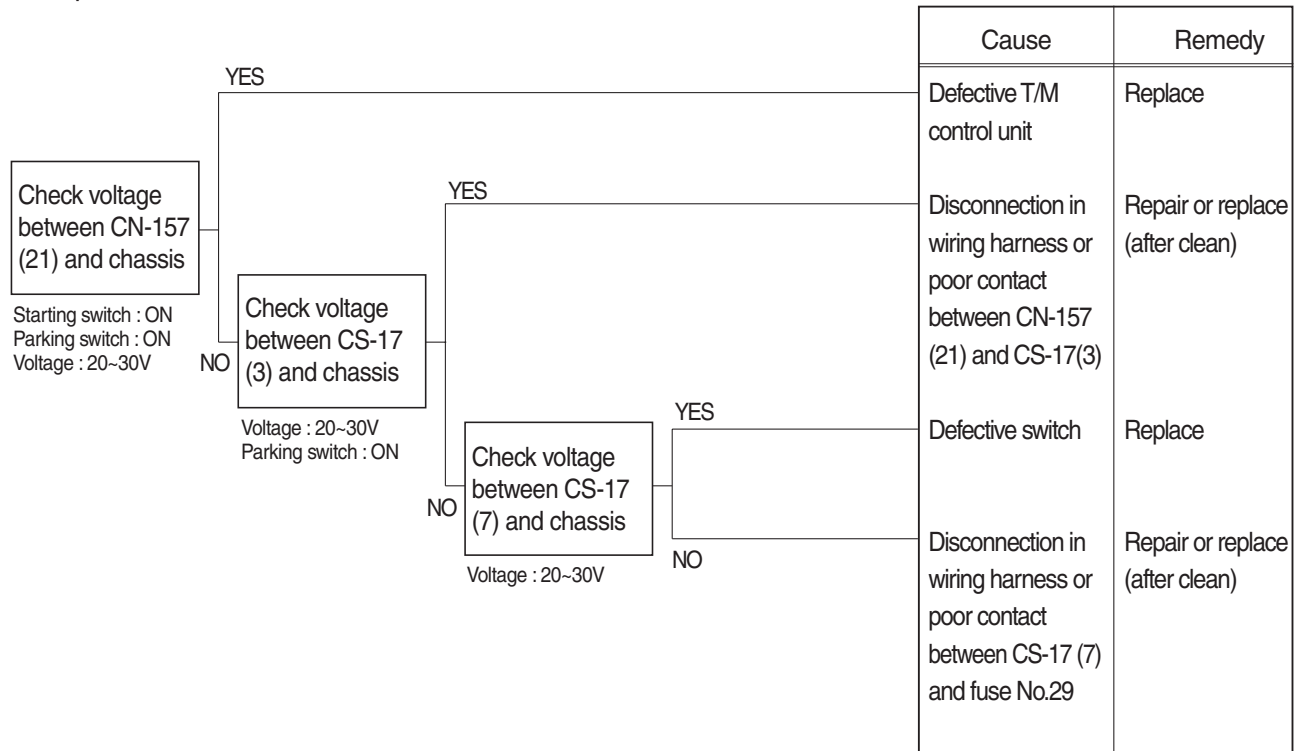
### 3. WHEN PARKING SOLENOID DOES NOT WORK

- Before carrying out below procedure, check all the related connectors are properly inserted and the fuse [CN-36] No.29 is not blown out.
- After checking, connect the disconnected connectors again immediately unless otherwise specified.



#### 4. TRANSMISSION IS NOT RETURNED TO NEUTRAL WHEN PARKING BRAKE IS APPLIED

- Before carrying out below procedure, check all the related connectors are properly inserted and the fuse [CN-36] No.29 is not blown out.
- After checking, connect the disconnected connectors again immediately unless otherwise specified.



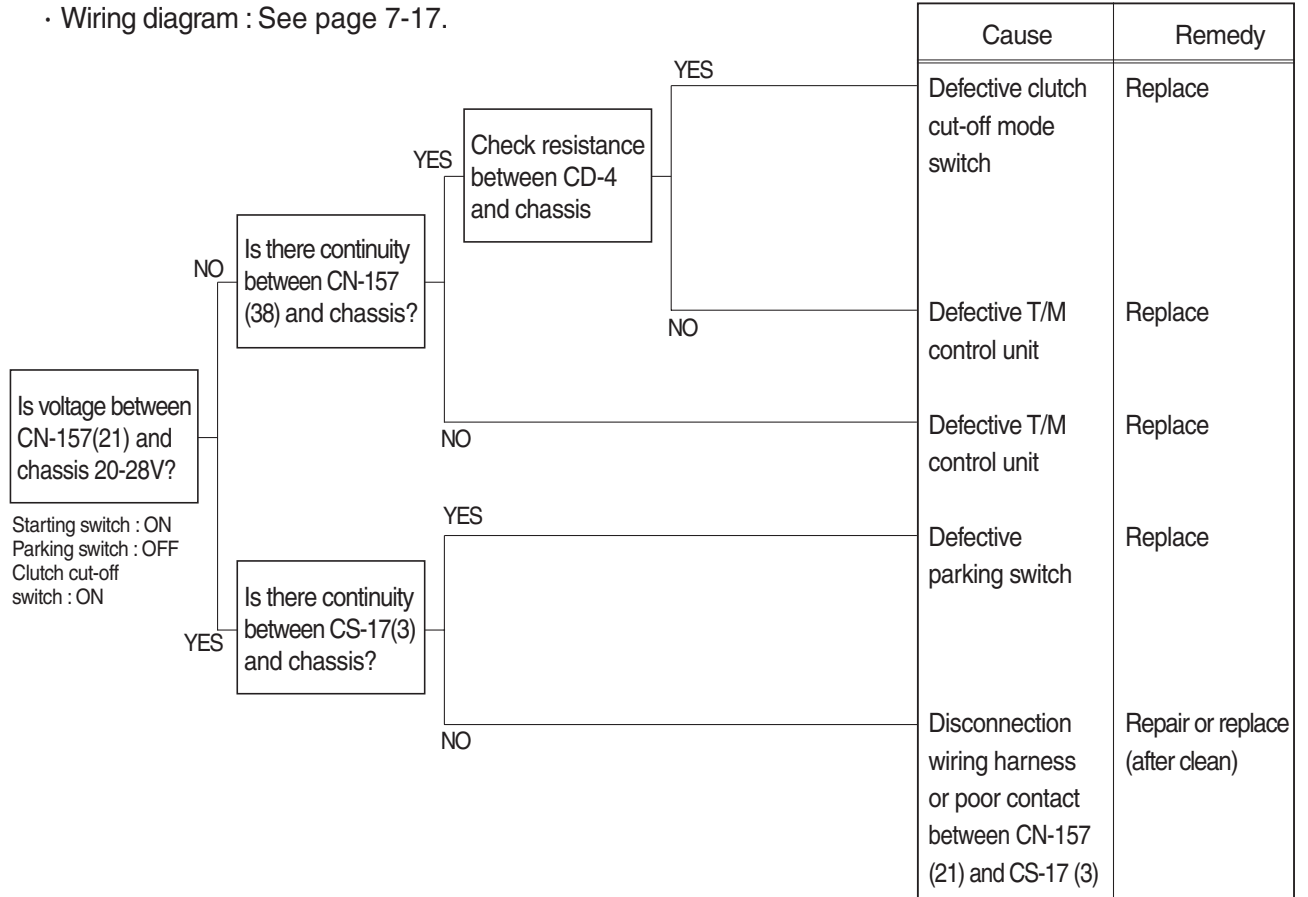
Check resistance

|     |          |
|-----|----------|
| YES | MAX 1 Ω  |
| NO  | MIN 1M Ω |

7609A7EL32

## 5. MACHINE DOES NOT TRAVEL

- Before carrying out below procedure, check all the related connectors are properly inserted and the fuse [CN-36] No.11 (transmission controller) is not blown out.
- After checking, connect the disconnected connectors again immediately unless otherwise specified.
- Wiring diagram : See page 7-17.

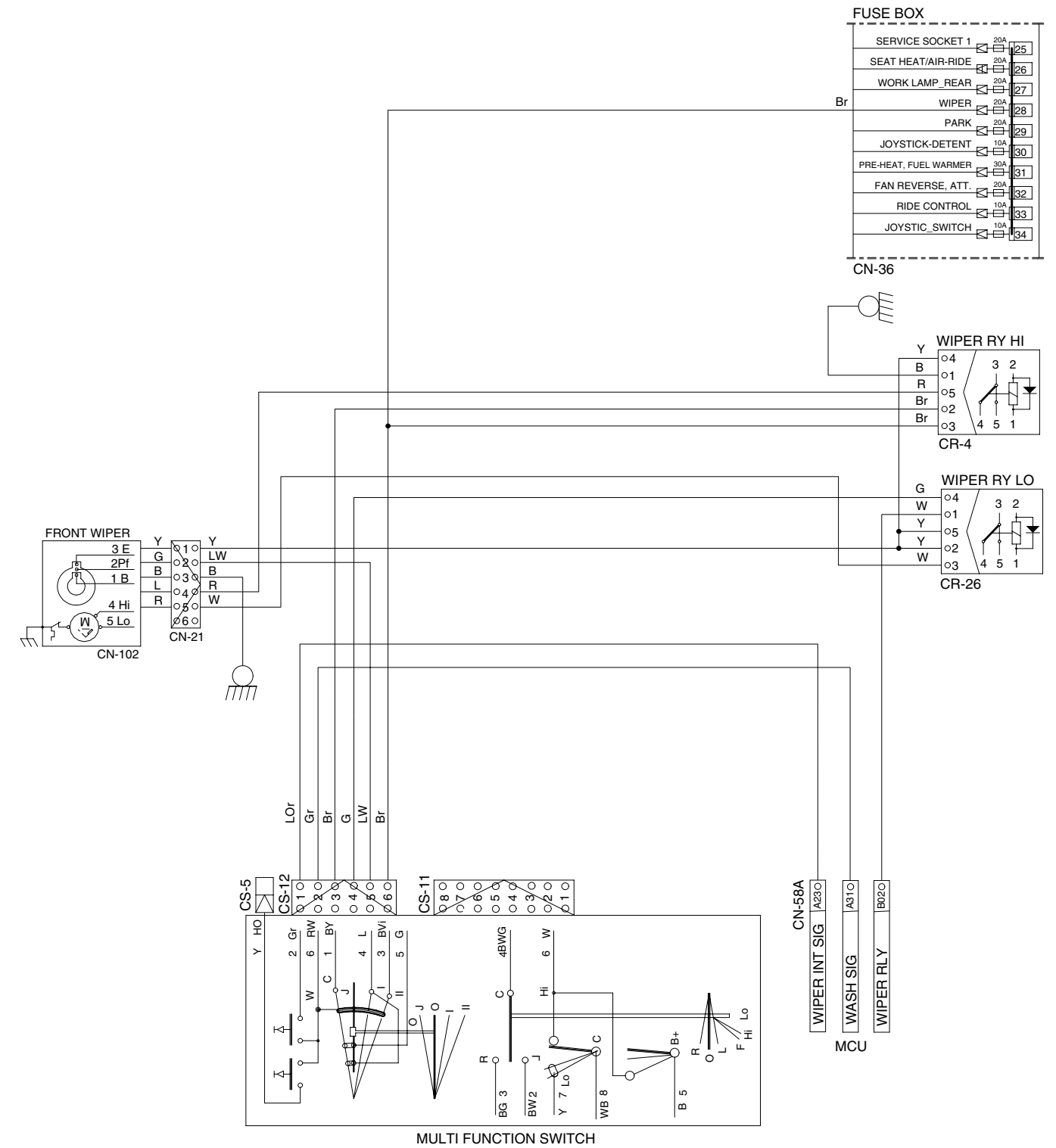
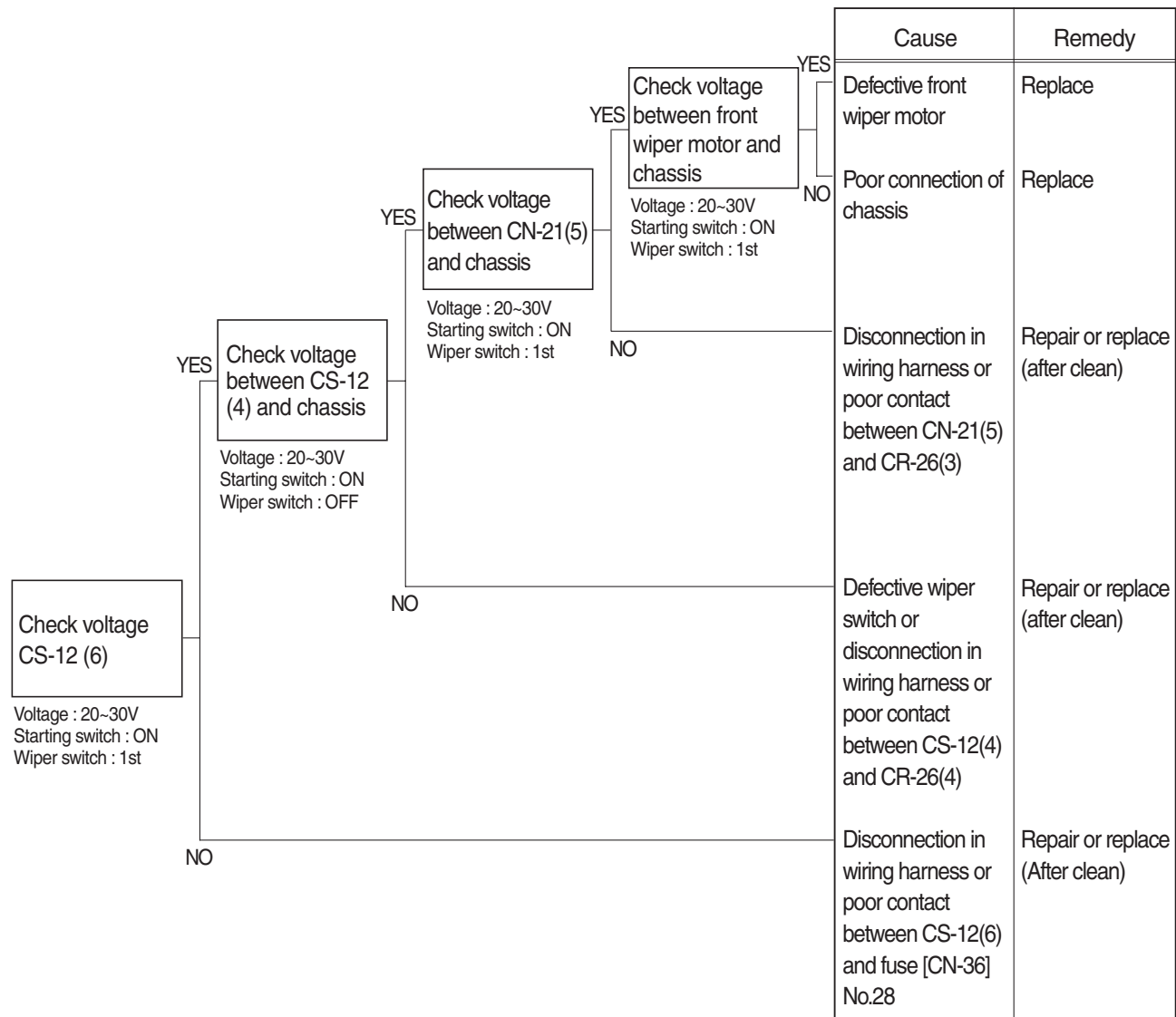


### Check resistance

|     |                 |
|-----|-----------------|
| YES | MAX 1 $\Omega$  |
| NO  | MIN 1M $\Omega$ |

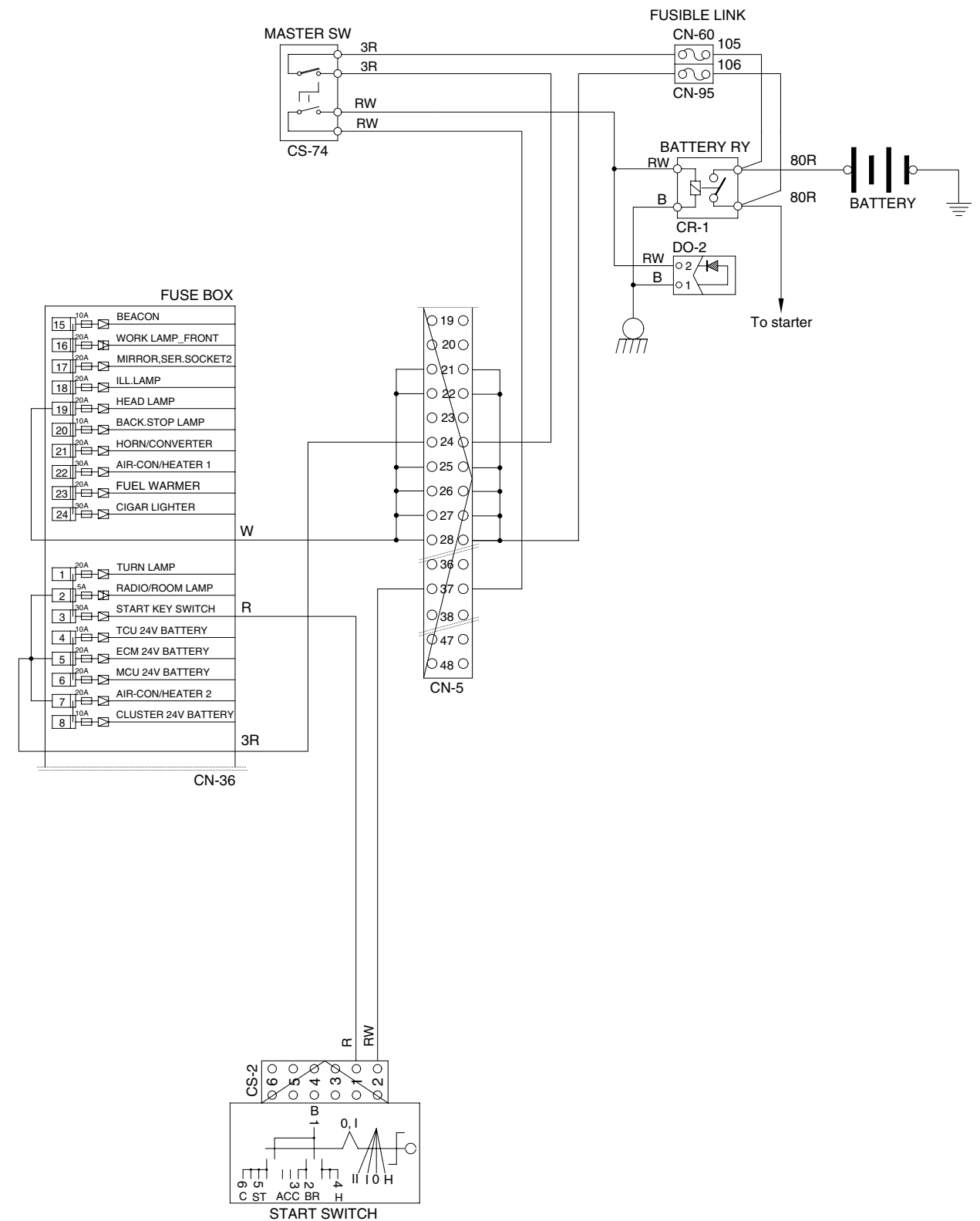
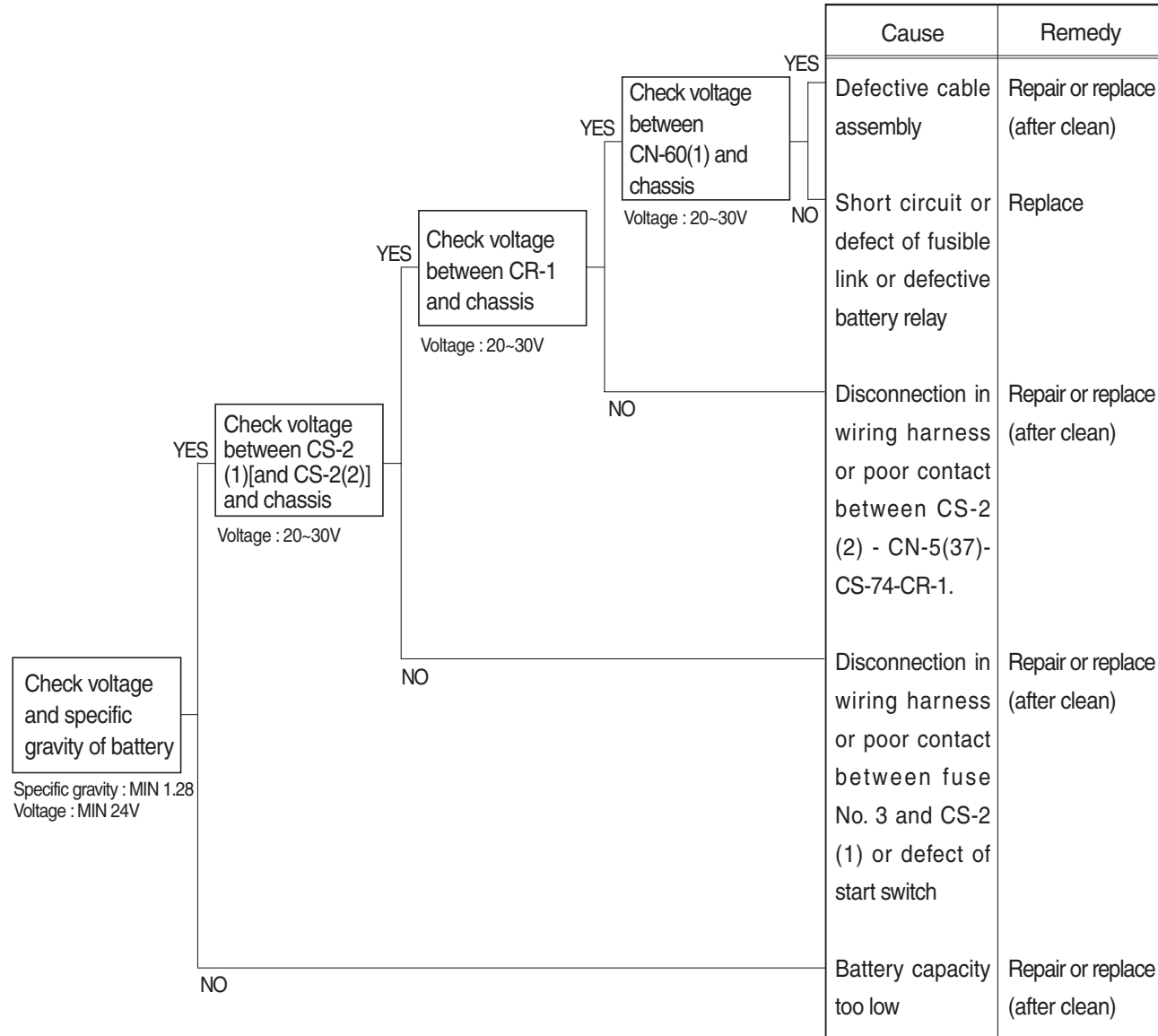
## 6. WHEN STARTING SWITCH IS TURNED ON, WIPER MOTOR DOES NOT OPERATE

- Before carrying out below procedure, check all the related connectors are properly inserted and the fuse No.28 is not blown out.
- After checking, connect the disconnected connectors again immediately unless otherwise specified.



## 7. WHEN STARTING SWITCH "ON" DOES NOT OPERATE

- Before carrying out below procedure, check all the related connectors are properly inserted and and the fuse No.3 is not blown out.
- After checking, connect the disconnected connectors again immediately unless otherwise specified.



## 8. WHEN STARTING SWITCH IS TURNED ON, WORK LAMP DOES NOT LIGHTS UP

- Before carrying out below procedure, check all the related connectors are properly inserted, and the fuse [CN-36] No. 16, 27 is not blown out.
- After checking, connect the disconnected connectors again immediately unless otherwise specified.

