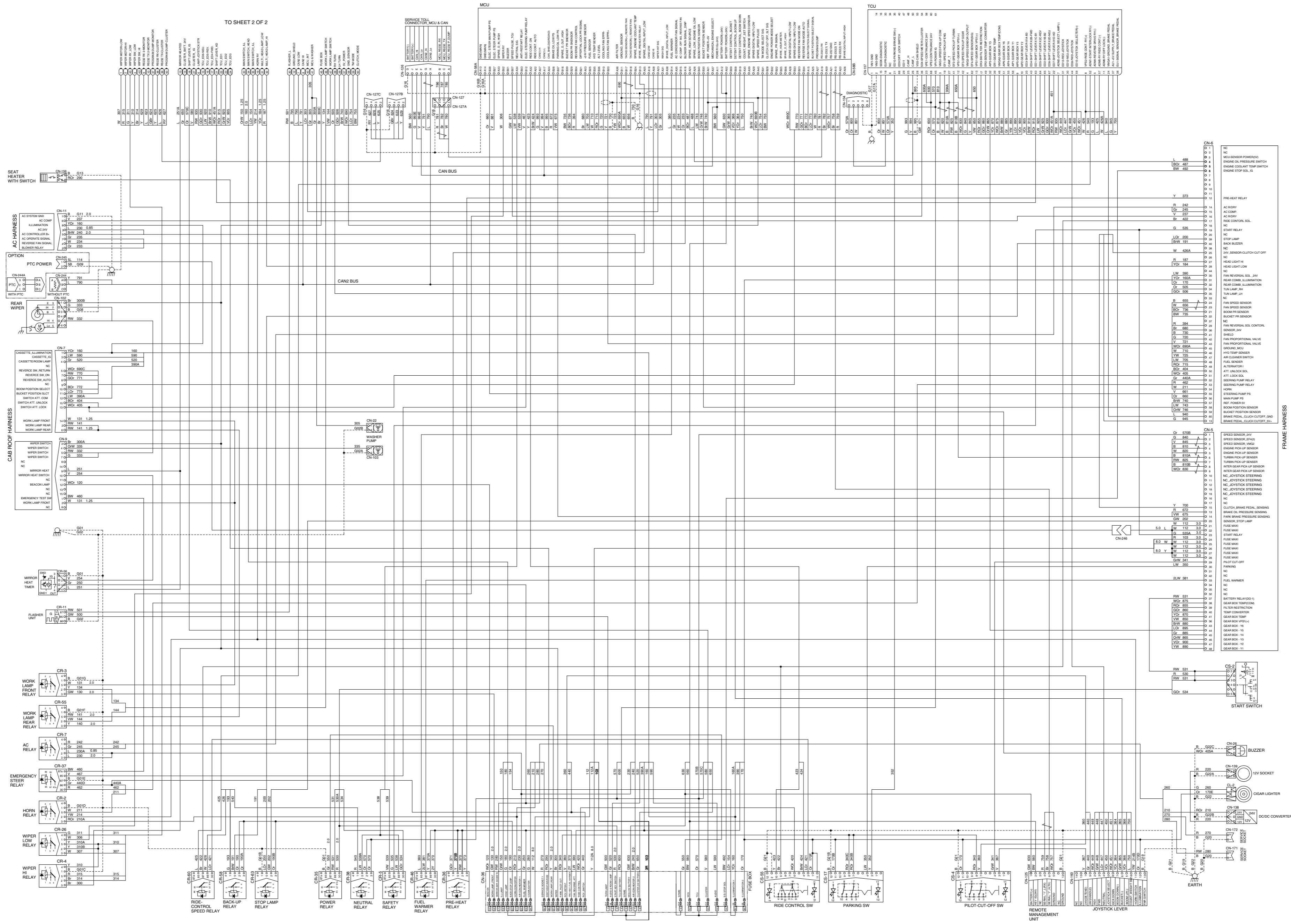


GROUP 2 ELECTRICAL CIRCUIT

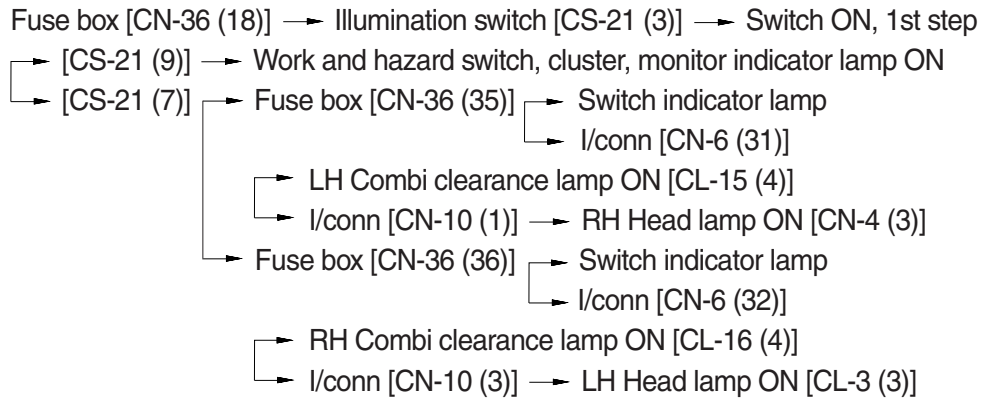
ELECTRICAL CIRCUIT (1/2)





1. ILLUMINATION CIRCUIT

1) OPERATING FLOW

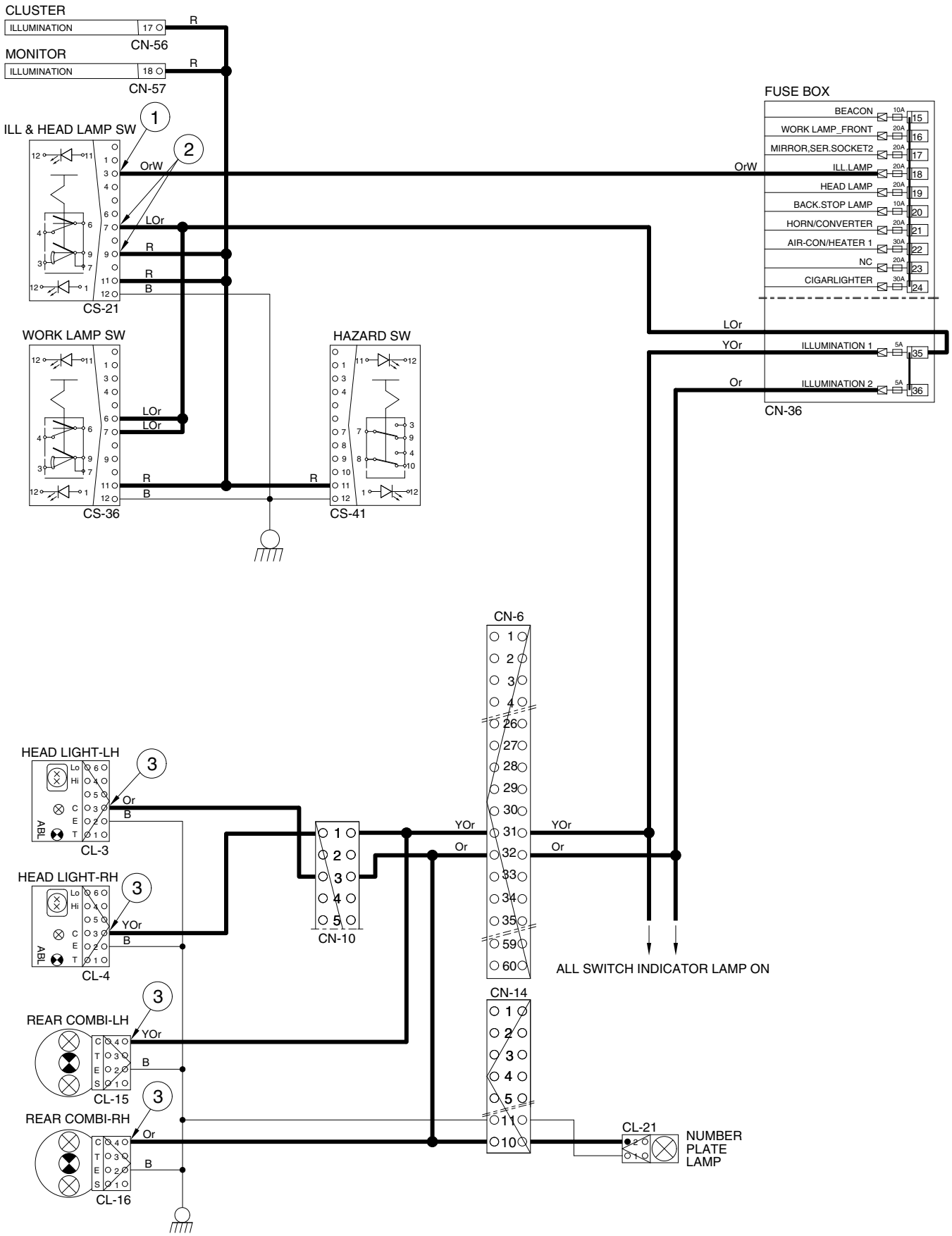


2) CHECK POINT

Engine	Key switch	Check point	Voltage
OFF	ON	① - GND (switch input) ② - GND (switch output) ③ - GND (to light)	20~25V

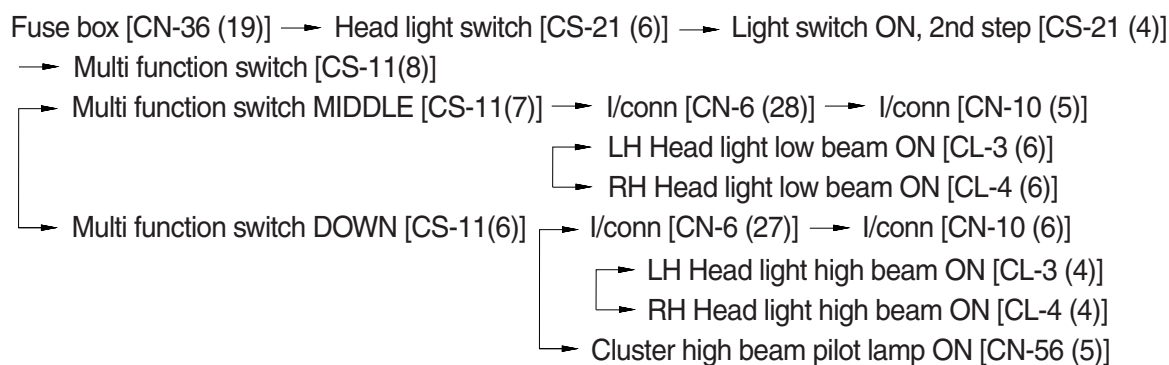
※ GND : Ground

ILLUMINATION CIRCUIT



2. HEAD LIGHT CIRCUIT

1) OPERATING FLOW

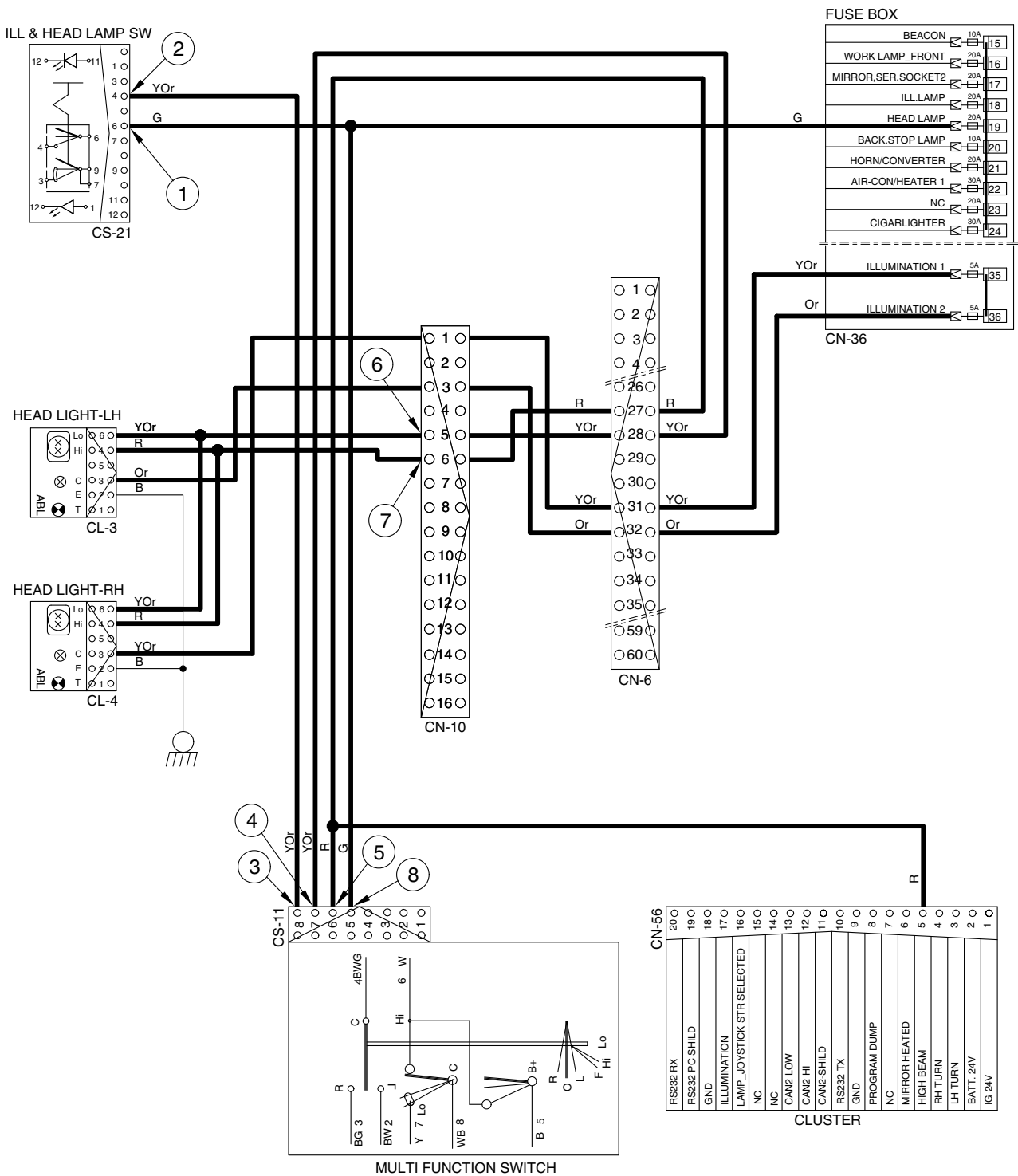


2) CHECK POINT

Engine	Key switch	Check point	Voltage
OFF	ON	① - GND (switch input) ② - GND (switch output) ③ - GND (multi function input) ④ - GND (multi function output) ⑤ - GND (multi function output) ⑥ - GND (low beam) ⑦ - GND (high beam) ⑧ - GND (passing B ⁺)	20~25V

※ GND : Ground

HEAD LIGHT CIRCUIT



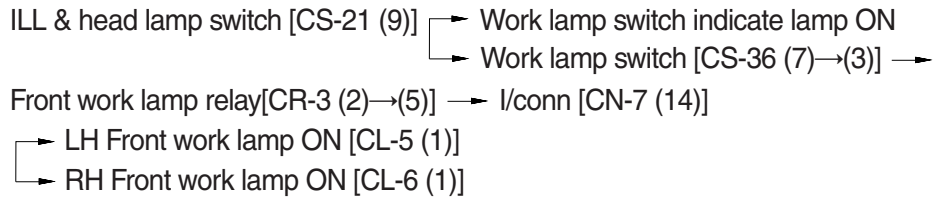
7409S7EL04

3. WORK LIGHT SWITCH

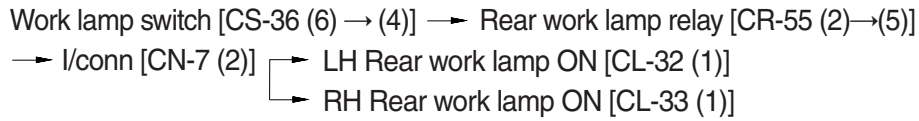
1) OPERATING FLOW

※ Illumination switch : ON position (1st step)

(1) Work lamp switch ON (1st step)



(2) Work lamp switch (2nd step)

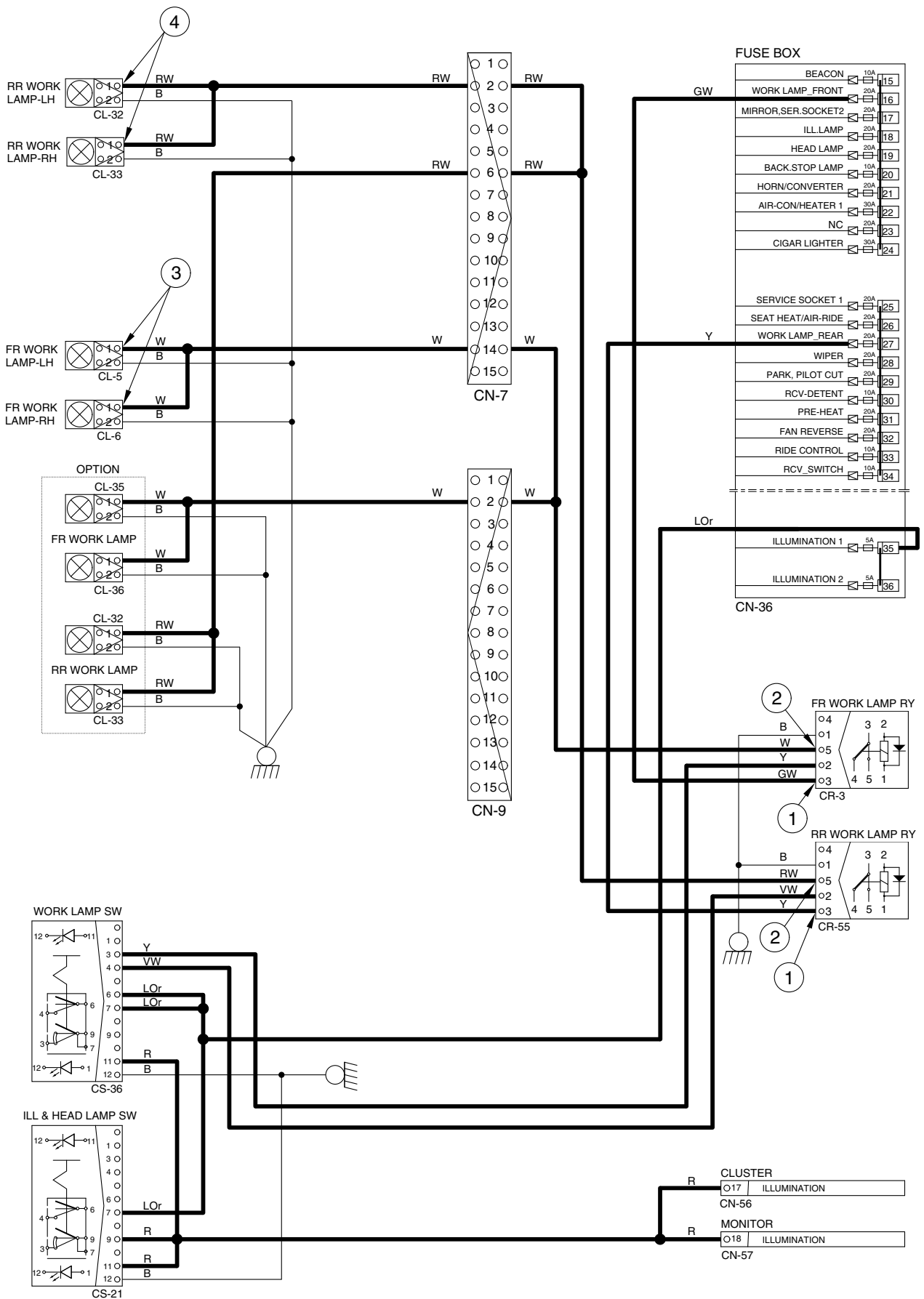


2) CHECK POINT

Engine	Key switch	Check point	Voltage
OFF	ON	① - GND (work lamp power input) ② - GND (work lamp power output) ③ - GND (front work lamp) ④ - GND (rear work lamp)	20~25V

※ GND : Ground

WORK LIGHT SWITCH



7409B7EL05

4. STARTING CIRCUIT

1) OPERATING FLOW

Battery(+) terminal → Fusible link [CN-60] → Master switch [CS-74]
 → I/conn [CN-5 (24)] → Fuse box [CN-36] → Start switch [CS-2(1)]
 → Power relay [CR-35(30)]

※ The gear selector lever is neutral position. It is necessary condition before the starting.

The gear selector has an output signal which is activated whenever the shift lever is in the neutral position. This signal can be used to control a relay and prevent engine from starting whenever the shift lever is not in the neutral position.

(1) When start key switch is in ON position

Start switch ON → Start switch [CS-2(2)] → I/conn [CN-5(37)] → Master switch [CS-74]
 → Battery relay [CR-1]
 → Battery relay operating(All power is supplied with the electric component)
 → Start switch [CS-2 (3)] → Power relay[CR-35(30)→(87)]
 → Fuse box[CN-36 (10)] → MCU[CN-58A (A11)]

(2) When start key switch is in START position

Start switch START [CS-2 (6)] → Start safety relay [CR-5 (30)→(87)] → I/conn [CN-6 (19)] →
 I/conn[CN-13(7)] → Start relay [CR-23] → Starter (terminal B⁺ and M connector of start motor)

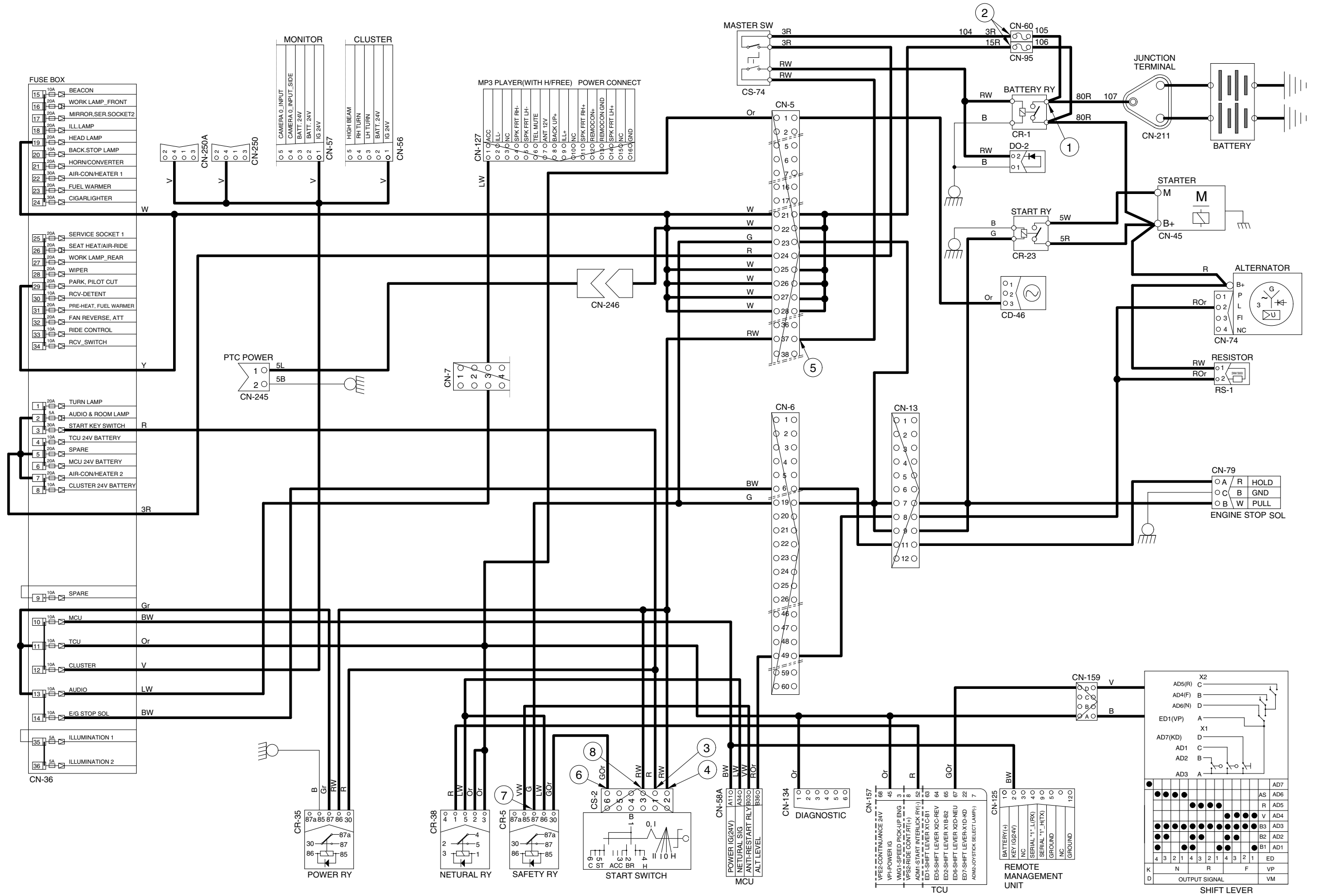
2) CHECK POINT

Engine	Key switch	Check point	Voltage
Running	ON	① - GND (battery B ⁺) ② - GND (fusible link) ③ - GND (start key B terminal) ④ - GND (start key BR terminal) ⑤ - GND (i/conn CN-5 (37)) ⑥ - GND (start key C terminal) ⑦ - GND (start safety relay output) ⑧ - GND (start key ACC terminal)	20~25 V

※ GND : Ground

※ MCU : Machine control unit

STARTING CIRCUIT



5. CHARGING CIRCUIT

When the starter is activated and the engine is started, the operator releases the key switch to the ON position.

Charging current generated by operating alternator flows into the battery through the battery relay (CR-1).

The current also flows from alternator to each electrical component and controller through the fuse box.

1) OPERATING FLOW

(1) Warning flow

Alternator [CN-74 (2)] → I/conn [CN-13 (8)] → I/conn [CN-6 (49)] → MCU [CN-58A (B36)]
 → Cluster charge warning lamp ON

(2) Charging flow

Alternator → Starter [CN-45 (B⁺)] → Battery relay [CR-1]
 → Battery (+) terminal → Charging
 → Fusible link [CN-60] → Master switch [CS-74] → I/conn [CN-5 (24)]
 → Fuse box [CN-36]
 → Fusible link [CN-95] → I/conn [CN-5 (21, 22, 25~28)] → Fuse box [CN-36]

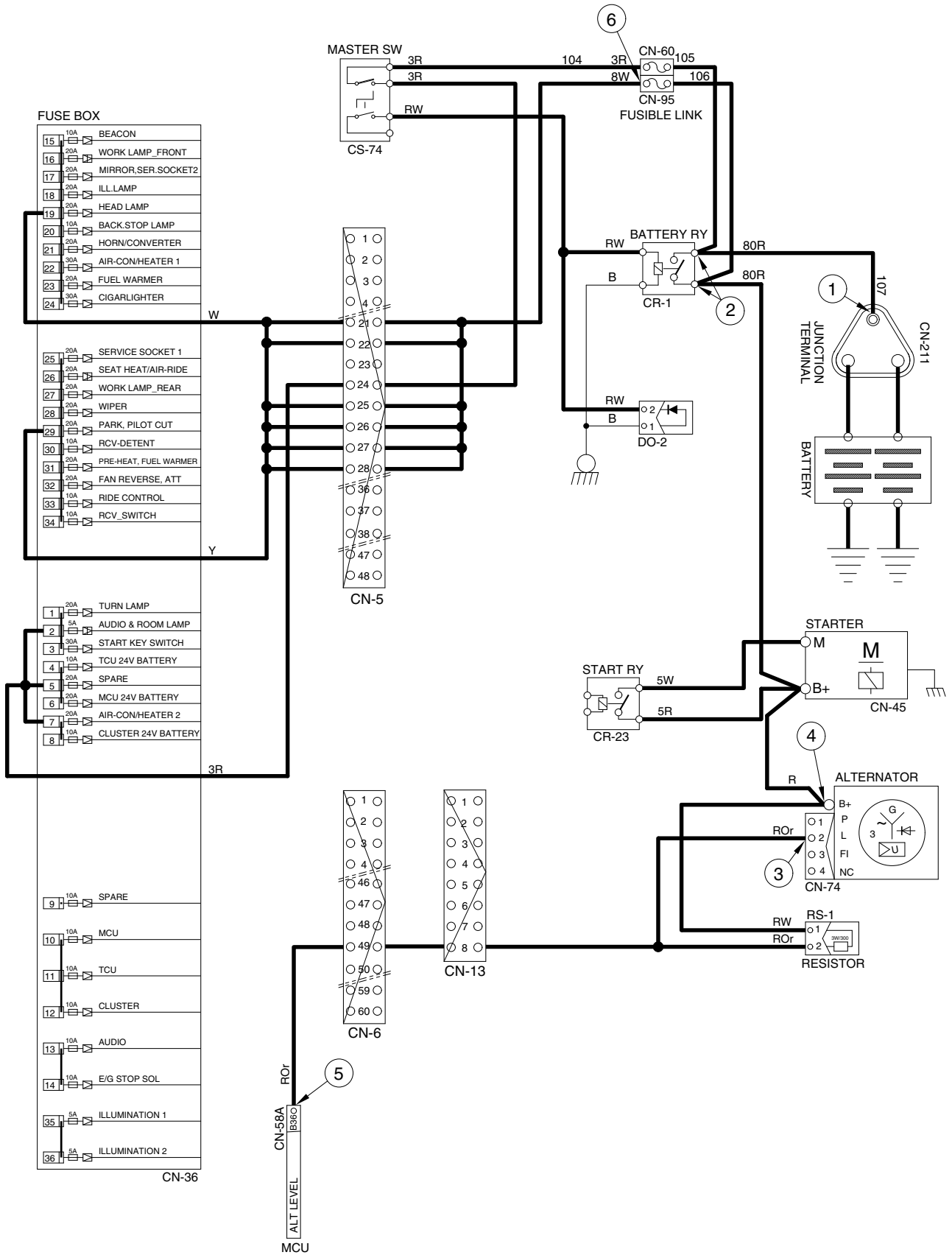
2) CHECK POINT

Engine	Key switch	Check point	Voltage
OFF	ON	① - GND (battery) ② - GND (battery relay) ③ - GND (alternator B ⁺) ④ - GND (alternator 2) ⑤ - GND (MCU) ⑥ - GND (fuse box)	20~28V

※ GND : Ground

※ MCU : Machine control unit

CHARGING CIRCUIT

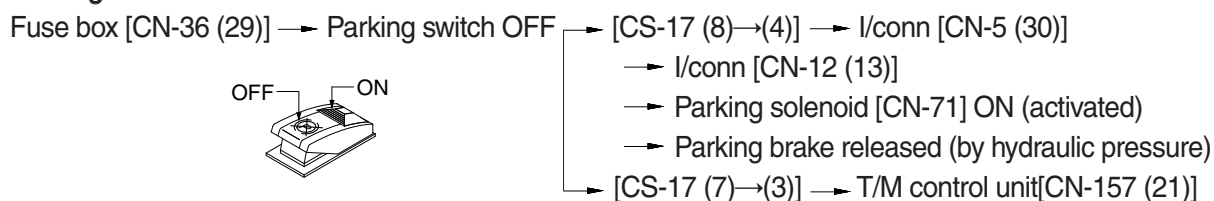


7409B7EL07

6. ELECTRIC PARKING, PILOT CUT OFF CIRCUIT

1) OPERATING FLOW

(1) Parking OFF



(2) Parking ON

Fuse box [CN-36 (29)] → Parking switch ON → Parking solenoid [CN-71] OFF
 → Parking brake applied [By spring force]

(3) Pilot cut off ON

Fuse box [CN-36 (29)] → Pilot cut off switch ON → Pilot cut off switch [CS-4 (8)→(4)]
 → I/conn [CN-5 (29)] → Pilot cut off solenoid ON [CN-68] (activate) → Pilot cut off released

(4) Pilot cut off OFF

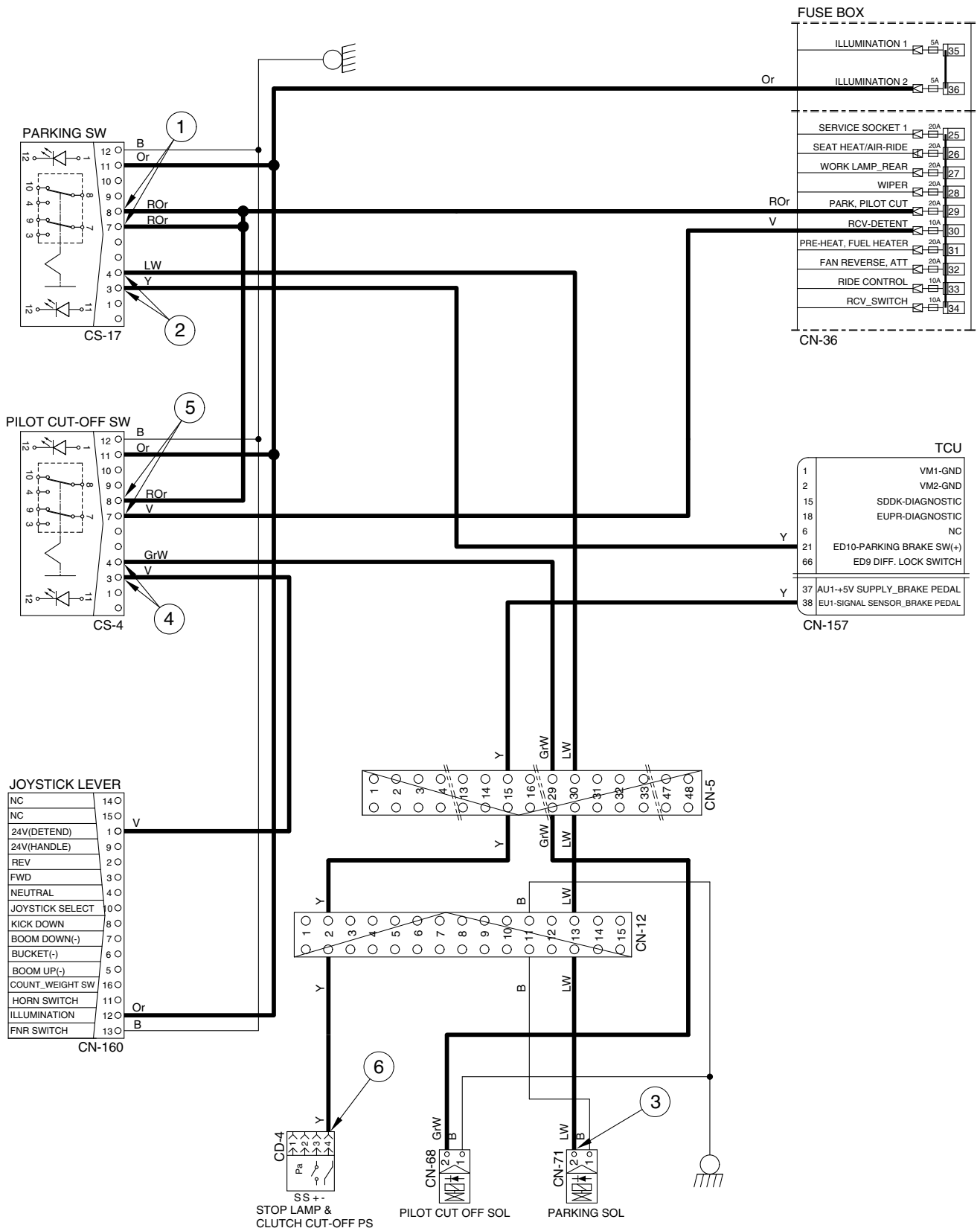
Fuse box [CN-36 (29)] → Pilot cut off solenoid [CN-68] OFF
 → Pilot cut off applied

2) CHECK POINT

Engine	Key switch	Check point	Voltage
Running	ON	① - GND (parking switch input) ② - GND (parking switch output) ③ - GND (parking solenoid) ④ - GND (Pilot cut off switch output) ⑤ - GND (Pilot cut off switch input) ⑥ - GND (Pilot cut off solenoid)	20~25V

※ GND : Ground

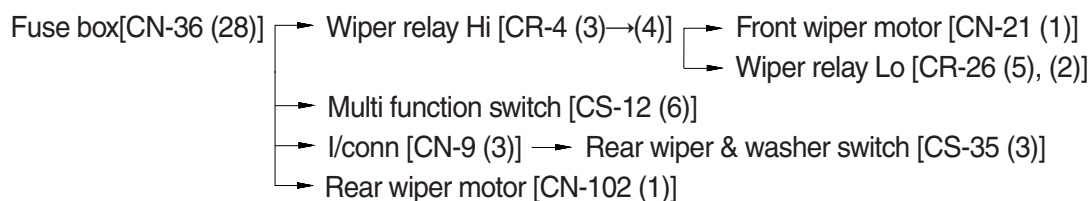
ELECTRIC PARKING, PILOT CUT OFF CIRCUIT



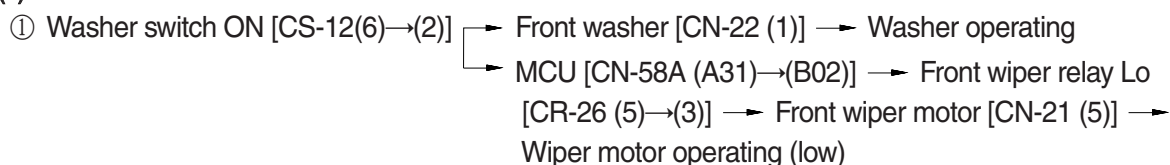
7409B7EL08

7. WIPER AND WASHER CIRCUIT

1) OPERATING FLOW



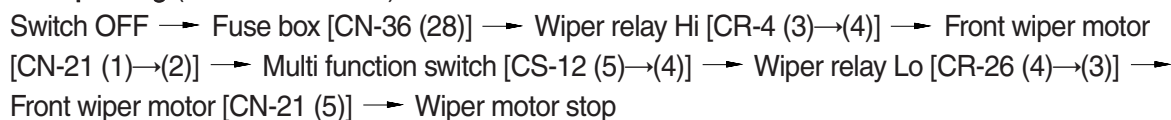
(1) Front washer switch ON



(2) Front wiper switch ON

- ① INT position
Wiper switch ON [CS-12 (6)→(1)] → MCU [CN-58A (A23)→(B02)] → Wiper relay Lo [CR-26 (5)→(3)] → Front wiper motor [CN-21(5)] → Front wiper motor intermittently operating
- ② Lo position
Wiper switch ON [CS-12 (6)→(4)] → Wiper relay Lo [CR-26 (4)→(3)] → Front wiper motor [CN-21 (5)] → Front wiper motor operating (low)
- ③ Hi position
Wiper switch ON [CS-12 (6)→(3)] → Wiper relay Hi [CR-4(3)→(5)] → Front wiper motor [CN-21 (4)] → Front wiper motor operating (high)

(3) Auto-parking (when switch OFF)



(4) Rear wiper and washer switch

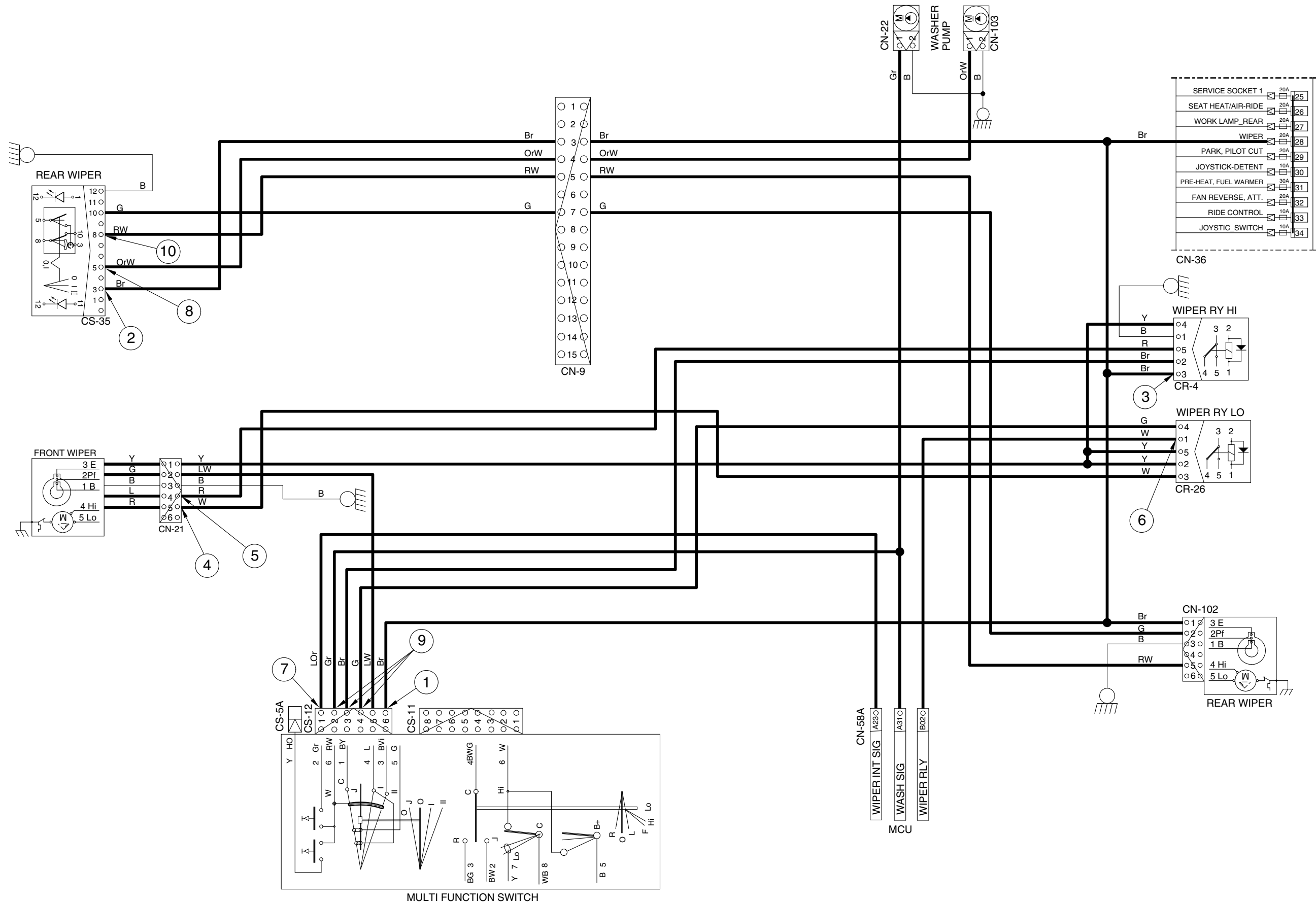
- ① Wiper switch ON (1st step)
Wiper switch ON [CS-35 (3)→(8)] → I/conn [CN-9 (5)] → Rear wiper motor [CN-102(5)] → Rear wiper motor operating
- ② Washer switch ON (2nd step)
Washer switch ON [CS-35 (3)→(5)] → I/conn [CN-9 (4)] → Rear washer tank [CN-103(1)] → Washer operating

2) CHECK POINT

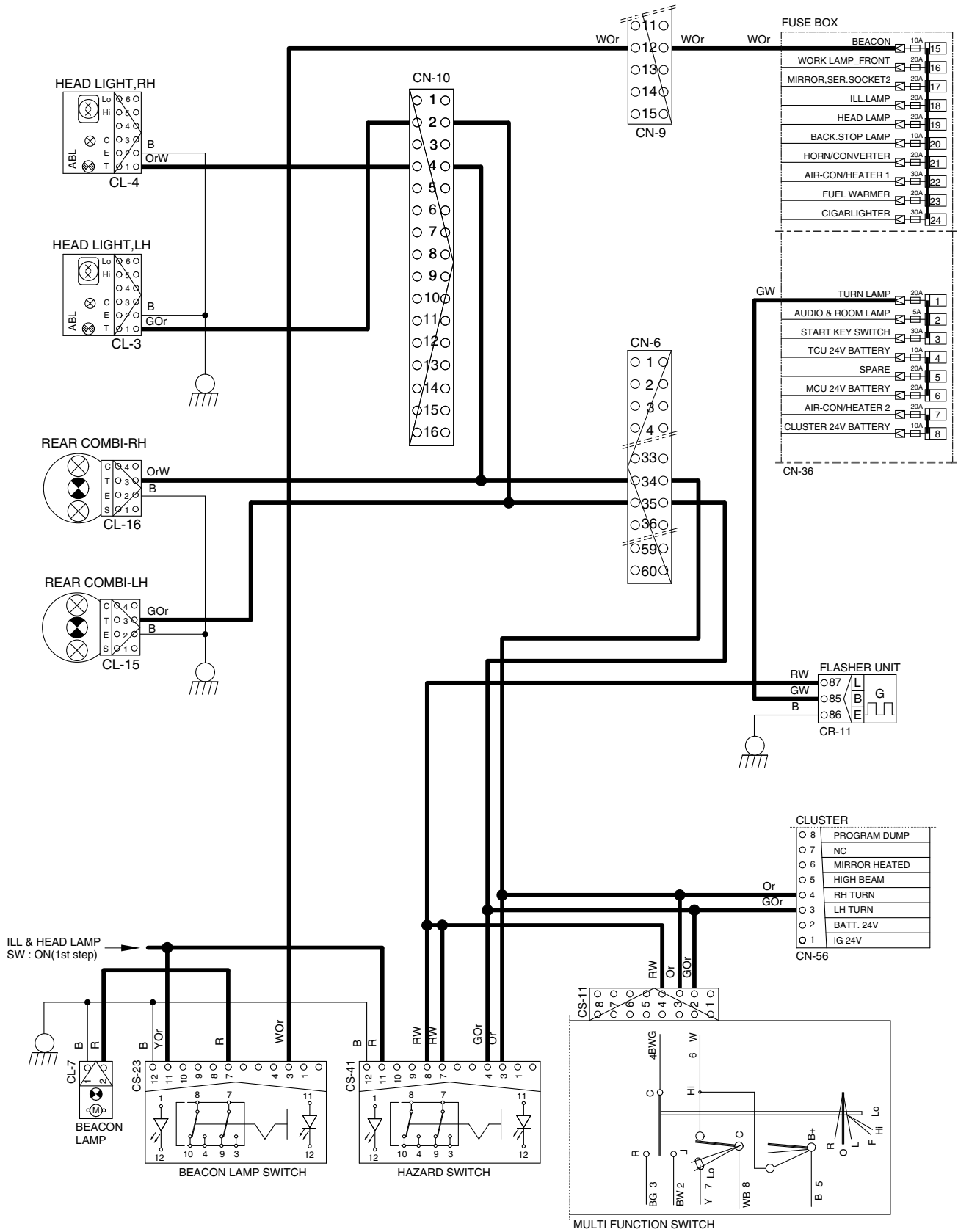
Condition	Check point	
Engine : Stop	① - GND (front wiper switch power input)	⑥ - GND (wiper relay power input)
	② - GND (rear wiper switch power input)	⑦ - GND (front washer power output)
Key switch : ON	③ - GND (wiper relay power input)	⑧ - GND (rear washer power output)
	④ - GND (front wiper motor Lo power input)	⑨ - GND (front wiper motor power output)
Voltage : 20~25V	⑤ - GND (front wiper motor High power input)	⑩ - GND (rear wiper motor power output)

※ GND : Ground

WIPER AND WASHER CIRCUIT



HAZARD, TURN AND ROTARY CIRCUIT



7409B7EL10