

## GROUP 5 CONNECTORS

### 1. CONNECTOR DESTINATION

| Connector number | Type        | No. of pin | Destination                               | Connector part No. |                  |
|------------------|-------------|------------|---|--------------------|------------------|
|                  |             |            |   | Female             | Male             |
| CN-5             | DEUTSCH     | 48         | I/conn (Frame harness-Main harness)       | DRB16-48SAE-L018   | DRB12-48PAE-L018 |
| CN-6             | DEUTSCH     | 60         | I/conn (Frame harness-Main harness)       | DRB16-60SBE-L018   | DRB12-60PBE-L018 |
| CN-7             | AMP         | 15         | I/conn (Main harness-Cab harness)         | 2-85262-1          | 368301-1         |
| CN-9             | AMP         | 12         | I/conn (Cab harness-Main harness)         | 2-85262-1          | 368301-1         |
| CN-10            | DEUTSCH     | 23         | I/conn (Frame harness-Front harness)      | HD34-24-23PE       | HD36-24-23SE     |
| CN-11            | DEUTSCH     | 8          | I/conn (Main harness-Aircon harness)      | DT06-8S            | DT04-8P          |
| CN-12            | AMP         | 15         | I/conn (Frame harness-Bottom harness)     | 2-85262-1          | 368537-1         |
| CN-13            | DEUTSCH     | 12         | I/conn (Frame harness-Engine harness)     | DT06-12S           | DT04-12P         |
| CN-14            | DEUTSCH     | 12         | I/conn (Frame harness-Grill harness)      | DT06-12S           | DT04-12P         |
| CN-19            | Econoseal J | 6          | I/conn (Emer steer harness-Front harness) | S816-006002        | S816-106602      |
| CN-20            | DEUTSCH     | 2          | Horn                                      | DT06-2S            | -                |
| CN-21            | AMP         | 6          | Front wiper motor                         | 936257-1           | -                |
| CN-22            | KET         | 2          | Front washer tank                         | MG640605           | -                |
| CN-23            | KET         | 2          | Speaker (LH)                              | 7123-1520          | -                |
| CN-24            | KET         | 2          | Speaker (RH)                              | 7123-1520          | -                |
| CN-25            | DEUTSCH     | 2          | Horn                                      | DT06-2S            | -                |
| CN-26            | 250         | 2          | Warning buzzer                            | S810-002202        | -                |
| CN-27            | MK II       | 16         | Radio and USB player                      | PK145-16017        | -                |
| CN-27A           | MK II       | 8          | USB connector                             | 174984-2           | -                |
| CN-28            | NMWP        | 1          | Aircon compressor                         | PB625-01027        | -                |
| CN-29            | KET         | 2          | Receiver drier                            | MG640795           | -                |
| CN-36            | -           | -          | Fuse box                                  | 21Q7-10910         | -                |
| CN-45            | Ring term   | -          | Starter                                   | R14-10             | R 1.25-6         |
| CN-50            | PACKARD     | 2          | Fuel warmer                               | 1530-0027          | 1530-0002        |
| CN-56            | AMP         | 20         | Cluster                                   | 174047-2           | -                |
| CN-57            | AMP         | 20         | Monitor                                   | 174047-2           | -                |
| CN-58A           | DEUTSCH     | 40         | MCU                                       | DRC26-40-SA        | -                |
| CN-58B           | DEUTSCH     | 40         | MCU                                       | DRC26-40-SB        | -                |
| CN-60            | MTA         | 2          | Fusible link (40A)                        | 07.00910           | 03.21000         |
| CN-65            | DEUTSCH     | 2          | Back up buzzer                            | DT06-2S            | -                |
| CN-68            | DEUTSCH     | 2          | Safety solenoid                           | DT06-2S-EP06       | -                |
| CN-71            | DEUTSCH     | 2          | Parking solenoid                          | DT06-2S-EP06       | -                |
| CN-74            | 250         | 2          | Alternator                                | S810-002202        | -                |
| CN-79            | 250         | 3          | Engine stop solenoid                      | -                  | 1201-5793        |

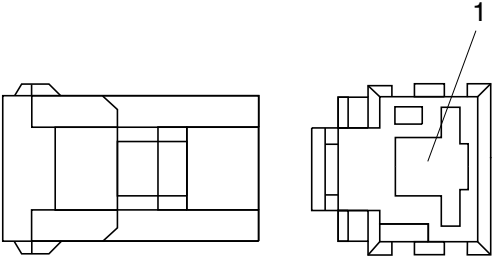
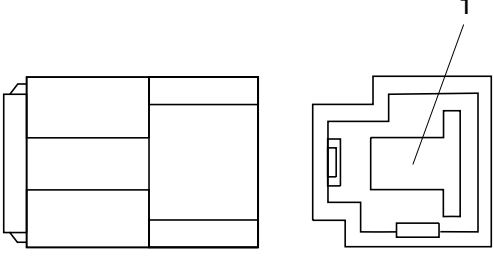
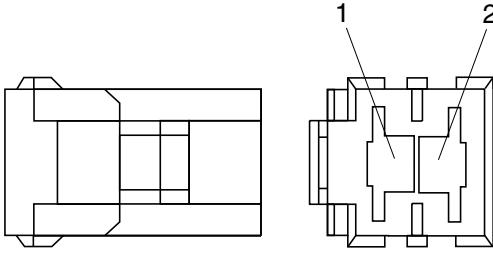
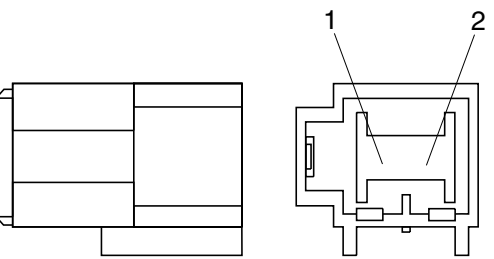
| Connector number | Type        | No. of pin | Destination                                 | Connector part No. |              |
|------------------|-------------|------------|---|--------------------|--------------|
|                  |             |            |   | Female             | Male         |
| CN-83            | NMWP        | 2          | Aircon fan                                  | PB625-02027        | -            |
| CN-95            | MTA         | 2          | Fusible link (80A)                          | 07.00960           | 03.210000    |
| CN-96            | PACKARD     | 2          | Fuel heater                                 | 2-967325-3         | -            |
| CN-99            | DEUTSCH     | 2          | Resister                                    | DT04-3P-EP10       | -            |
| CN-100           | Econoseal J | 3          | Boom kick out                               | S816-003002        | S816-103002  |
| CN-101A          | Econoseal J | 3          | Bucket leveler                              | -                  | S816-103002  |
| CN-101           | DEUTSCH     | 3          | Bucket leveler                              | DT06-3S            | -            |
| CN-102           | AMP         | 6          | Rear wiper motor                            | 936257-1           | -            |
| CN-103           | KET         | 2          | Rear washer tank                            | MG640605           | -            |
| CN-112           | -           | 16         | Gear box                                    | 21L7-60290         | -            |
| CN-114           | -           | 6          | Joy stick                                   | 1-480704-0         | -            |
| CN-126           | DEUTSCH     | 9          | Data link                                   | HD10-9-96P         | -            |
| CN-136           | AMP         | 2          | Ride control solenoid                       | 85202-1            | -            |
| CN-138           | 250         | 3          | DC/DC Converter                             | S810-003202        | -            |
| CN-139           | 250         | 2          | 12V socket                                  | S810-002202        | -            |
| CN-141           | Econoseal J | 6          | I/conn (Ride control harness-Front harness) | S816-006002        | S816-106002  |
| CN-149           | DEUTSCH     | 2          | Mirror heat (LH)                            | DT04-2S            | DT04-2P      |
| CN-150           | DEUTSCH     | 2          | Mirror heat (RH)                            | DT04-2S            | DT04-2P      |
| CN-154           | AMP         | 2          | Fan speed solenoid                          | 85202-5            | -            |
| CN-155           | AMP         | 2          | Fan reverse solenoid                        | 85202-1            | -            |
| CN-156           | PACKARD     | 2          | Seat heater                                 | 1205-2641          | 1205-2647    |
| CN-157           | AMP         | 60         | T/M control unit                            | 962175             | -            |
| CN-158           | PACKARD     | 4          | Gear shift lever                            | -                  | 1201-0974    |
| CN-159           | PACKARD     | 4          | Gear shift lever                            | 1201-5797          | -            |
| CN-162           | Econoseal J | 6          | Pedal                                       | S816-006602        | -            |
| CN-244           | DEUTSCH     | 3          | PTC CAN 2                                   | DT06-3S-E008       | DT04-3P-EP10 |
| CN-246           | KET         | 1          | PTC power                                   | -                  | MG620659-5   |
| CN-250           | Econoseal J | 4          | Rear view camera                            | S816-004002        | S816-104002  |
| · Relay          |             |            |   |                    |              |
| CR-1             | Ring term   | -          | Battery relay                               | S820-104002        | -            |
| CR-2             | AMP         | 5          | Horn relay                                  | VCFM-1002          | -            |
| CR-3             | HELLA       | 5          | Front work lamp relay                       | 8JA003526-001      | -            |
| CR-4             | AMP         | 5          | Wiper relay (Hi)                            | VCFM-1002          | -            |
| CR-5             | HELLA       | 5          | Safety relay                                | 8JA003526-001      | -            |

| Connector number | Type      | No. of pin | Destination                    | Connector part No. |              |
|------------------|-----------|------------|--------------------------------|--------------------|--------------|
|                  |           |            |                                | Female             | Male         |
| CR-7             | HELLA     | 5          | Aircon relay                   | 8JA003526-001      | -            |
| CR-11            | HELLA     | 5          | Flasher unit                   | 8JA003526-001      | -            |
| CR-23            | Ring term | -          | Start relay                    | ST 710289-2        | ST 710384-2  |
| CR-26            | AMP       | 5          | Wiper relay (low)              | VCFM-1002          | -            |
| CR-36            | AMP       | 5          | Preheater relay                | VCFM-1002          | -            |
| CR-39            | DEUTSCH   | 2          | Emergency steering pump relay  | DT06-2S            | DT04-2P      |
| CR-46            | HELLA     | 5          | Fuel warmer relay              | 8JA003526-001      | -            |
| CR-55            | HELLA     | 5          | Rear work lamp relay           | 8JA003526-001      | -            |
| CR-56            | KET       | 4          | Mirror heat relay              | MG610047-1         | -            |
| CR-58            | AMP       | 5          | Back up relay                  | VCFM-1002          | -            |
| CR-60            | AMP       | 5          | Ride control speed relay       | VCFM-1002          | -            |
| CR-63            | AMP       | 5          | Stop lamp relay                | VCFM-1002          | -            |
| · Switch         |           |            |                                |                    |              |
| CS-1             | Shur      | 1          | Door switch                    | S822-014004        | -            |
| CS-2             | SWP       | 6          | Start key switch               | S814-006000        | -            |
| CS-4             | SWP       | 12         | Pilot cut off switch           | 589790             | -            |
| CS-5             | Shur      | 1          | Horn switch                    | S822-014000        | -            |
| CS-11            | SWP       | 8          | Multi function switch          | S814-008000        | -            |
| CS-12            | SWP       | 6          | Multi function switch          | S814-006000        | -            |
| CS-17            | SWF       | 12         | Parking switch                 | 589790             | -            |
| CS-21            | SWF       | 12         | Main light switch              | 589790             | -            |
| CS-23            | SWF       | 12         | Beacon switch                  | 589790             | -            |
| CS-35            | SWF       | 12         | Rear wiper                     | 589790             | -            |
| CS-36            | SWF       | 12         | Work lamp switch               | 589790             | -            |
| CS-41            | SWF       | 12         | Hazard switch                  | 589790             | -            |
| CS-42            | DEUTSCH   | 3          | Clutch cut off dial switch     | -                  | DT06-3S-E008 |
| CS-55            | SWF       | 12         | Ride control switch            | 589790             | -            |
| CS-59            | DEUTSCH   | 3          | Transmission shift dial switch | -                  | DT06-3S-E008 |
| CS-73            | SWF       | 12         | Fan reverse switch             | 589790             | -            |
| CS-74            | Ring term | 4          | Master switch                  | ST710287-2         | S820-205000  |
| CS-75            | SWF       | 12         | Emergency steering test switch | 589790             | -            |
| CS-76            | SWF       | 12         | Mirror heater switch           | 589790             | -            |

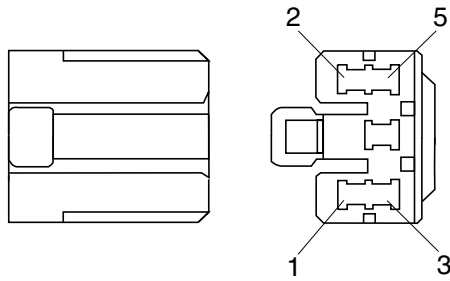
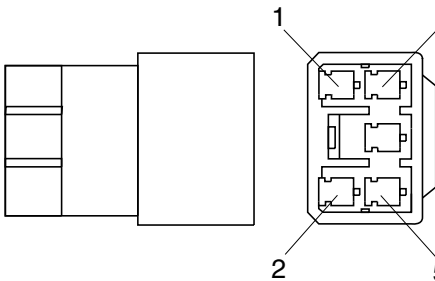
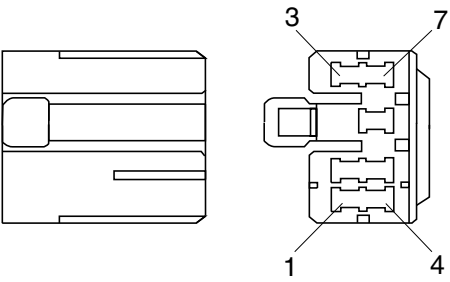
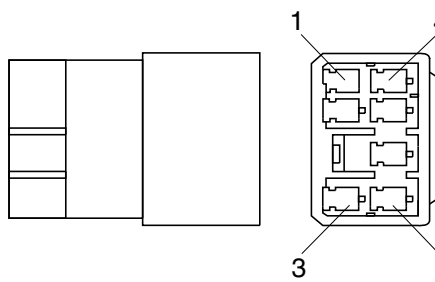
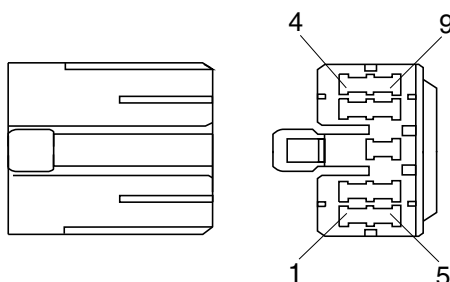
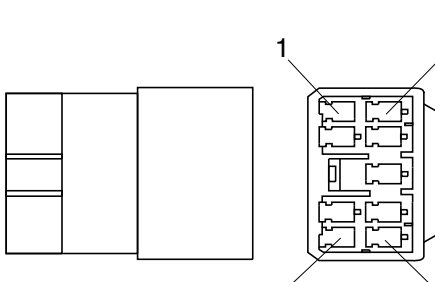
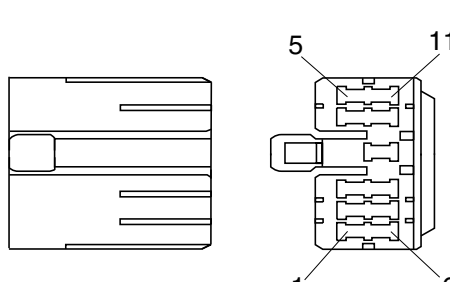
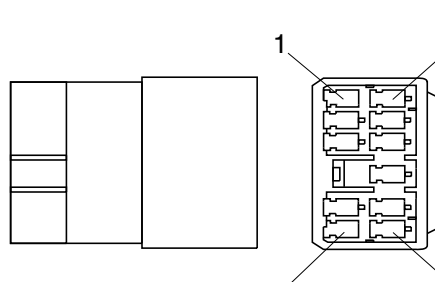
| Connector number | Type      | No. of pin | Destination                                | Connector part No. |              |
|------------------|-----------|------------|--|--------------------|--------------|
|                  |           |            |  | Female             | Male         |
| · Light          |           |            |  |                    |              |
| CL-1             | KET       | 3          | Room lamp                                  | MG651032           | -            |
| CL-2             | 250       | 3          | Cigar lighter                              | S810-003202        | -            |
| CL-3             | DEUTSCH   | 6          | Head light (LH)                            | DT06-6S            | -            |
| CL-4             | DEUTSCH   | 6          | Head light (RH)                            | DT06-6S            | -            |
| CL-5             | DEUTSCH   | 2          | Work light (LH)                            | DT06-2S-EP06       | -            |
| CL-6             | DEUTSCH   | 2          | Work light (RH)                            | DT06-2S-EP06       | -            |
| CL-7             | 250       | 2          | Beacon lamp                                | S810-002202        | -            |
| CL-15            | SWP       | 4          | Combi lamp (RR, LH)                        | S814-004000        | -            |
| CL-16            | SWP       | 4          | Combi lamp (RR, RH)                        | S814-004000        | -            |
| CL-21            | SWP       | 2          | Numberplate lamp                           | S814-002000        | -            |
| CL-22            | DEUTSCH   | 2          | Work light (LH)                            | DT06-2S            | -            |
| CL-23            | DEUTSCH   | 2          | Work light (RH)                            | DT06-2S            | -            |
| CL-24            | SWP       | 2          | Turn lamp (LH)                             | S814-002000        | -            |
| CL-25            | SWP       | 2          | Turn lamp (RH)                             | S814-002000        | -            |
| CL-30            | KET       | 2          | Room lamp                                  | MG610392           | -            |
| CL-32            | DEUTSCH   | 2          | Rear work light (RH)                       | DT06-2S-EP06       | DT04-2P-E005 |
| CL-33            | DEUTSCH   | 2          | Rear work light (LH)                       | DT06-2S-EP06       | DT04-2P-E005 |
| · Sensor, sender |           |            |  |                    |              |
| CD-1             | AMP       | 2          | Hydraulic oil temp sensor                  | 85202-1            | -            |
| CD-2             | SWP       | 2          | Fuel sensor                                | S814-002000        | -            |
| CD-3             | DEUTSCH   | 3          | Brake fail pressure switch                 | DT06-3S            | -            |
| CD-4             | DEUTSCH   | 4          | Stop lamp / clutch cut-off pressure switch | DT06-4S-EP06       | -            |
| CD-8             | AMP       | 2          | Coolant temp sensor                        | 85202-1            | -            |
| CD-10            | AMP       | 2          | Air cleaner switch                         | 85202-1            | -            |
| CD-17            | AMP       | 2          | Engine pick-up sensor                      | 85202-1            | -            |
| CD-18            | Ring term | 1          | Engine oil pressure switch                 | S820-104000        | -            |
| CD-26            | DEUTSCH   | 3          | Parking pressure switch                    | DT06-3S            | -            |
| CD-27            | AMP       | 2          | Turbin pick up sensor                      | 85202-1            | -            |
| CD-39            | DEUTSCH   | 3          | Main pump pressure switch                  | DT06-3S            | -            |
| CD-46            | AMP       | 3          | Output speed sensor                        | 282087             | -            |
| CD-47            | AMP       | 2          | Gear chain sensor                          | 85202-5            | -            |
| CD-48            | AMP       | 2          | Oil filter                                 | 282080             | -            |
| CD-49            | AMP       | 2          | Converter sensor                           | 85202-1            | -            |
| CD-73            | AMP       | 2          | Speed sensor                               | 174352-2           | -            |
| CD-80            | DEUTSCH   | 3          | Boom up pressure sensor                    | DT06-3S-EP06       | -            |
| CD-81            | DEUTSCH   | 3          | Boom down pressure sensor                  | DT06-3S-EP06       | -            |

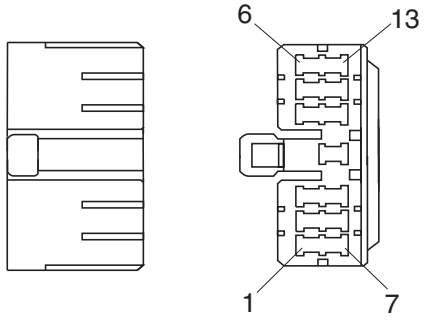
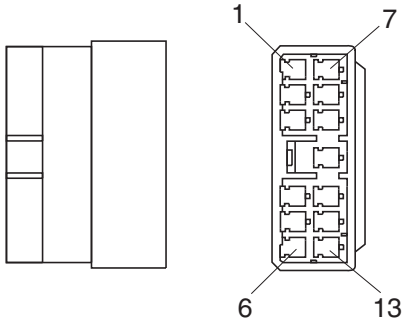
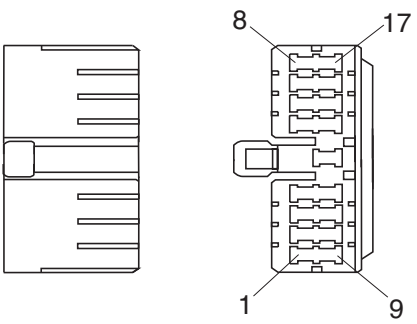
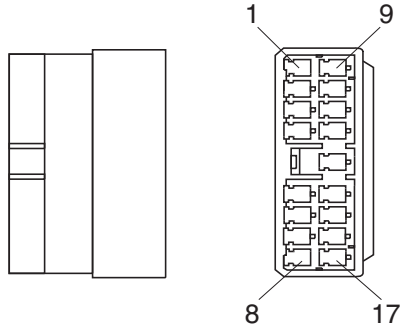
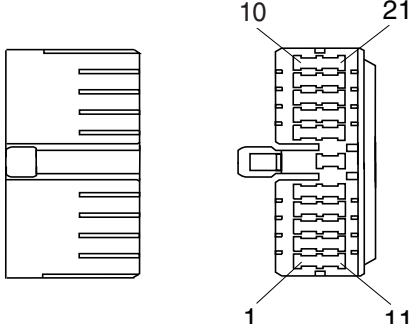
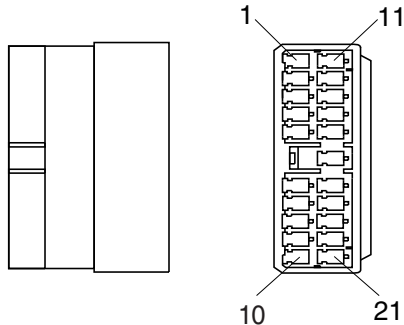
## 2. CONNECTION TABLE FOR CONNECTORS

### 1) 58-L TYPE CONNECTOR

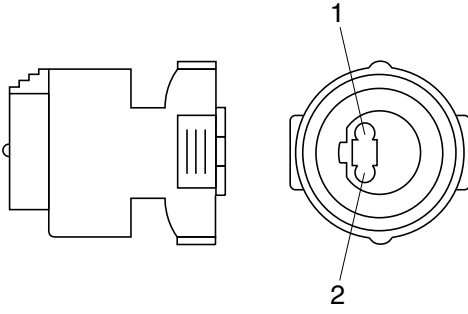
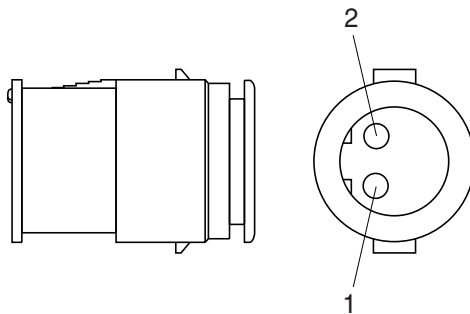
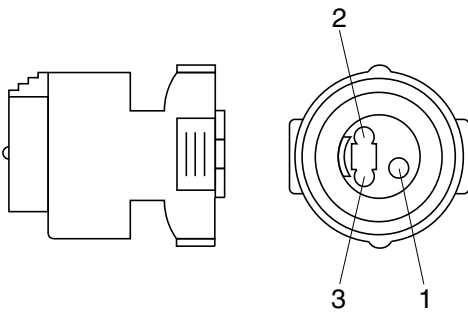
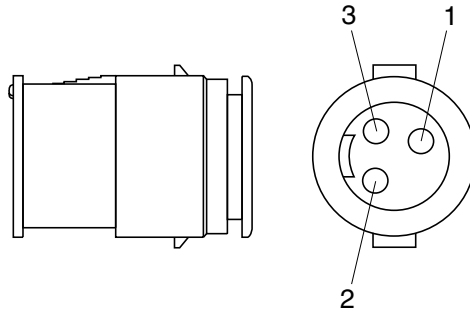
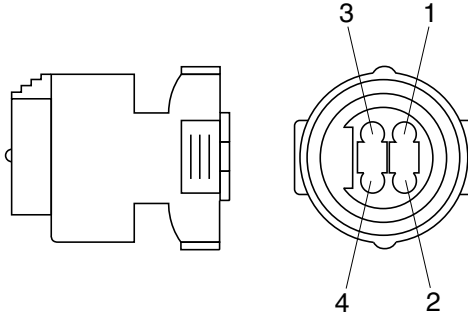
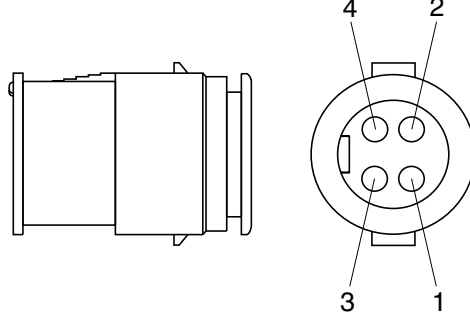
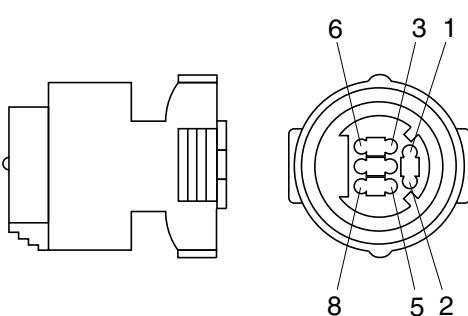
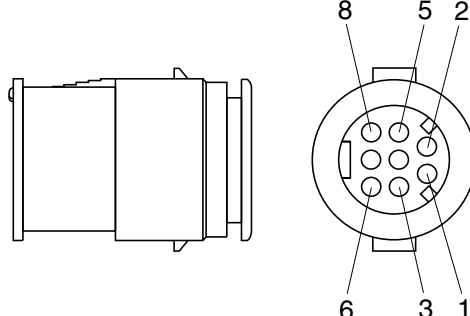
| No. of pin | Receptacle connector (female)   | Plug connector (male)  |
|------------|---|--|
| 1          |  <p data-bbox="699 728 842 757">S813-030100</p>    |  <p data-bbox="1265 728 1409 757">S813-130100</p>    |
| 2          |  <p data-bbox="699 1137 842 1167">S813-030200</p> |  <p data-bbox="1265 1137 1409 1167">S813-130200</p> |

## 2) PA TYPE CONNECTOR

| No. of pin | Receptacle connector (female)  | Plug connector (male)   |
|------------|--|---|
| 5          |  <p data-bbox="683 674 834 703">S811-005002</p>     |  <p data-bbox="1262 674 1414 703">S811-105002</p>     |
| 7          |  <p data-bbox="683 1079 834 1108">S811-007002</p>  |  <p data-bbox="1262 1079 1414 1108">S811-107002</p>  |
| 9          |  <p data-bbox="683 1485 834 1514">S811-009002</p> |  <p data-bbox="1262 1485 1414 1514">S811-109002</p> |
| 11         |  <p data-bbox="683 1890 834 1919">S811-011002</p> |  <p data-bbox="1262 1890 1414 1919">S811-111002</p> |

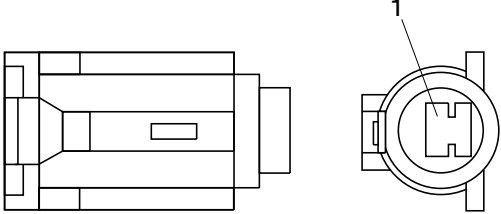
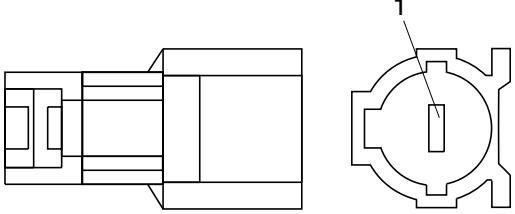
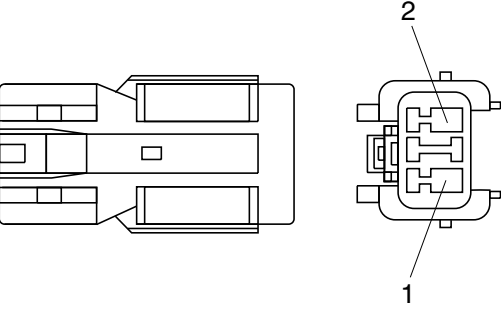
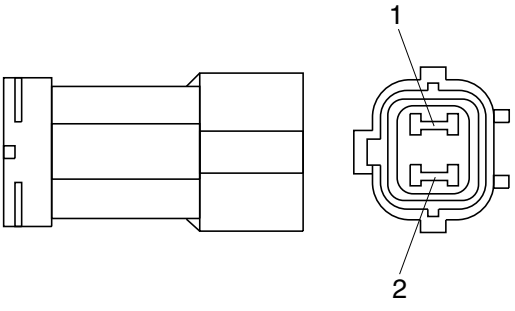
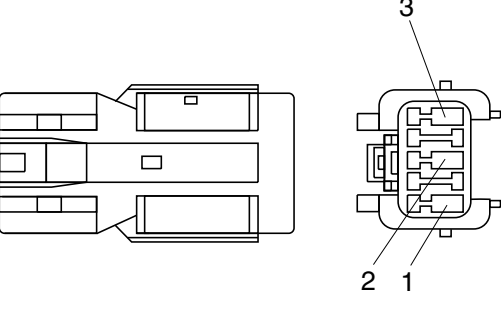
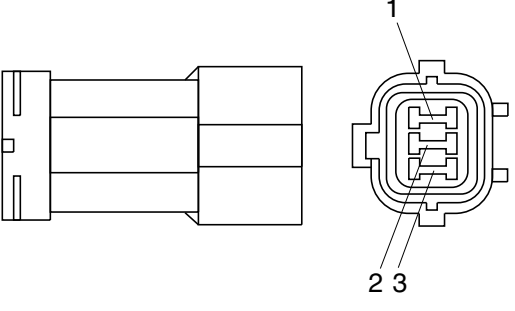
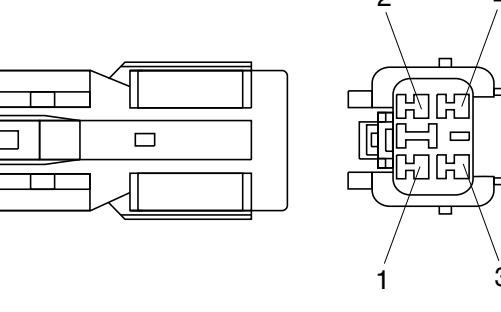
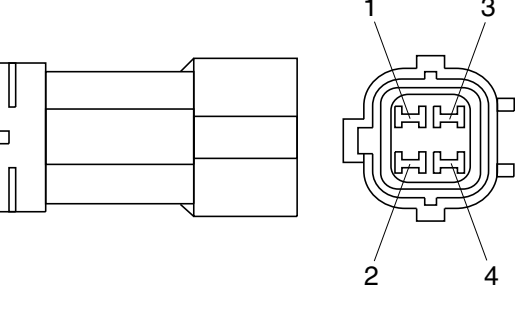
| No. of pin | Receptacle connector (female)  | Plug connector (male)   |
|------------|--|---|
| 13         |  <p data-bbox="691 633 839 663">S811-013002</p>     |  <p data-bbox="1265 633 1414 663">S811-113002</p>     |
| 17         |  <p data-bbox="691 1041 839 1070">S811-017002</p>  |  <p data-bbox="1265 1041 1414 1070">S811-117002</p>  |
| 21         |  <p data-bbox="691 1444 839 1473">S811-021002</p> |  <p data-bbox="1265 1444 1414 1473">S811-121002</p> |

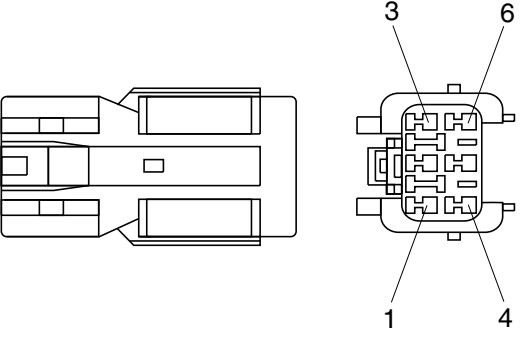
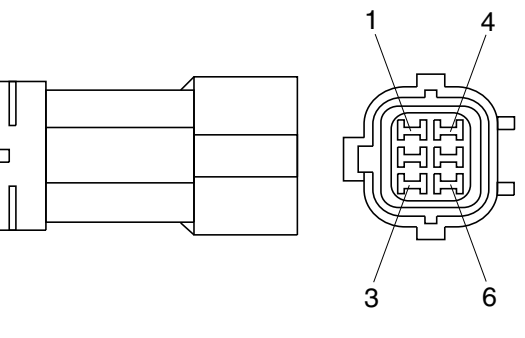
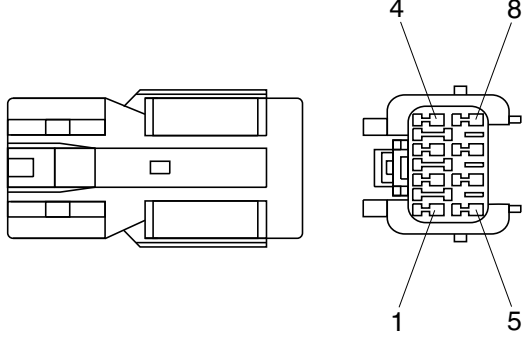
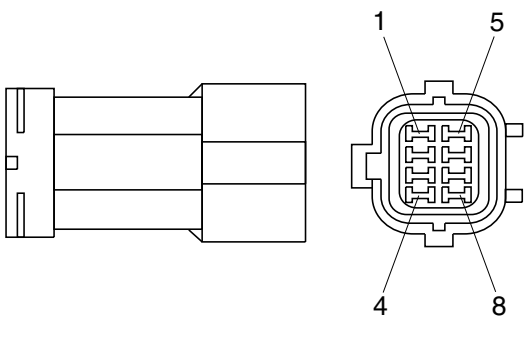
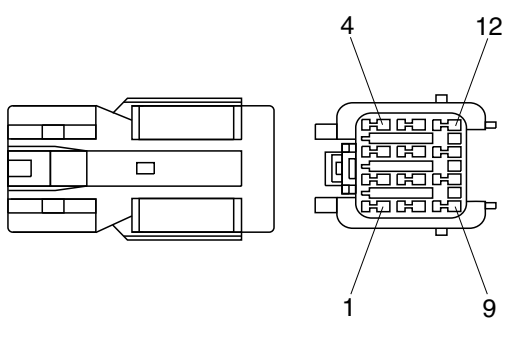
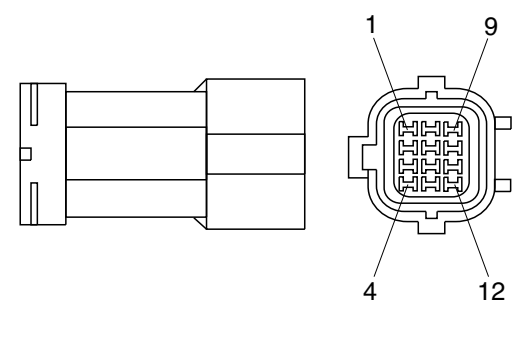
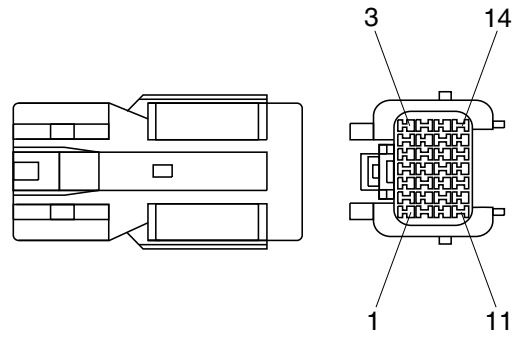
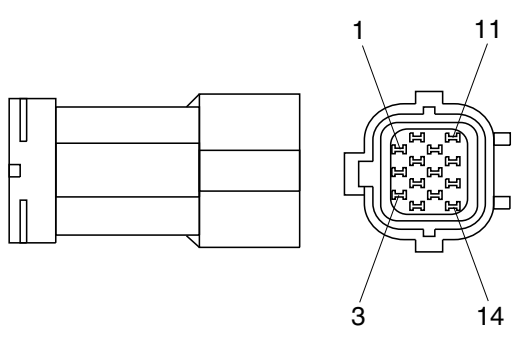
### 3) J TYPE CONNECTOR

| No. of pin | Receptacle connector (female)  | Plug connector (male)   |
|------------|--|---|
| 2          |  <p style="text-align: center;">S816-002001</p>   |  <p style="text-align: center;">S816-102001</p>   |
| 3          |  <p style="text-align: center;">S816-003001</p>  |  <p style="text-align: center;">S816-103001</p>  |
| 4          |  <p style="text-align: center;">S816-004001</p> |  <p style="text-align: center;">S816-104001</p> |
| 8          |  <p style="text-align: center;">S816-008001</p> |  <p style="text-align: center;">S816-108001</p> |

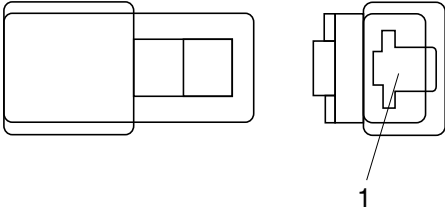
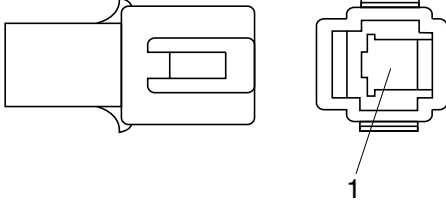
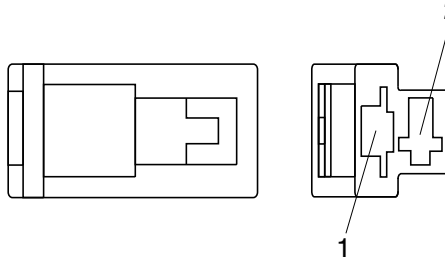
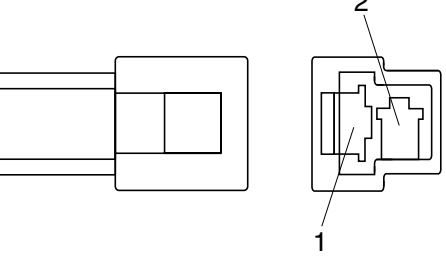
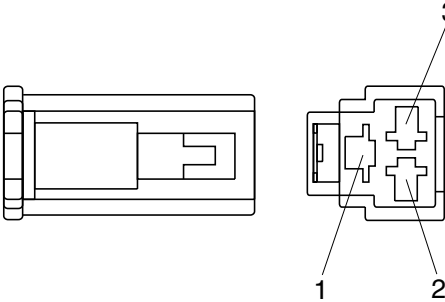
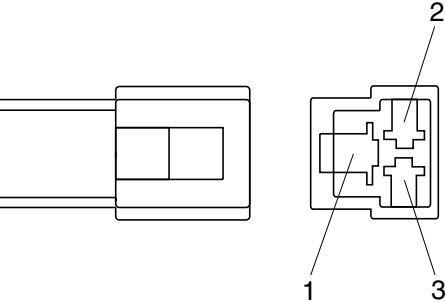
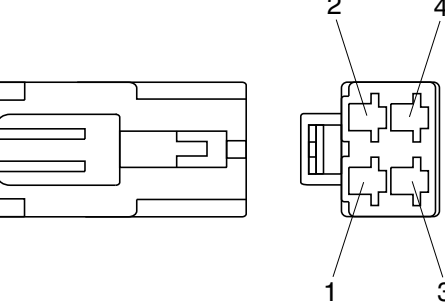
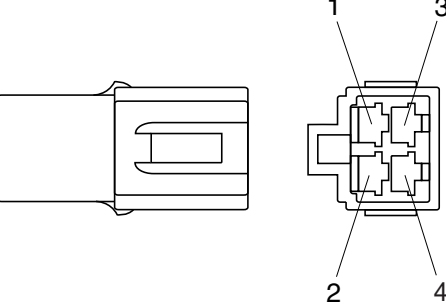


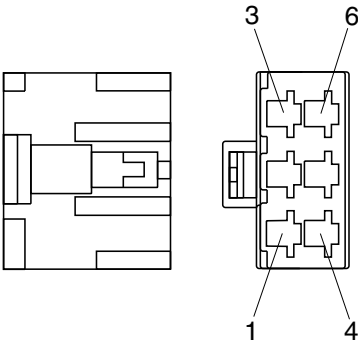
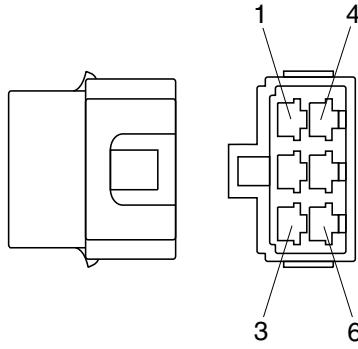
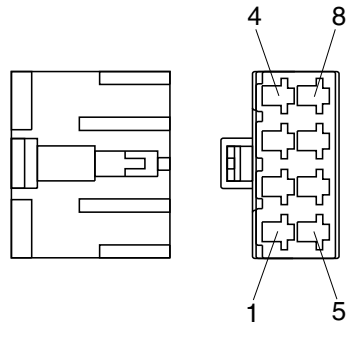
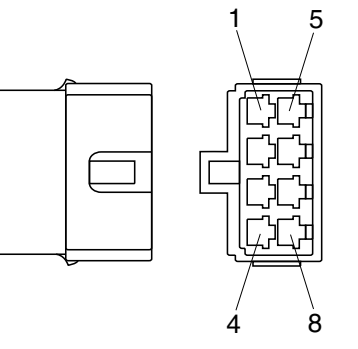
#### 4) SWP TYPE CONNECTOR

| No. of pin | Receptacle connector (Female)  | Plug connector (male)   |
|------------|--|---|
| 1          |  <p data-bbox="687 680 836 712">S814-001000</p>     |  <p data-bbox="1241 680 1390 712">S814-101000</p>     |
| 2          |  <p data-bbox="687 1088 836 1120">S814-002000</p>  |  <p data-bbox="1241 1088 1390 1120">S814-102000</p>  |
| 3          |  <p data-bbox="687 1498 836 1529">S814-003000</p> |  <p data-bbox="1241 1498 1390 1529">S814-103000</p> |
| 4          |  <p data-bbox="687 1908 836 1939">S814-004000</p> |  <p data-bbox="1241 1908 1390 1939">S814-104000</p> |

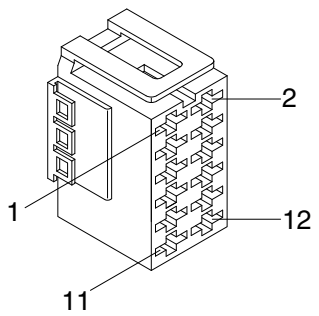
| No. of pin | Receptacle connector (female)  | Plug connector (male)   |
|------------|--|---|
| 6          |  <p data-bbox="686 627 837 660">S814-006000</p>     |  <p data-bbox="1260 627 1412 660">S814-106000</p>     |
| 8          |  <p data-bbox="686 1030 837 1064">S814-008000</p>  |  <p data-bbox="1260 1030 1412 1064">S814-108000</p>  |
| 12         |  <p data-bbox="686 1438 837 1471">S814-012000</p> |  <p data-bbox="1260 1438 1412 1471">S814-112000</p> |
| 14         |  <p data-bbox="686 1845 837 1879">S814-014000</p> |  <p data-bbox="1260 1845 1412 1879">S814-114000</p> |

### 5) CN TYPE CONNECTOR

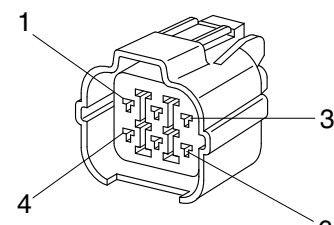
| No. of pin | Receptacle connector (female)  | Plug connector (male)   |
|------------|--|---|
| 1          |  <p data-bbox="687 674 836 703">S810-001202</p>     |  <p data-bbox="1262 674 1410 703">S810-101202</p>     |
| 2          |  <p data-bbox="687 1081 836 1111">S810-002202</p>  |  <p data-bbox="1262 1081 1410 1111">S810-102202</p>  |
| 3          |  <p data-bbox="687 1491 836 1520">S810-003202</p> |  <p data-bbox="1262 1491 1410 1520">S810-103202</p> |
| 4          |  <p data-bbox="687 1897 836 1926">S810-004202</p> |  <p data-bbox="1262 1897 1410 1926">S810-104202</p> |

| No. of pin | Receptacle connector (female)   | Plug connector (male)  |
|------------|---|--|
| 6          |  <p data-bbox="686 638 837 672">S810-006202</p>    |  <p data-bbox="1244 638 1396 672">S810-106202</p>    |
| 8          |  <p data-bbox="686 1041 837 1075">S810-008202</p> |  <p data-bbox="1244 1041 1396 1075">S810-108202</p> |

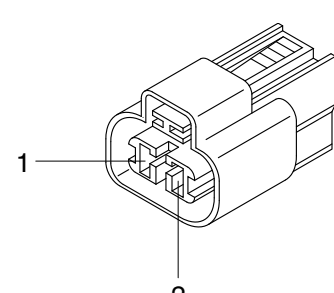
### 6) ITT SWF CONNECTOR

| No. of pin | Receptacle connector (female)   | Plug connector (male) |
|------------|---|-----------------------|
| 10         |  <p style="text-align: right;">SWF589790</p> |                       |

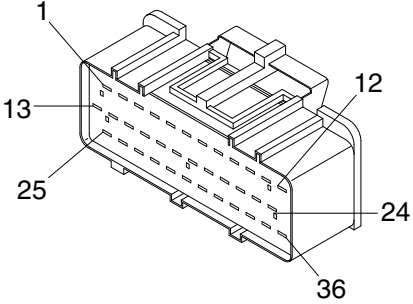
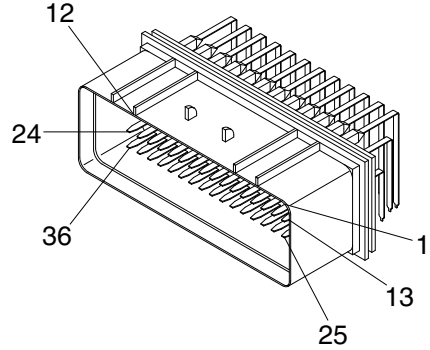
### 7) HW090 SEALED CONNECTOR

| No. of pin | Receptacle connector (female)  | Plug connector (male) |
|------------|--|-----------------------|
| 6          |  <p style="text-align: right;">6189-0133</p> |                       |

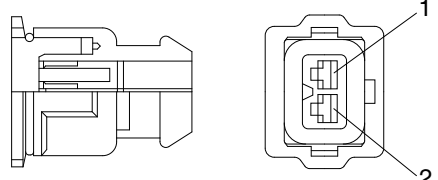
### 8) MWP02F-B CONNECTOR

| No. of pin | Receptacle connector (female)   | Plug connector (male) |
|------------|---|-----------------------|
| 2          |  <p style="text-align: right;">PH805-02028</p> |                       |

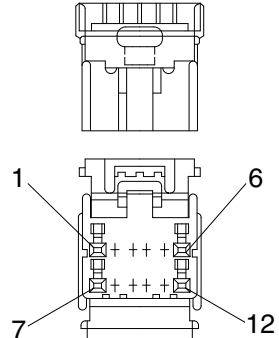
### 9) AMP ECONOSEAL CONNECTOR

| No. of pin | Receptacle connector (female)  | Plug connector (male)   |
|------------|--|---|
| 36         |  <p style="text-align: right;">344111-1</p> |  <p style="text-align: right;">344108-1</p> |

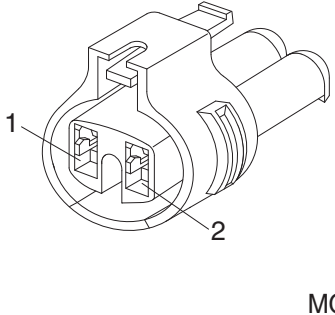
### 10) AMP TIMER CONNECTOR

| No. of pin | Receptacle connector (female)   | Plug connector (male) |
|------------|---|-----------------------|
| 2          |  <p style="text-align: right;">85202-1</p> |                       |

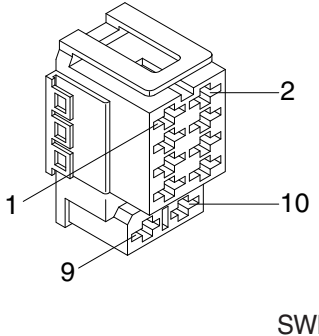
### 11) AMP 040 MULTILOCK CONNECTOR

| No. of pin | Receptacle connector (female)  | Plug connector (male) |
|------------|--|-----------------------|
| 12         |  <p style="text-align: right;">174045-2</p> |                       |

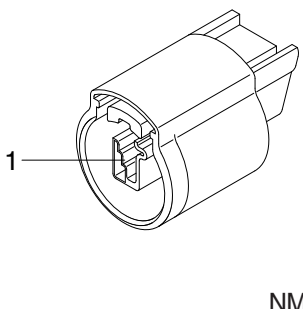
### 12) KET 090 WP CONNECTORS

| No. of pin | Receptacle connector (female)  | Plug connector (male) |
|------------|--|-----------------------|
| 2          |  <p style="text-align: right;">MG640795</p> |                       |

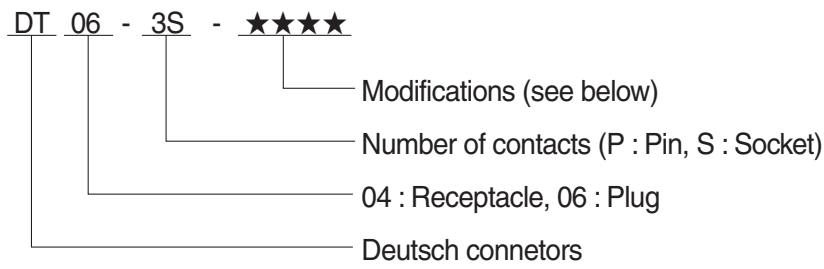
### 13) ITT SWF CONNECTOR

| No. of pin | Receptacle connector (female)  | Plug connector (male) |
|------------|--|-----------------------|
| 10         |  <p style="text-align: right;">SWF593757</p> |                       |

### 14) MWP NMWP CONNECTOR

| No. of pin | Receptacle connector (female)   | Plug connector (male) |
|------------|---|-----------------------|
| 1          |  <p style="text-align: right;">NMWP01F-B</p> |                       |

## 15) DEUTSCH DT CONNECTORS



※ Modification

E003 : Standard end cap - gray

E004 : Color of connector to be black

E005 : Combination - E004 & E003

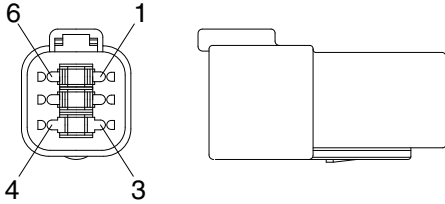
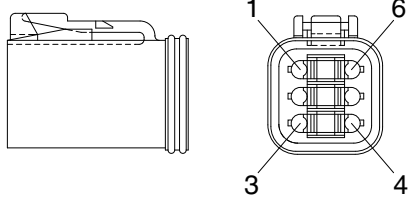
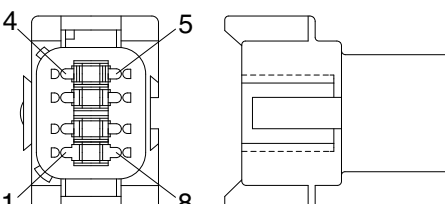
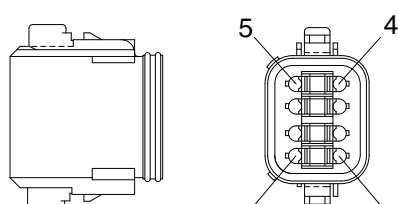
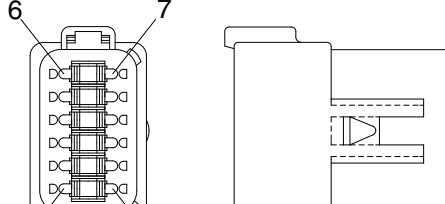
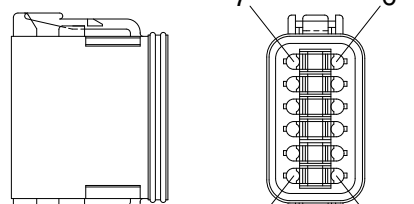
EP04 : End cap

EP06 : Combination P012 & EP04

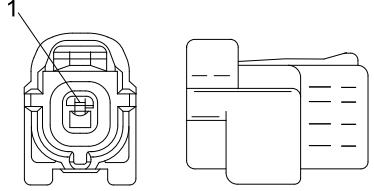
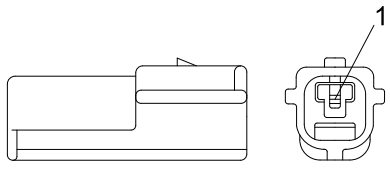
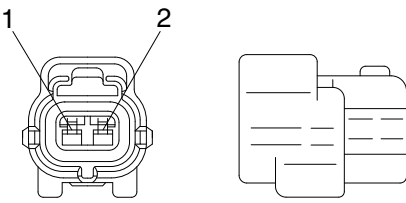
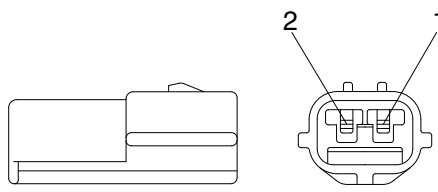
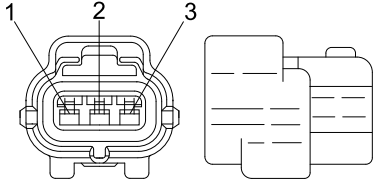
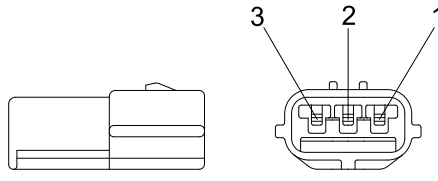
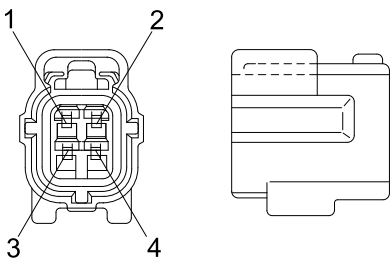
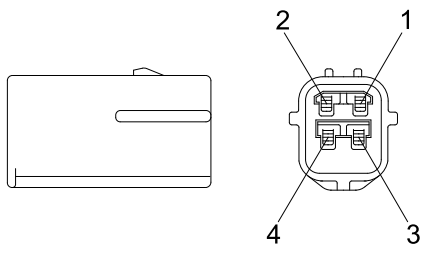
P012 : Front seal enhancement - connectors color to black for 2, 3, 4 & 6pin

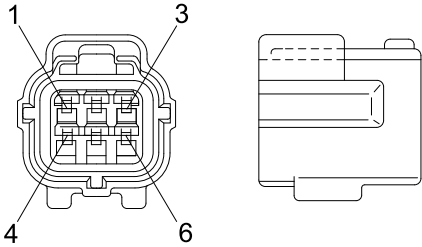
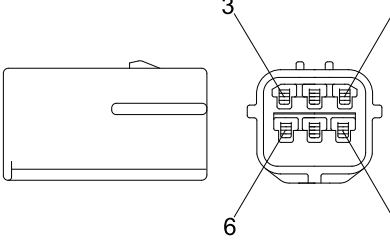
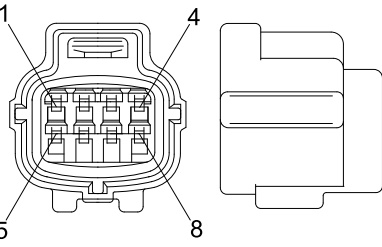
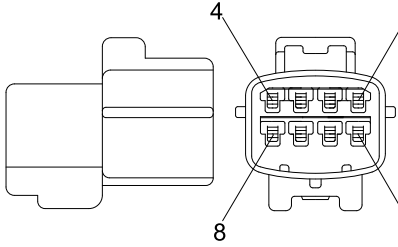
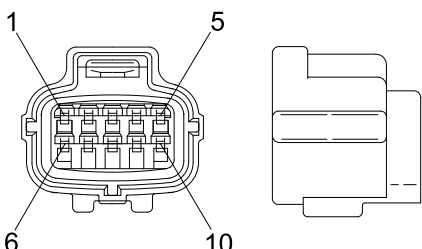
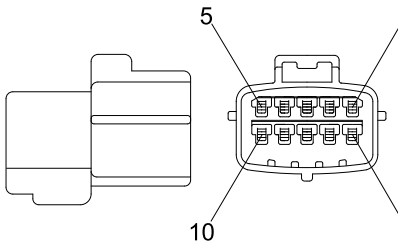
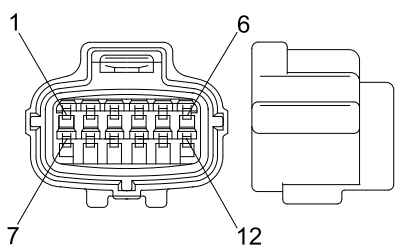
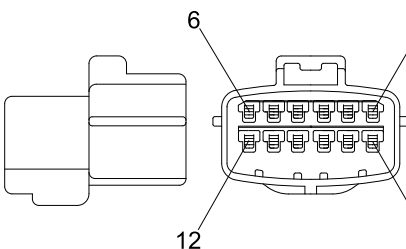
| No. of pin | Receptacle connector (female)             | Plug connector (male)                     |
|------------|---|---|
| 2          | <p style="text-align: right;">DT06-2S</p> | <p style="text-align: right;">DT04-2P</p> |
| 3          | <p style="text-align: right;">DT06-3S</p> | <p style="text-align: right;">DT04-3P</p> |
| 4          | <p style="text-align: right;">DT06-4S</p> | <p style="text-align: right;">DT04-4P</p> |

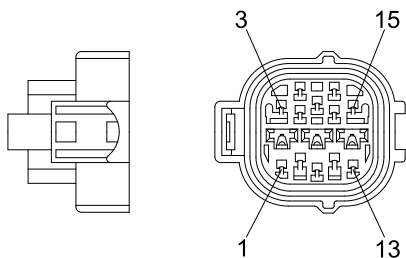
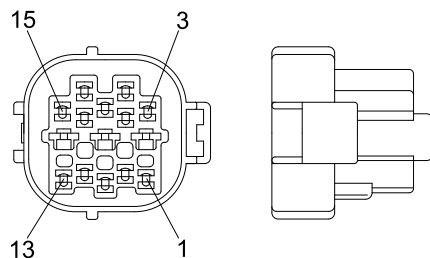


| No. of pin | Receptacle connector (female)  | Plug connector (male)   |
|------------|--|---|
| 6          |  <p style="text-align: right;">DT06-6S</p>    |  <p style="text-align: right;">DT04-6P</p>    |
| 8          |  <p style="text-align: right;">DT06-8S</p>    |  <p style="text-align: right;">DT04-8P</p>    |
| 12         |  <p style="text-align: right;">DT06-12S</p> |  <p style="text-align: right;">DT04-12P</p> |

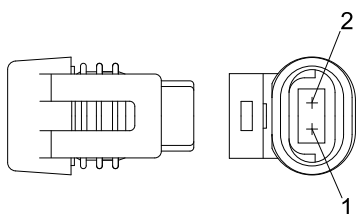
### 16) ECONOSEAL J TYPE CONNECTORS

| No. of pin | Receptacle connector (female)   | Plug connector (male)   |
|------------|---|---|
| 1          |  <p style="text-align: right;">S816-001002</p>   |  <p style="text-align: left;">S816-101002</p>   |
| 2          |  <p style="text-align: right;">S816-002002</p>  |  <p style="text-align: left;">S816-102002</p>  |
| 3          |  <p style="text-align: right;">S816-003002</p> |  <p style="text-align: left;">S816-103002</p> |
| 4          |  <p style="text-align: right;">S816-004002</p> |  <p style="text-align: left;">S816-104002</p> |

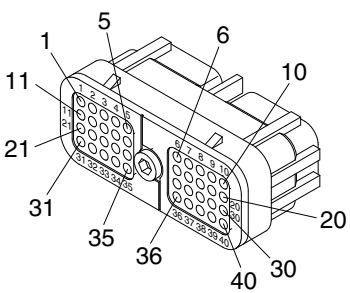
| No. of pin | Receptacle connector (female)  | Plug connector (male)   |
|------------|--|---|
| 6          |  <p data-bbox="686 638 837 672">S816-006002</p>     |  <p data-bbox="1244 638 1396 672">S816-106002</p>     |
| 8          |  <p data-bbox="686 1041 837 1075">S816-008002</p>   |  <p data-bbox="1244 1041 1396 1075">S816-108002</p>   |
| 10         |  <p data-bbox="686 1444 837 1478">S816-010002</p> |  <p data-bbox="1244 1444 1396 1478">S816-110002</p> |
| 12         |  <p data-bbox="686 1848 837 1881">S816-012002</p> |  <p data-bbox="1244 1848 1396 1881">S816-112002</p> |

| No. of pin | Receptacle connector (female)   | Plug connector (male)   |
|------------|---|---|
| 15         |  <p data-bbox="730 633 834 660">368301-1</p> |  <p data-bbox="1276 633 1380 660">2-85262-1</p> |

### 17) METRI-PACK TYPE CONNECTOR

| No. of pin | Receptacle connector (female)  | Plug connector (male) |
|------------|--|-----------------------|
| 2          |  <p data-bbox="726 1236 837 1263">12040753</p> |                       |

### 18) DEUTSCH MCU CONNECTOR

| No. of pin | Receptacle connector (Female)   | Plug connector (Male) |
|------------|---|-----------------------|
| 40         |  <p data-bbox="638 1841 837 1868">DRC26-40SA/B/C</p> |                       |