

SECTION 7 ELECTRICAL SYSTEM

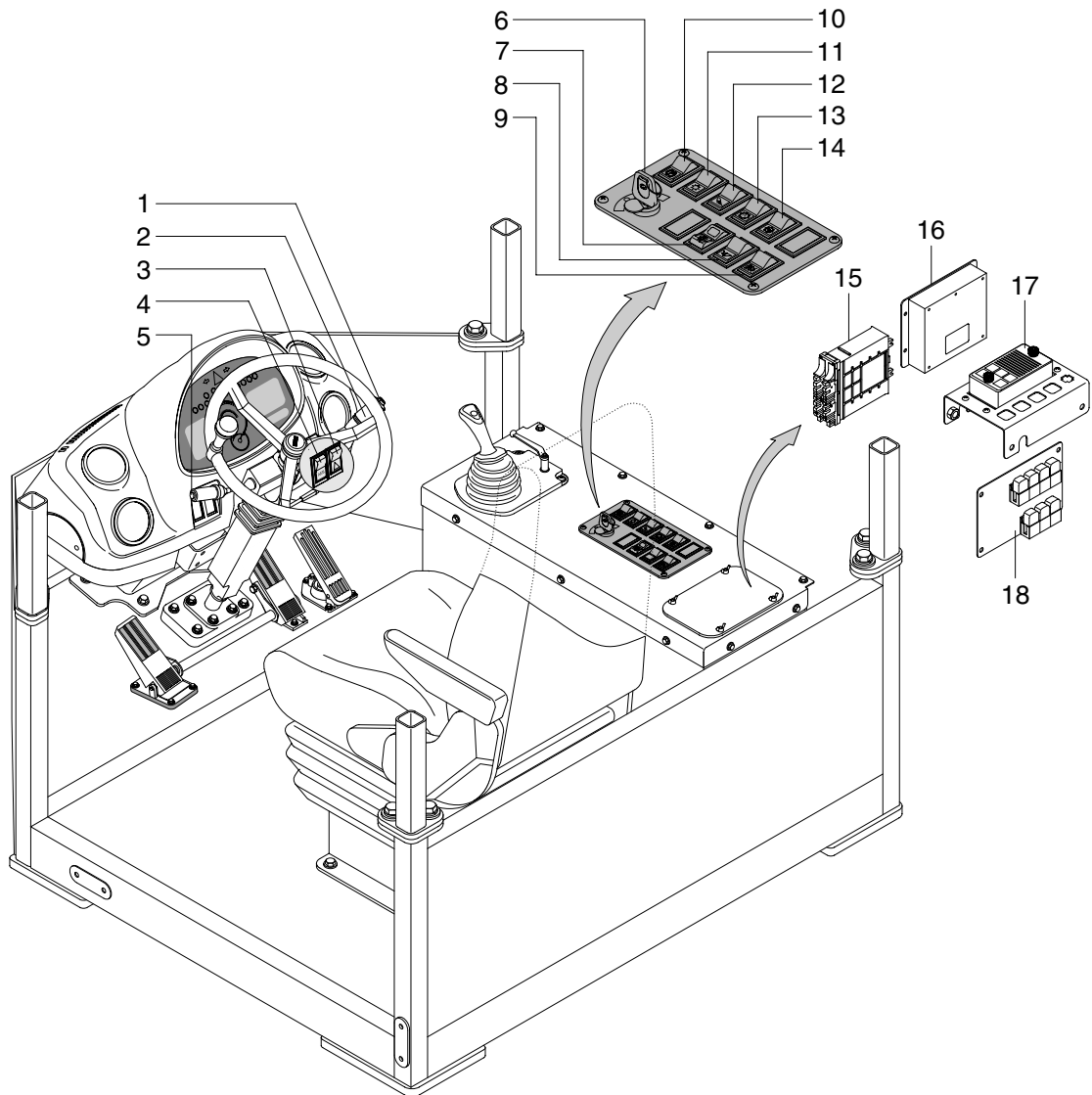
Group 1 Component Location	7-1
Group 2 Electrical Circuit	7-4
Group 3 Monitoring System	7-25
Group 4 Electrical Component Specification	7-39
Group 5 Connectors	7-46
Group 6 Troubleshooting	7-50

SECTION 7 ELECTRICAL SYSTEM

GROUP 1 COMPONENT LOCATION

1. LOCATION 1

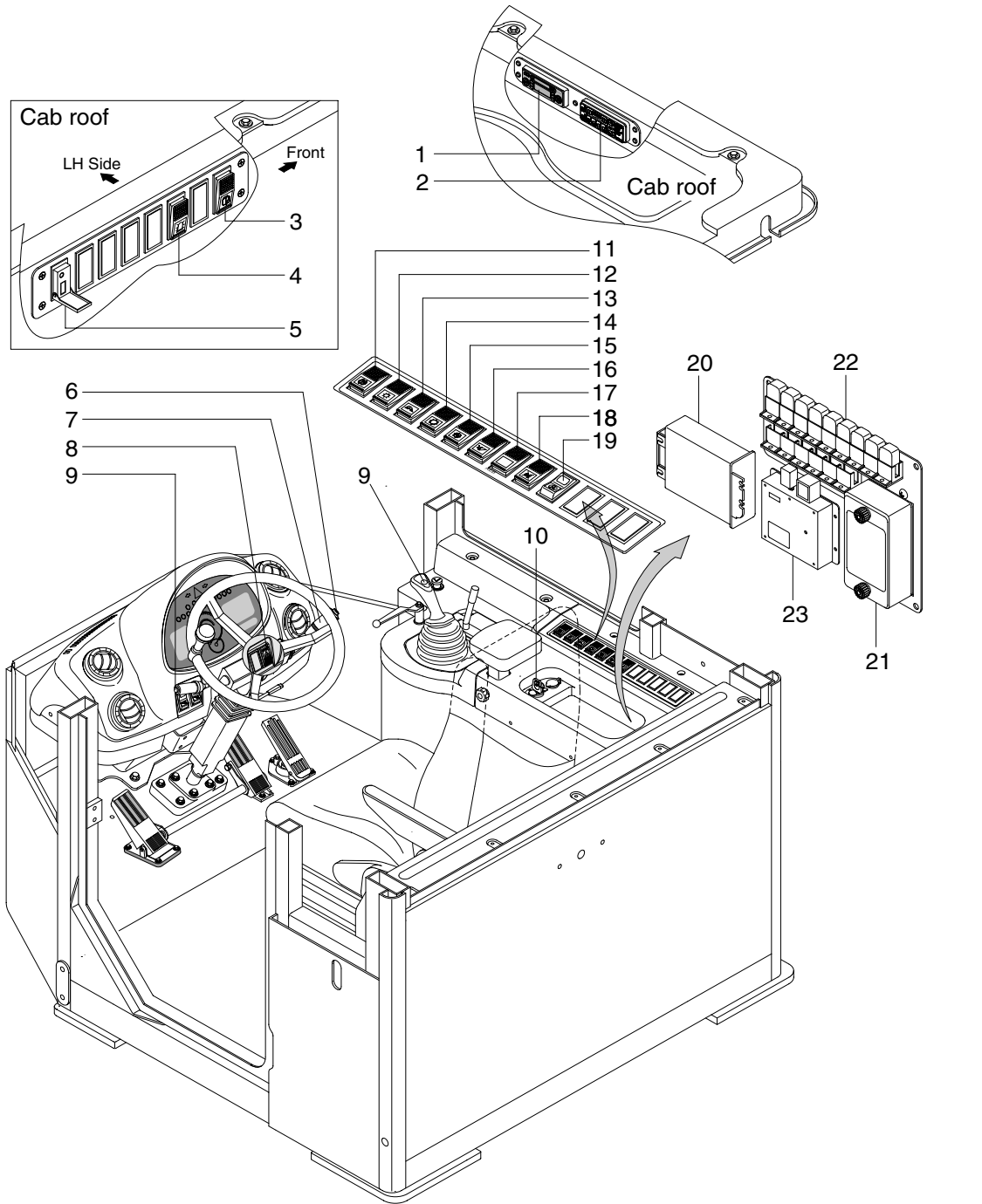
· Canopy type



7407B7EL02

- | | | | | | |
|---|-----------------------|----|---------------------------|----|----------------------------|
| 1 | Horn switch | 7 | Motor pump switch (opt) | 13 | Auto shift select switch |
| 2 | Multi function switch | 8 | Ride control switch (opt) | 14 | Clutch cut off switch |
| 3 | Hazard switch | 9 | Buzzer stop switch | 15 | Machine control unit (MCU) |
| 4 | AEB switch | 10 | Parking brake switch | 16 | T/M control unit (TCU) |
| 5 | Kick down switch | 11 | Main light switch | 17 | Fuse box |
| 6 | Starting switch | 12 | Work lamp switch | 18 | Relay board |

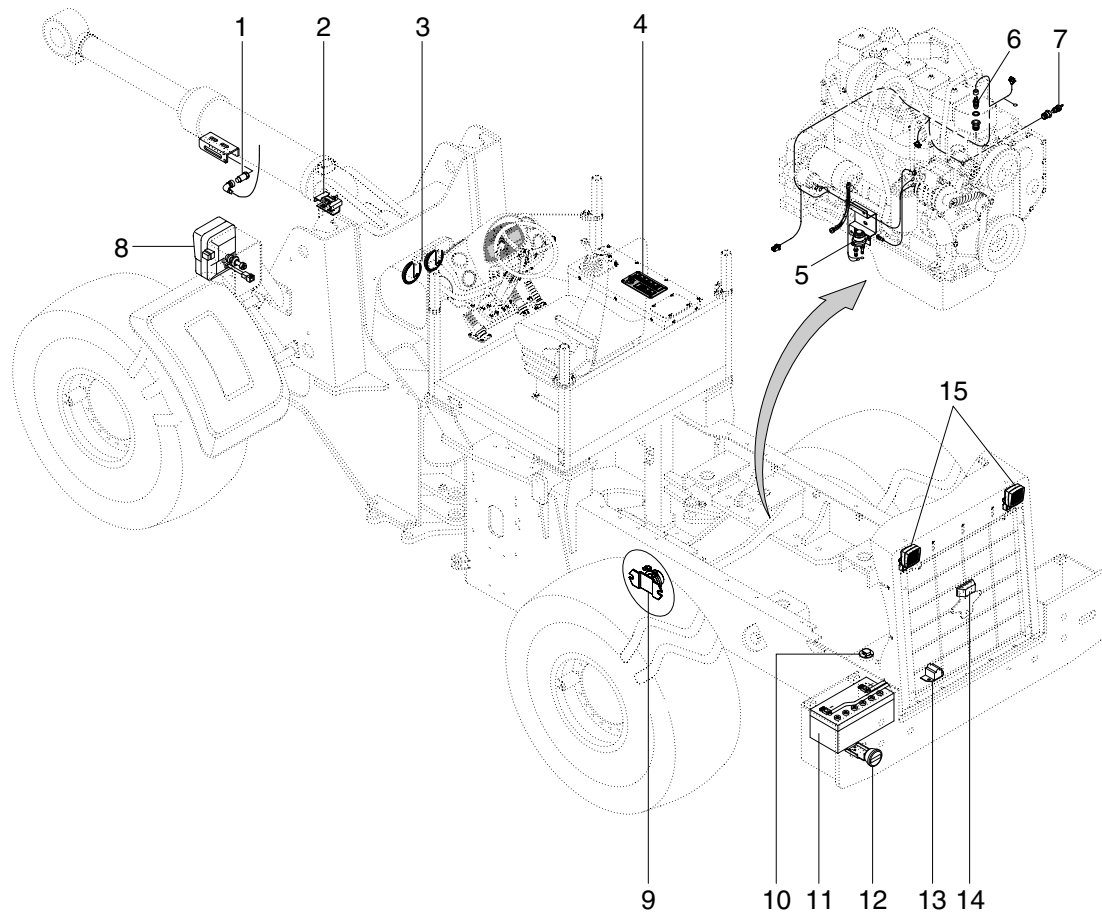
· Cab type (option)



7407B7EL02-1

- | | | | | | |
|---|----------------------------|----|---------------------------|----|----------------------------|
| 1 | Radio & USB/MP3 player | 9 | Kick down switch | 17 | AEB switch |
| 2 | Aircon & heater switch | 10 | Starting switch | 18 | Buzzer stop switch |
| 3 | Rear wiper / washer switch | 11 | Parking brake switch | 19 | Motor pump switch (opt) |
| 4 | Beacon switch (opt) | 12 | Main light switch | 20 | T/M control unit (TCU) |
| 5 | USB socket | 13 | Work load button | 21 | Fuse box |
| 6 | Horn switch | 14 | Auto shift select switch | 22 | Relay board |
| 7 | Multi function switch | 15 | Clutch cut off switch | 23 | Machine control unit (MCU) |
| 8 | Hazard switch | 16 | Ride control switch (opt) | | |

2. LOCATION 2



- | | | | | | |
|---|------------------------|----|----------------------------|----|-------------------|
| 1 | Proximate switch (opt) | 6 | Coolant temperature sensor | 11 | Battery |
| 2 | Proximate switch (opt) | 7 | Pressure oil switch | 12 | Rear combi lamp |
| 3 | Horn | 8 | Head lamp | 13 | Back buzzer |
| 4 | Switch board | 9 | Battery relay | 13 | Number plate lamp |
| 5 | Start relay | 10 | Fuel sender | 14 | Work lamp |

7407S7EL02