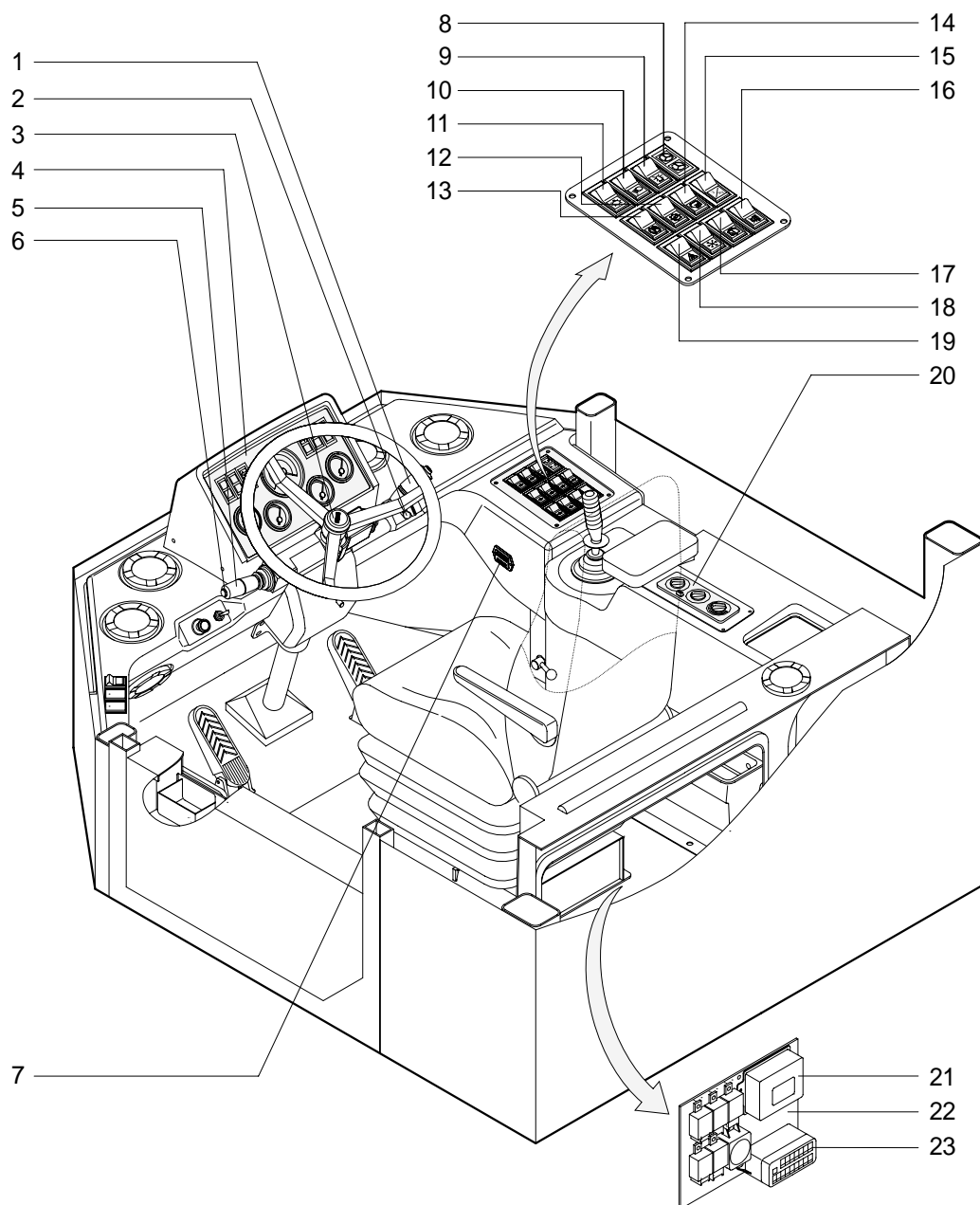


# SECTION 7 ELECTRICAL SYSTEM

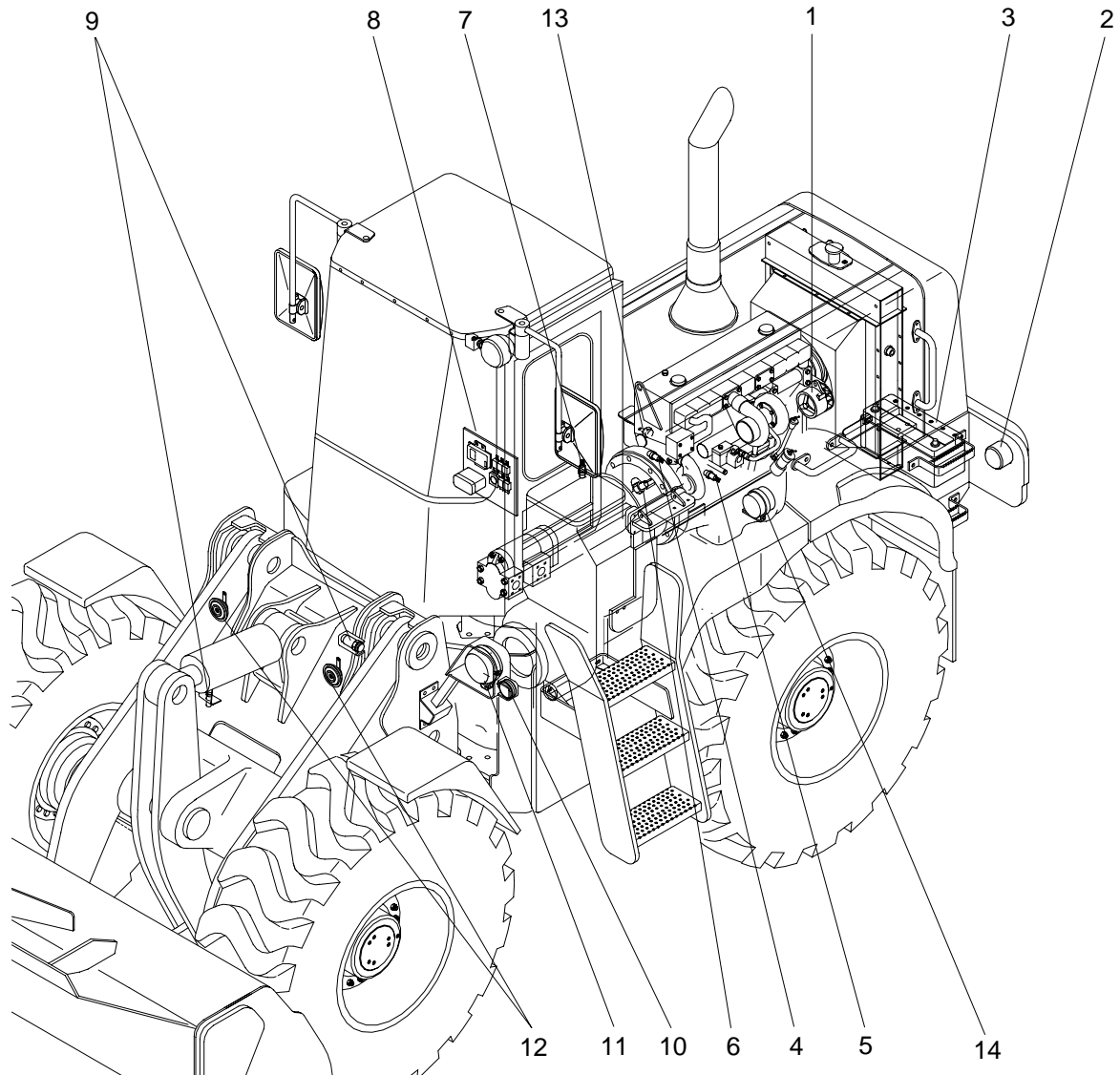
## GROUP 1 COMPONENT LOCATION

### 1. LOCATION 1



- |   |   |    |                             |    |                          |
|---|---|----|-----------------------------|----|--------------------------|
| 1 | Multi function switch                   | 9  | Beacon switch(Optional)     | 17 | Rear wiper/washer switch |
| 2 | Starting switch                         | 10 | Work lamp switch            | 18 | Air conditioner switch   |
| 3 | Horn button                             | 11 | Main light switch           | 19 | Hazard switch            |
| 4 | Cluster                                 | 12 | Clutch cut off switch       | 20 | Aircon & heater switch   |
| 5 | EGS lever                               | 13 | Parking brake switch        | 21 | Check unit               |
| 6 | Kick down switch                        | 14 | Cold start switch(Optional) | 22 | Relay board              |
| 7 | Service meter                           | 15 | EGS prolix switch           | 23 | Fuse box                 |
| 8 | Emergency steering pilot lamp(Optional) | 16 | Buzzer stop switch          |    |                          |

## 2. LOCATION 2



- |   |                       |    |                            |    |                            |
|---|-----------------------|----|----------------------------|----|----------------------------|
| 1 | Alternator            | 6  | T/M temp sensor            | 11 | Light                      |
| 2 | Rear combination lamp | 7  | Clutch oil pressure switch | 12 | Air horn                   |
| 3 | Battery               | 8  | Relay board                | 13 | Engine oil pressure switch |
| 4 | Overheat switch       | 9  | Proximate switch           | 14 | Back up buzzer             |
| 5 | Coolant temp sensor   | 10 | Front combination lamp     |    |                            |