

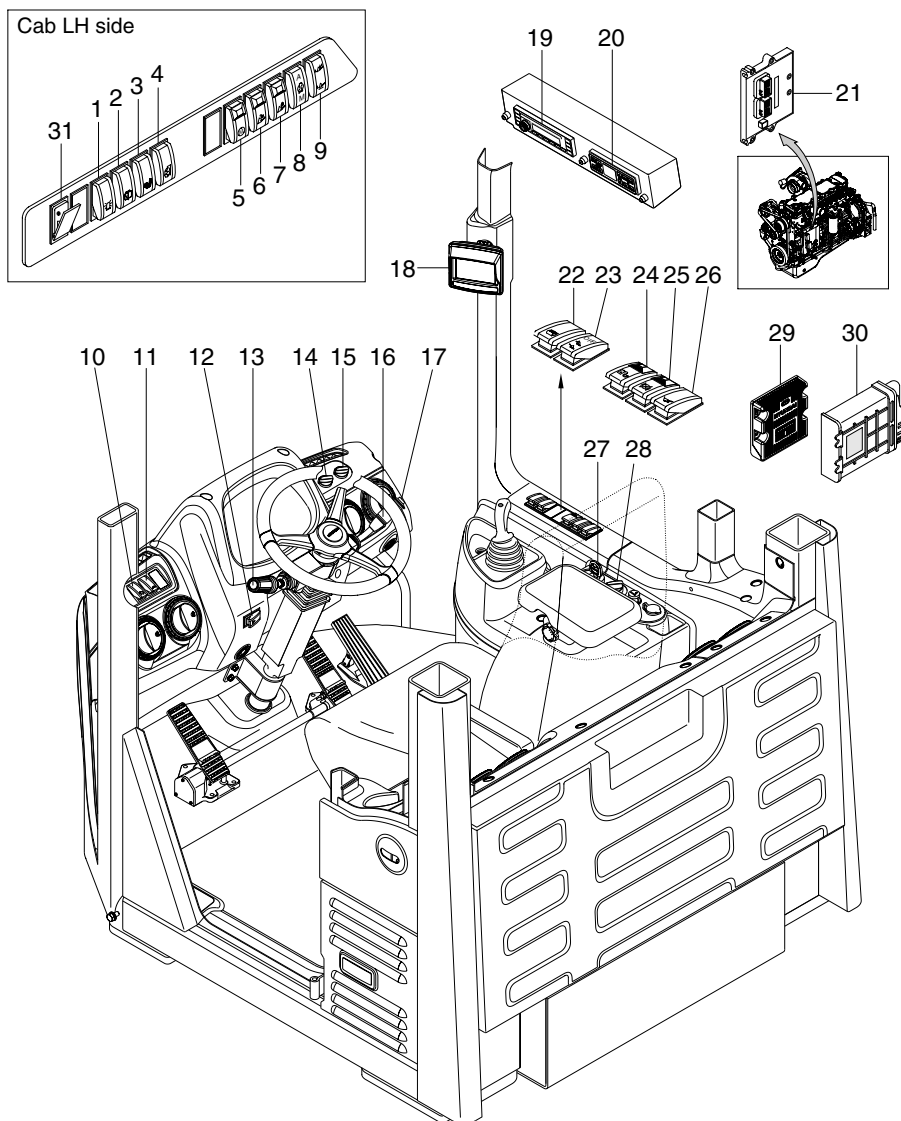
SECTION 7 ELECTRICAL SYSTEM

Group 1 Component Location	7-1
Group 2 Electrical Circuit	7-3
Group 3 Monitoring System	7-21
Group 4 Electrical Component Specification	7-51
Group 5 Connectors	7-58
Group 6 Troubleshooting	7-78

SECTION 7 ELECTRICAL SYSTEM

GROUP 1 COMPONENT LOCATION

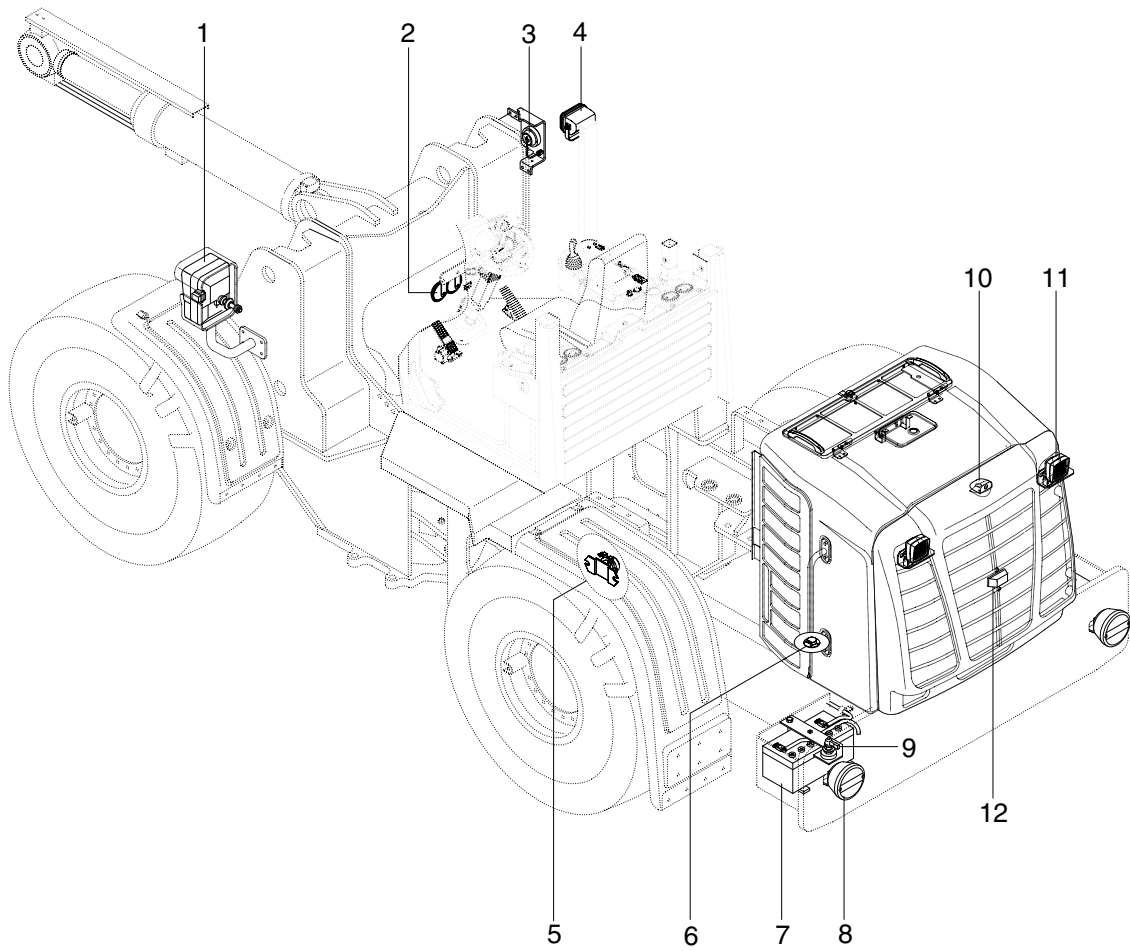
1. LOCATION 1



74097EL00

- | | | |
|--|-------------------------------|-------------------------------|
| 1 Beacon switch (opt) | 11 Work lamp switch | 22 Workload switch |
| 2 Rear wiper / washer switch | 12 Kick down switch | 23 Detent enable switch |
| 3 Heated seat switch | 13 Hazard switch | 24 Starting switch |
| 4 Mirror defrost switch | 14 T/M shift mode switch | 25 Engine mode switch |
| 5 Emergency test switch (opt) | 15 Clutch cut off mode switch | 26 Pilot cut off switch |
| 6 Attachment unlock switch (opt) | 16 Multi function switch | 27 Parking brake switch |
| 7 Attachment lock switch (opt) | 17 Horn switch | 28 Ride control switch (opt) |
| 8 Fan control switch | 18 Monitor | 29 Machine control unit (MCU) |
| 9 Boom kickout & bucket leveler set switch | 19 Radio & USB/MP3 player | 30 T/M control unit (TCU) |
| 10 Main light switch | 20 Aircon & heater switch | 31 USB socket |
| | 21 Engine control unit (ECU) | |

2. LOCATION 2



74097EL02-1

- | | | | | | |
|---|--------------|---|-----------------|----|-------------------|
| 1 | Head lamp | 5 | Start relay | 9 | Master switch |
| 2 | Horn | 6 | Fuel sender | 10 | Camera (opt) |
| 3 | Angle sensor | 7 | Battery | 11 | Work lamp |
| 4 | Work lamp | 8 | Rear combi lamp | 12 | Number plate lamp |