

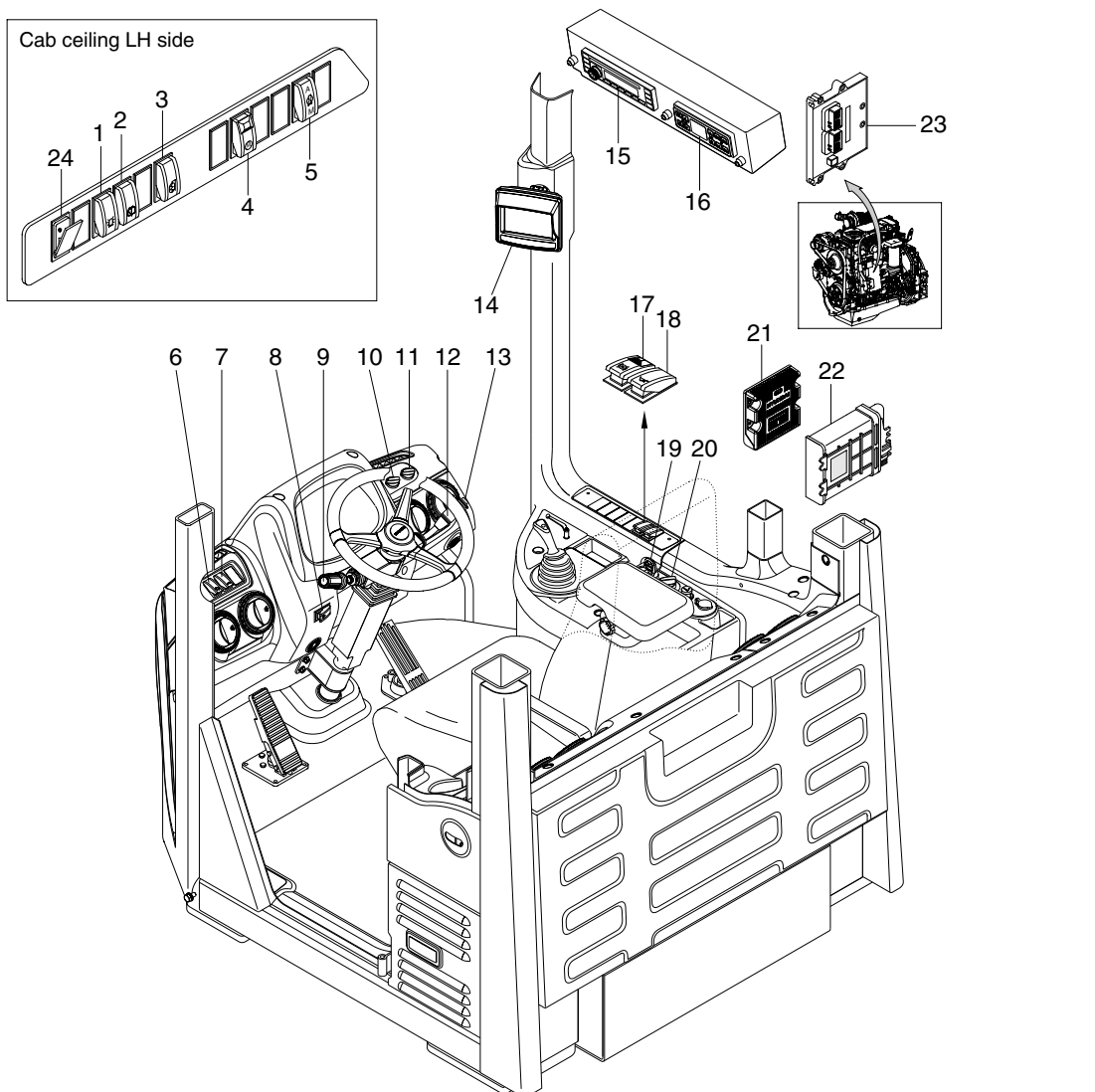
SECTION 7 ELECTRICAL SYSTEM

| | |
|--|------|
| Group 1 Component Location | 7-1 |
| Group 2 Electrical Circuit | 7-3 |
| Group 3 Monitoring System | 7-21 |
| Group 4 Electrical Component Specification | 7-48 |
| Group 5 Connectors | 7-55 |
| Group 6 Troubleshooting | 7-75 |

SECTION 7 ELECTRICAL SYSTEM

GROUP 1 COMPONENT LOCATION

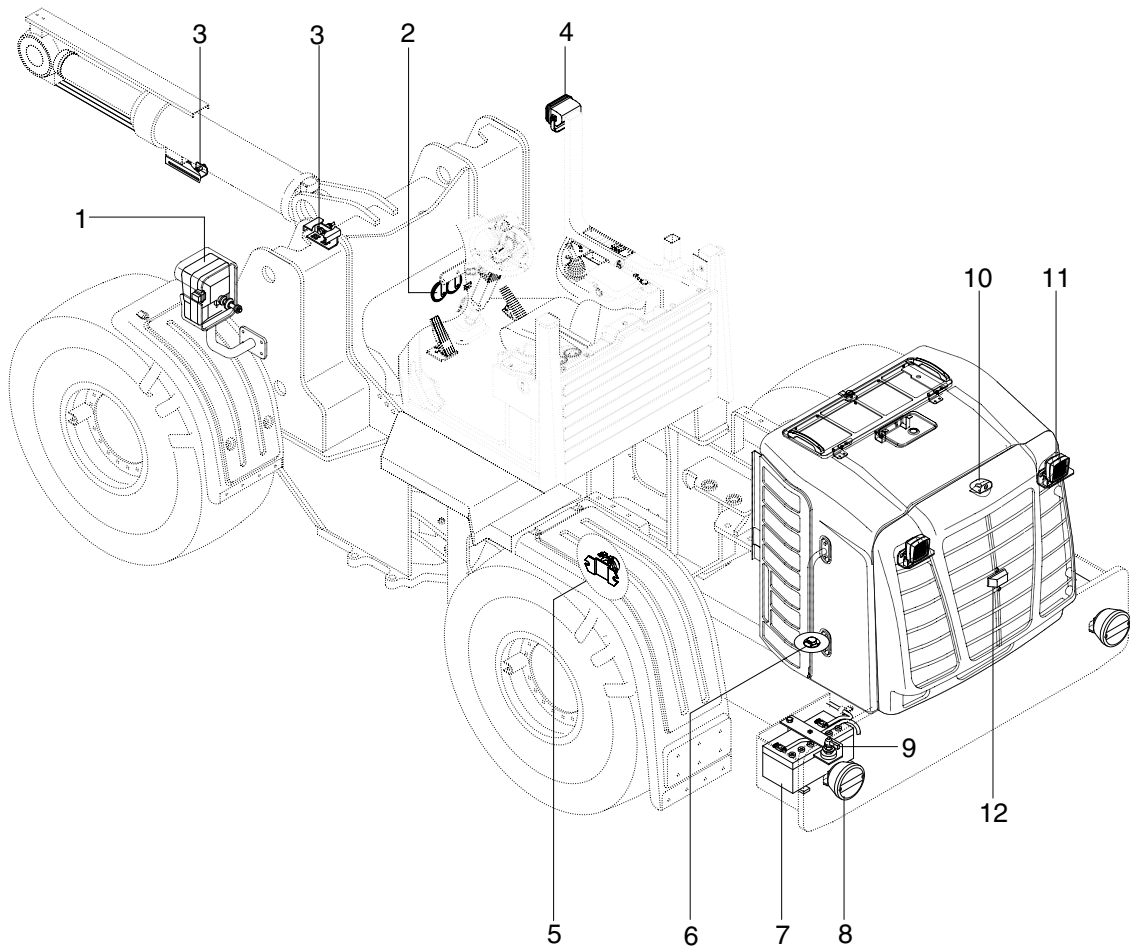
1. LOCATION 1



7309S7EL02

- | | | |
|-------------------------------|-------------------------------|-------------------------------|
| 1 Beacon switch (opt) | 9 Kick down switch | 17 Parking brake switch |
| 2 Rear wiper / washer switch | 10 T/M shift mode switch | 18 Ride control switch (opt) |
| 3 Mirror defrost switch | 11 Clutch cut off mode switch | 19 Starting switch |
| 4 Emergency test switch (opt) | 12 Multi function switch | 20 Engine mode switch |
| 5 Fan control switch | 13 Horn switch | 21 Machine control unit (MCU) |
| 6 Main light switch | 14 Monitor | 22 T/M control unit (TCU) |
| 7 Work lamp switch | 15 Radio & USB player | 23 Engine control unit (ECU) |
| 8 Hazard switch | 16 Aircon & heater switch | 24 USB socket |

2. LOCATION 2



7409S7EL02-1

- | | | | | | |
|---|------------------|---|-----------------|----|-------------------|
| 1 | Head lamp | 5 | Start relay | 9 | Master switch |
| 2 | Horn | 6 | Fuel sender | 10 | Camera (opt) |
| 3 | Proximity switch | 7 | Battery | 11 | Work lamp |
| 4 | Work lamp | 8 | Rear combi lamp | 12 | Number plate lamp |