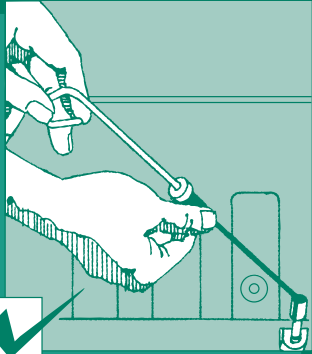
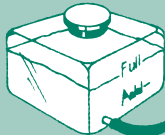




Owners Manual QSB4.5 and QSB6.7 Engine



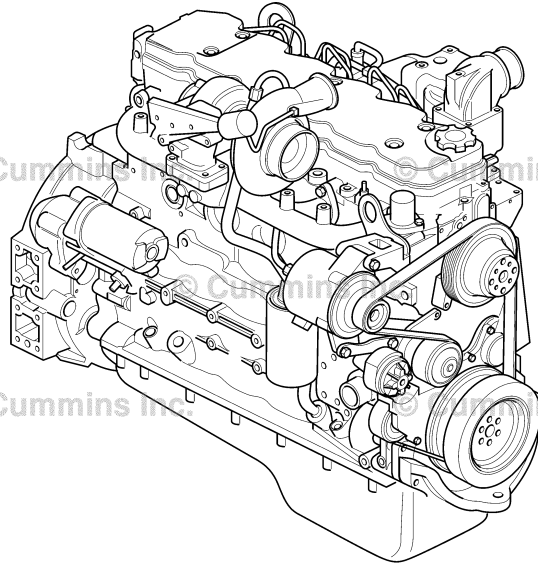
Cummins Customer Assistance Center

1-800-DIESELS™ (1-800-343-7357)

APPLICABLE ONLY IN U.S.A. AND CANADA



Owners Manual QSB4.5 and QSB6.7 Engine



00d00182

Copyright© 2013
Cummins Inc.
All rights reserved

Bulletin 4915973
Printed 11-MARCH-2013

Foreword

This manual contains information for the correct operation and maintenance of your Cummins engine.

Read and follow all safety instructions. Refer to the WARNING in the General Safety Instructions in Section i - Introduction.

Keep this manual with the equipment. If the equipment is traded or sold, give the manual to the new owner.


The information, specifications, and recommended maintenance guidelines in this manual are based on information in effect at the time of printing. Cummins Inc. reserves the right to make changes at any time without obligation. If you find differences between your engine and the information in this manual, contact your local Cummins Authorized Repair Location or call 1-800-DIESELS (1-800-343-7357) toll free in the U.S. and Canada.

The latest technology and the highest quality components were used to produce this engine. When replacement parts are needed, we recommend using only genuine Cummins or ReCon® exchange parts.

NOTE: Warranty information is located in Section W. Make sure you are familiar with the warranty or warranties applicable to your engine.

Table of Contents

	Section
Introduction	i
Engine and System Identification	E
Operating Instructions	1
Maintenance Guidelines	2
Service Literature	L
Maintenance Specifications	V
Warranty	W
Back	back



Important Reference Numbers

Fill in the part name and number in the blank spaces provided below. This will give you a reference whenever service or maintenance is required.

Name	Number	Number
Engine Model		
Engine Serial Number (ESN)		
Control Parts List (CPL)		
Fuel Pump Part Number		
Electronic Control Module (ECM)		
Electronic Control Module Serial Numbers (ECM)		
Filter Part Numbers:		
• Air Cleaner Element		
• Lubricating Oil		
• Fuel		
• Fuel-Water Separator		
• Coolant		
• Crankcase Ventilation		
• Cummins Particulate Filter		
Governor Control Module (GCM) (if applicable)		
Belt Part Numbers:		

•		
•		
•		
Clutch or Marine Gear (if applicable):		
• Model		
• Serial Number		
• Part Number		
• Oil Type		
• Sea Water Pump		
- Model		
- Part Number		

Section i - Introduction

Section Contents

	Page
Acronyms and Abbreviations	i-7
General Information.....	i-7
General Safety Instructions	i-3
Important Safety Notice.....	i-3
Illustrations	i-2
General Information.....	i-2
Symbols	i-1
General Information.....	i-1

This Page Left Intentionally Blank

Symbols

General Information

The following symbols have been used in this manual to help communicate the intent of the instructions. When one of the symbols appears, it conveys the meaning defined below:



WARNING - Serious personal injury or extensive property damage can result if the warning instructions are **not** followed.



CAUTION - Minor personal injury can result or a part, an assembly, or the engine can be damaged if the caution instructions are **not** followed.



Indicates a **REMOVAL** or **DISASSEMBLY** step.



Indicates an **INSTALLATION** or **ASSEMBLY** step.



INSPECTION is required.



CLEAN the part or assembly.



PERFORM a mechanical or time **MEASUREMENT**.



LUBRICATE the part or assembly.



Indicates that a **WRENCH** or **TOOL SIZE** will be given.



TIGHTEN to a specific torque.



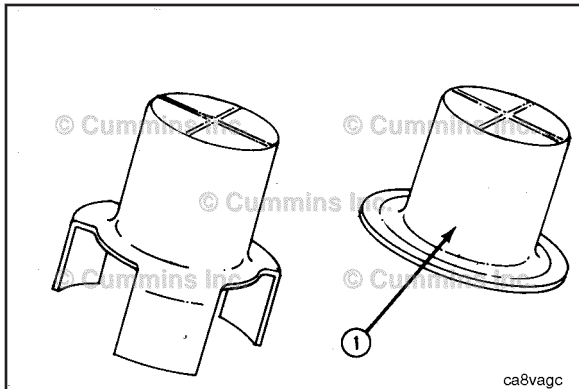
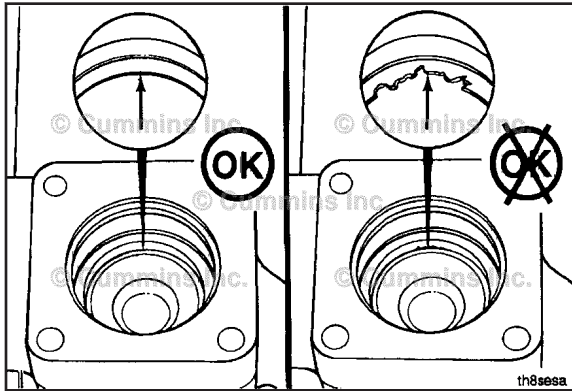
PERFORM an electrical **MEASUREMENT**.



Refer to another location in this manual or another publication for additional information.



The component weighs 23 kg [50 lb] or more. To avoid personal injury, use a hoist or get assistance to lift the component.



Illustrations

General Information

Some of the illustrations throughout this manual are generic and will **not** look exactly like the engine or parts used in your application. The illustrations can contain symbols to indicate an action required and an acceptable or **not** acceptable condition.

The illustrations are intended to show repair or replacement procedures. The procedure will be the same for all applications, although the illustration can differ.

General Safety Instructions

Important Safety Notice



Improper practices, carelessness, or ignoring the warnings can cause burns, cuts, mutilation, asphyxiation or other personal injury or death.

Read and understand all of the safety precautions and warnings before performing any repair. This list contains the general safety precautions that **must** be followed to provide personal safety. Special safety precautions are included in the procedures when they apply.

- Work in an area surrounding the product that is dry, well lit, ventilated, free from clutter, loose tools, parts, ignition sources and hazardous substances. Be aware of hazardous conditions that can exist.
- **Always** wear protective glasses and protective shoes when working.
- Rotating parts can cause cuts, mutilation or strangulation.
- Do **not** wear loose-fitting or torn clothing. Remove all jewelry when working.
- Disconnect the battery (negative [-] cable first) and discharge any capacitors before beginning any repair work. Disconnect the air starting motor if equipped to prevent accidental engine starting. Put a "Do **Not** Operate" tag in the operator's compartment or on the controls.
- Use **ONLY** the proper engine barring techniques for manually rotating the engine. Do **not** attempt to rotate the crankshaft by pulling or prying on the fan. This practice can cause serious personal injury, property damage, or damage to the fan blade(s) causing premature fan failure.
- If an engine has been operating and the coolant is hot, allow the engine to cool before slowly loosening the filler cap to relieve the pressure from the cooling system.

- **Always** use blocks or proper stands to support the product before performing any service work. Do **not** work on anything that is supported ONLY by lifting jacks or a hoist.
- Relieve all pressure in the air, oil, fuel, and cooling systems before any lines, fittings, or related items are removed or disconnected. Be alert for possible pressure when disconnecting any device from a system that utilizes pressure. Do **not** check for pressure leaks with your hand. High pressure oil or fuel can cause personal injury.
- To reduce the possibility of suffocation and frostbite, wear protective clothing and ONLY disconnect liquid refrigerant (Freon) lines in a well ventilated area. To protect the environment, liquid refrigerant systems **must** be properly emptied and filled using equipment that prevents the release of refrigerant gas (fluorocarbons) into the atmosphere. Federal law requires capturing and recycling refrigerant.
- To reduce the possibility of personal injury, use a hoist or get assistance when lifting components that weigh 23 kg [50 lb] or more. Make sure all lifting devices such as chains, hooks, or slings are in good condition and are of the correct capacity. Make sure hooks are positioned correctly. **Always** use a spreader bar when necessary. The lifting hooks **must not** be side-loaded.
- Corrosion inhibitor, a component of SCA and lubricating oil, contains alkali. Do **not** get the substance in eyes. Avoid prolonged or repeated contact with skin. Do **not** swallow internally. In case of contact, immediately wash skin with soap and water. In case of contact, immediately flood eyes with large amounts of water for a minimum of 15 minutes. IMMEDIATELY CALL A PHYSICIAN. KEEP OUT OF REACH OF CHILDREN.
- Naptha and Methyl Ethyl Ketone (MEK) are flammable materials and **must** be used with caution. Follow the manufacturer's instructions to provide complete safety when using these materials. KEEP OUT OF REACH OF CHILDREN.
- To reduce the possibility of burns, be alert for hot parts on products that have just been turned off, exhaust gas flow, and hot fluids in lines, tubes, and compartments.
- **Always** use tools that are in good condition. Make sure you understand how to use the tools before performing any service work. Use ONLY genuine Cummins® or Cummins ReCon® replacement parts.

- **Always** use the same fastener part number (or equivalent) when replacing fasteners. Do **not** use a fastener of lesser quality if replacements are necessary.
- When necessary, the removal and replacement of any guards covering rotating components, drives, and/or belts should only be carried out by a trained technician. Before removing any guards the engine **must** be turned off and any starting mechanisms **must** be isolated. All fasteners **must** be replaced on re-fitting the guards.
- Do **not** perform any repair when fatigued or after consuming alcohol or drugs that can impair your functioning.
- Some state and federal agencies in the United States of America have determined that used engine oil can be carcinogenic and can cause reproductive toxicity. Avoid inhalation of vapors, ingestion, and prolonged contact with used engine oil.
- Do **not** connect the jumper starting or battery charging cables to any ignition or governor control wiring. This can cause electrical damage to the ignition or governor.
- **Always** torque fasteners and fuel connections to the required specifications. Overtightening or undertightening can allow leakage. This is critical to the natural gas and liquefied petroleum gas fuel and air systems.
- **Always** test for fuel leaks as instructed, as odorant can fade.
- Close the manual fuel valves prior to performing maintenance and repairs, and when storing the vehicle inside.
- Coolant is toxic. If **not** reused, dispose of in accordance with local environmental regulations.
- The catalyst reagent contains urea. Do **not** get the substance in your eyes. In case of contact, immediately flood eyes with large amounts of water for a minimum of 15 minutes. Avoid prolonged contact with skin. In case of contact, immediately wash skin with soap and water. Do **not** swallow internally. In the event the catalyst reagent is ingested, contact a physician immediately.
- The catalyst substrate contains Vanadium Pentoxide. Vanadium Pentoxide has been determined by the State of California to cause cancer. Always wear protective gloves and eye protection when handling the catalyst assembly. Do not get the catalyst material in your eyes. In Case of contact, immediately flood eyes with large amounts of

water for a minimum of 15 minutes. Avoid prolonged contact with skin. In case of contact, immediately wash skin with soap and water.

- The Catalyst substrate contains Vanadium Pentoxide. Vanadium Pentoxide has been determined by the State of California to cause cancer. In the event the catalyst is being replaced, dispose of in accordance with local regulations.
- California Proposition 65 Warning - Diesel engine exhaust and some of its constituents are known to the State of California to cause cancer, birth defects, and other reproductive harm.

Acronyms and Abbreviations

General Information

The following list contains some of the acronyms and abbreviations used in this manual.

ANSI	American National Standards Institute
API	American Petroleum Institute
ASTM	American Society of Testing and Materials
BTU	British Thermal Unit
BTDC	Before Top Dead Center
°C	Celsius
CO	Carbon Monoxide
CCA	Cold Cranking Amperes
CARB	California Air Resources Board
C.I.B.	Customer Interface Box
C.I.D.	Cubic Inch Displacement
CNG	Compressed Natural Gas
CPL	Control Parts List
cSt	Centistokes
DEF	Diesel Exhaust Fluid
DOC	Diesel Oxidation Catalyst
DPF	Diesel Particulate Filter

ECM	Engine Control Module
EFC	Electronic Fuel Control
EGR	Exhaust Gas Recirculation
EPA	Environmental Protection Agency
°F	Fahrenheit
ft-lb	Foot-Pound Force
FMI	Failure Mode Identifier
GVW	Gross Vehicle Weight
Hg	Mercury
hp	Horsepower
H ₂ O	Water
inHg	Inches of Mercury
in H ₂ O	Inches of Water
ICM	Ignition Control Module
IEC	International Electrotechnical Commission
km/l	Kilometers per Liter
kPa	Kilopascal
LNG	Liquid Natural Gas
LPG	Liquefied Petroleum Gas
LTA	Low Temperature Aftercooling
MIL	Malfunction Indicator Lamp

MPa	Megapascal
mph	Miles Per Hour
mpq	Miles Per Quart
N•m	Newton-meter
NOx	Mono-Nitrogen Oxides
NG	Natural Gas
O2	Oxygen
OBD	On-Board Diagnostics
OEM	Original Equipment Manufacturer
OSHA	Occupational Safety and Health Administration
PID	Parameter Identification Descriptions
ppm	Parts Per Million
psi	Pounds Per Square Inch
PTO	Power Takeoff
REPTO	Rear Power Take Off
RGT	Rear Gear Train
rpm	Revolutions Per Minute
SAE	Society of Automotive Engineers
SCA	Supplemental Coolant Additive
SCR	Selective Catalytic Reduction
STC	Step Timing Control

SID	Subsystem Identification Descriptions
VDC	Volts of Direct Current
VS	Variable Speed
VSS	Vehicle Speed Sensor

Section E - Engine and System Identification

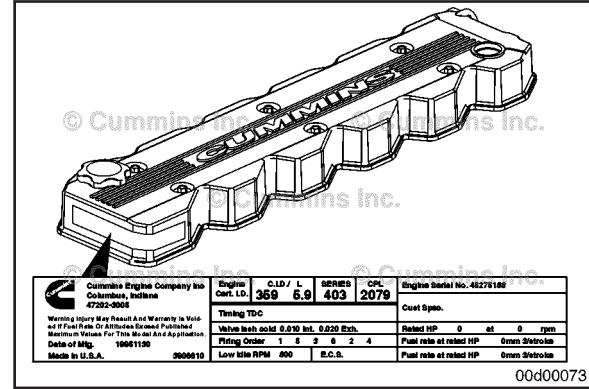
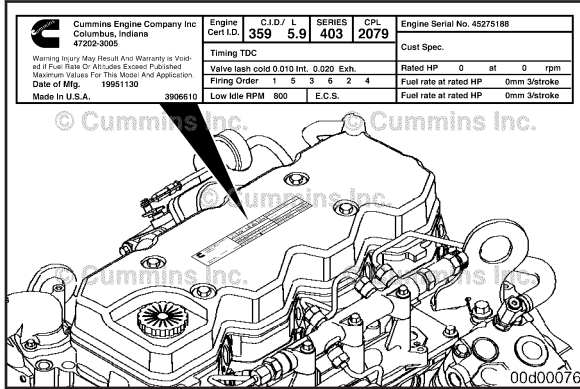
Section Contents

	Page
Engine Identification	E-1
Air Compressor.....	E-7
Cummins® Engine Nomenclature.....	E-5
ECM Dataplate.....	E-6
Engine Dataplate.....	E-1
Fuel Injection Pump Dataplate.....	E-5

This Page Left Intentionally Blank

Engine Identification


Engine Dataplate



The engine dataplate provides important information about the engine. The engine serial number (ESN) and control part list (CPL) provide information for service and for ordering parts. The engine dataplate **must not** be changed unless approved by Cummins Inc.



Have the following engine data available when communicating with a Cummins® Authorized Repair Location. The information on the dataplate is mandatory when sourcing service parts.

NOTE: The engines covered by this manual are produced worldwide. The dataplates used on engines may differ in appearance and location of information. The following illustrations show examples of common dataplates used and the information contained on the dataplate.

MANUFACTURED BY CUMMINS INC.  <small>Assembled in the USA</small> <small>© 3967607</small>	Engine No.	Ref. No.	MODEL	Fuel Rate at Adv. HP	$\frac{\text{Mm}^3}{\text{Stroke}}$	CPL		
	Idle Speed (rpm)	Advertised HP	at	rpm	Family	FEL	EPA	CARB
Date of Mfg: WARNING: Injury may result and warranty is voided if fuel rate, rpm or altitudes exceed published maximum values for this model and application.	Firing Order	Timing: T.D.C. ELECTRONIC	Catalyst No.	NOx+NMHC				
	Valve lash cold	int.	Exh.	C. I. D. / L	/	E. C. S.	PM	
IMPORTANT ENGINE INFORMATION: This engine is exempt from the prohibitions of section 203 (a) (1) (3) & (4) of the Clean Air Act as amended. See exemption label information for exemption no. and effective date.								

QSB4.5 and QSB6.7
Section E - Engine and System Identification

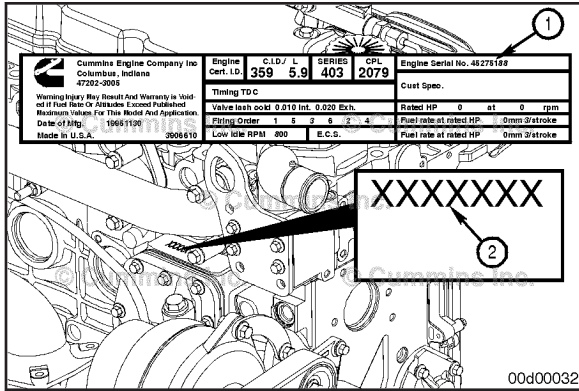
- 1 Engine serial number
- 2 Engine model information
- 3 Control parts list (CPL)
- 4 Valve lash (overhead) setting
- 5 Horsepower and rpm rating.

 MADE IN GREAT BRITAIN BY CUMMINS INC. www.cummins.com			<table border="1"> <tr> <td>24</td> <td>031408</td> <td>0.94</td> </tr> </table>	24	031408	0.94
24	031408	0.94				
Displacement _____ 5.9 Litres Gross Power _____ 184 KW @ 2500rpm Valve lash - [cold] Int. 254 mm, Exh. 508 mm Low idle speed _____ CE184C	E.C Type Approval Numbers e11*72/245*95/54*1413*00 (ESA) e11*88/77*2001/27A*1705*05 Model: -ISBE250 30					
Engine Serial No. _____ 21631663 Date of Mfg _____ 12-01-05 Customer Spec _____ AENB068 DAF ID _____ CE184C	Warning: Injury May Result And Warranty Is Voided If Fuel Rate R M Or Altitudes Exceed Published Maximum Values For This Model And Application 3286647					

00d00271

- 1 Engine serial number
- 2 Engine model information
- 3 Horsepower and rpm rating
- 4 Valve lash (overhead) setting.

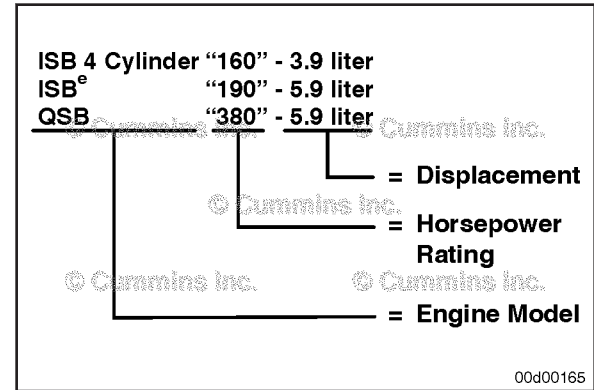
NOTE: Depending on the manufacturing plant, calibration data may also be found on the engine dataplate.



NOTE: If the engine dataplate (1) is **not** legible, the engine serial number (2) can be found on the engine block, on top of the lubricating oil cooler housing. Additional engine information can be found on the electronic control module (ECM) dataplate.

Cummins® Engine Nomenclature

The Cummins® engine nomenclature provides the data as shown in the illustration.

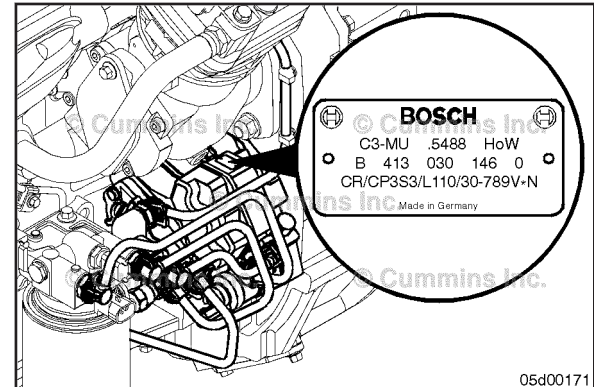


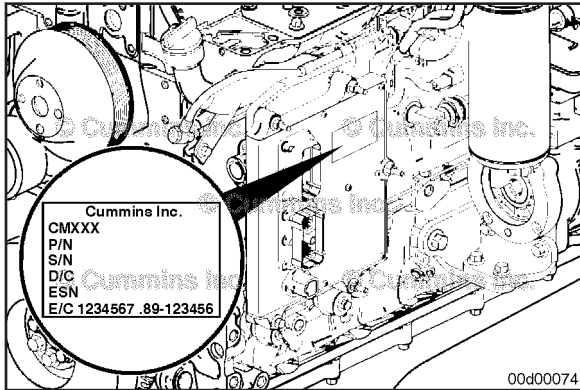
Fuel Injection Pump Dataplate

The Bosch™ fuel injection pump dataplate is located on the fuel pump.

The dataplate contains the following information to assist in servicing or replacement:

- Pump serial number
- Cummins® part number
- Factory code
- Bosch™ part number
- Date code.





ECM Dataplate

The electronic control module (ECM) dataplate shows information about the ECM and how the ECM was programmed. The dataplate is located on the ECM.

The following information is available on the ECM dataplate:

- ECM part number (PN)
- ECM serial number (SN)
- ECM date code (DC)
- Engine serial number (ESN)
- ECM code: Identifies the software in the ECM.

NOTE: Have the ECM code for the engine available when communicating with a Cummins® Authorized Repair Location.

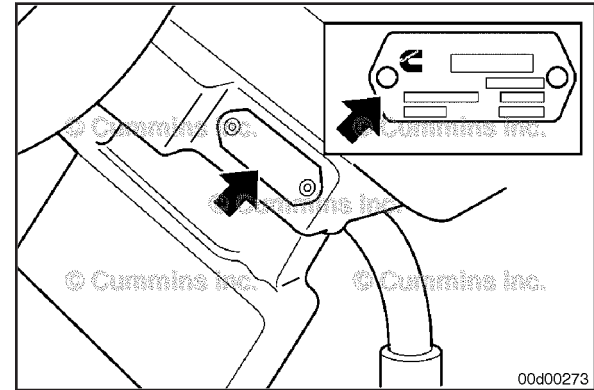
NOTE: The presence of an ECM dataplate depends on the manufacturing plant and the date the engine was manufactured. If an ECM dataplate was **not** installed by the manufacturing plant, calibration data can be found on the engine dataplate.

Air Compressor

NOTE: Not all engines are equipped with an air compressor.

The Cummins® branded air compressor dataplate, identified by the Cummins Inc. logo, is typically located on the side of the air compressor. The dataplate contains the following information to assist in servicing or replacement:

- Cummins® part number
- Serial number
- Date code.



Section 1 - Operating Instructions

Section Contents

	Page
Cold Weather Starting	1-9
General Information.....	1-9
Using Starting Aids.....	1-10
Electromagnetic Interference (EMI)	1-18
General Information.....	1-18
System EMI Radiation Levels.....	1-18
System EMI Susceptibility.....	1-18
Engine Operating Range	1-15
General Information.....	1-15
Engine Shutdown	1-17
General Information.....	1-17
Normal Starting Procedure	1-4
General Information.....	1-4
Jump Starting.....	1-7
Operating Instructions - Overview	1-1
General Information.....	1-1
Operating the Engine	1-11
Cold Weather.....	1-13
Normal.....	1-11
Winterfronts and Shutters.....	1-14
Starting Procedure After Extended Shutdown or Oil Change	1-10

General Information.....1-10

Operating Instructions - Overview

General Information

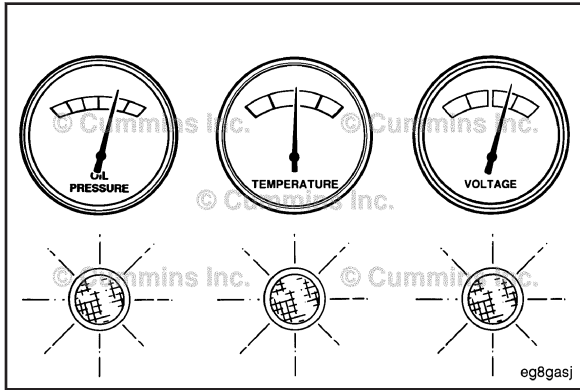


Correct care of your engine will result in longer life, better performance, and more economical operation.

Follow the daily maintenance checks listed in Maintenance Guidelines (Section 2).

The **new** Cummins® engine associated with this manual does **not** require a "break-in" procedure. This section of the manual provides all of the necessary information required for proper engine operation.

U.S. legislation requires that stationary compression ignition internal combustion engines designated for emergency use are limited to emergency operations and required maintenance and testing.



Check the oil pressure indicators, temperature indicators, warning lights, and other gauges daily to make sure they are operational.

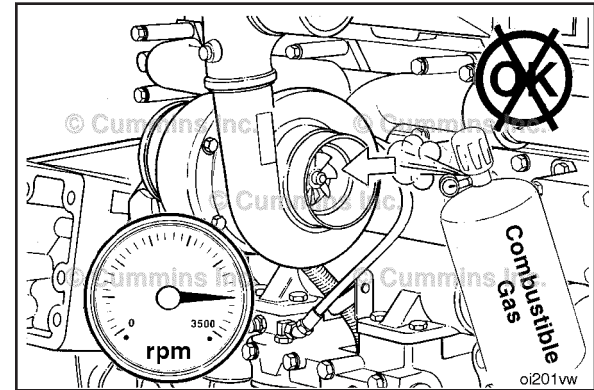
⚠ WARNING ⚠

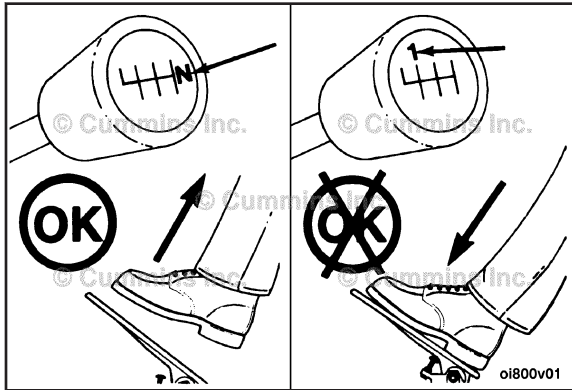
DO NOT OPERATE A DIESEL ENGINE WHERE THERE ARE OR CAN BE COMBUSTIBLE VAPORS. The vapors can be sucked through the air intake system and cause engine acceleration and overspeeding that can result in a fire, an explosion, and extensive property damage. Numerous safety devices are available, such as air intake shutoff devices, to minimize the risk of overspeeding where an engine, due to its application, might operate in a combustible environment, such as due to a fuel spill or gas leak. Remember, Cummins has no way of knowing the use you have for your engine. **THE EQUIPMENT OWNER AND OPERATOR ARE RESPONSIBLE FOR SAFE OPERATION IN A HOSTILE ENVIRONMENT. CONSULT YOUR CUMMINS AUTHORIZED REPAIR LOCATION FOR FURTHER INFORMATION.**

Cummins recommends the installation of an air intake shutoff device or a similar safety device to minimize the risk of overspeeding when an engine is operating in a combustible environment, such as due to a fuel spill or gas leak.

⚠ CAUTION ⚠

Do not expose the engine to corrosive chemicals. Corrosive chemicals can damage the engine.





Normal Starting Procedure

General Information

⚠ WARNING ⚠

Do not depress the accelerator pedal or move the accelerator lever from the idle position while cranking the engine. This can result in engine overspeed and severe damage to the engine.

⚠ CAUTION ⚠

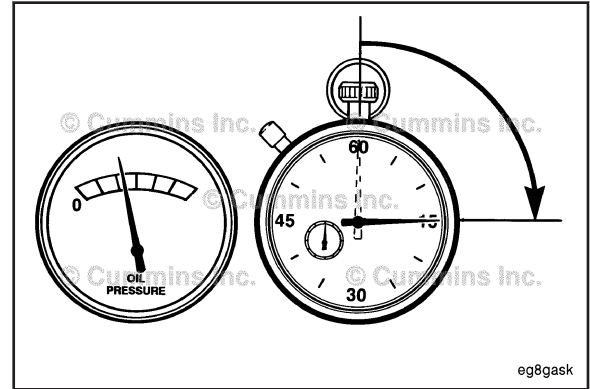
To prevent damage to the starting motor, do not engage the starting motor for more than 30 seconds. Wait 2 minutes between each attempt to start (electrical starting motors only).

NOTE: Engines equipped with air starting motors require a minimum of 480 kPa [70 psi].

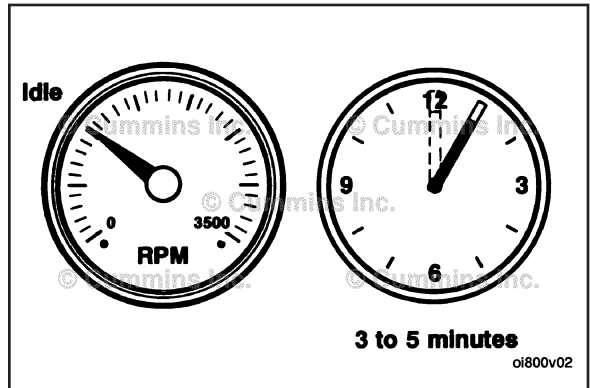
- Disengage the driven unit, or if equipped, put the transmission in neutral.
- With the accelerator pedal or lever in the idle position, turn the key switch to the ON position, and wait for the WAIT-TO-START lamp to go out; then, turn the key to the START position.
- If the engine does **not** start after three attempts, check the fuel supply system. Absence of blue or white exhaust smoke during cranking indicates no fuel is being delivered.

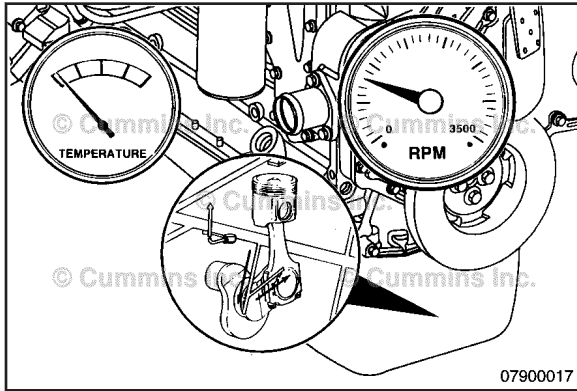
⚠ CAUTION ⚠

The engine must have adequate oil pressure within 15 seconds after starting. If the WARNING lamp indicating low oil pressure has not gone out or there is no oil pressure indicated on a gauge within 15 seconds, shut off the engine immediately to avoid engine damage. The low oil pressure troubleshooting procedure is located in Troubleshooting Symptoms(Section TS).

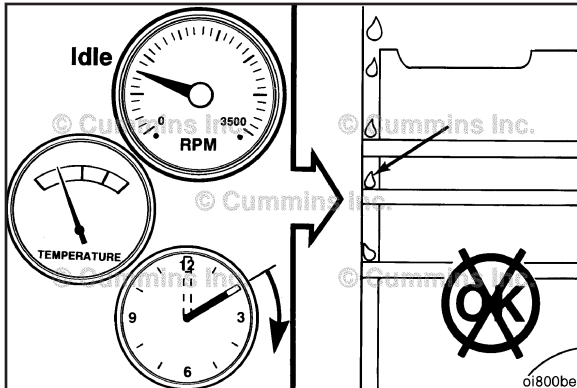


Idle the engine 3 to 5 minutes before operating with a load.





After starting a cold engine, increase the engine speed (rpm) slowly to provide adequate lubrication to the bearings and to allow the oil pressure to stabilize.



⚠ CAUTION ⚠

Do not operate engine at low idle for long periods with engine coolant temperature below the minimum specification in Maintenance Specifications (Section V). This can result in the following:

- Fuel Dilution of the lubricating oil
- Carbon build up in the cylinder
- Cylinder head valve sticking
- Reduced performance.

Jump Starting

⚠ WARNING ⚠

Batteries can emit explosive gases. To avoid personal injury, always ventilate the compartment before servicing the batteries. To avoid arcing, remove the negative (-) battery cable first and attach the negative(-) battery cable last.

⚠ CAUTION ⚠

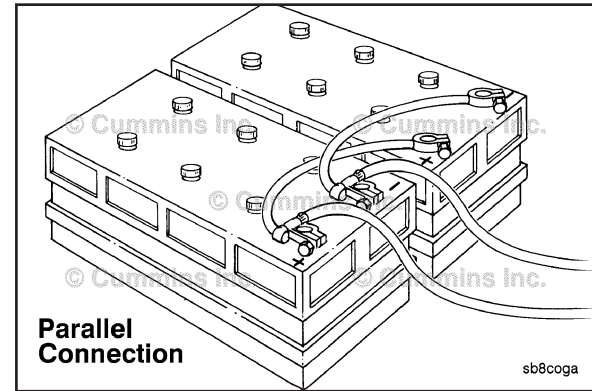
When using jumper cables to start the engine, make sure to connect the cables in parallel: Positive (+) to positive (+) and negative(-) to negative (-). When using an external electrical source to start the engine, turn the disconnect switch to the OFF position. Remove the key before attaching the jumper cables.

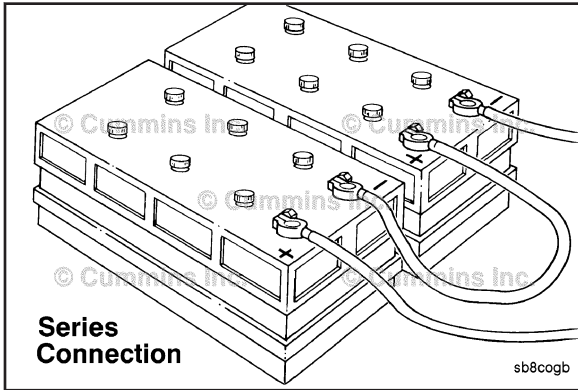
⚠ CAUTION ⚠

To avoid damage to engine parts, do not connect jumper starting or battery charging cable to any fuel system or electronic component.

This illustration shows a typical parallel battery connection. This arrangement doubles the cranking amperage.

NOTE: Always reference the relevant OEM literature for jump starting procedures. Failure to follow correct procedures can result in damage to the ECM and other electrical equipment.





This illustration shows a typical series battery connection. This arrangement, positive (+) to negative (-), doubles the voltage.

NOTE: Always reference the relevant OEM literature for jump starting procedures. Failure to follow correct procedures can result in damage to the ECM and other electrical equipment.

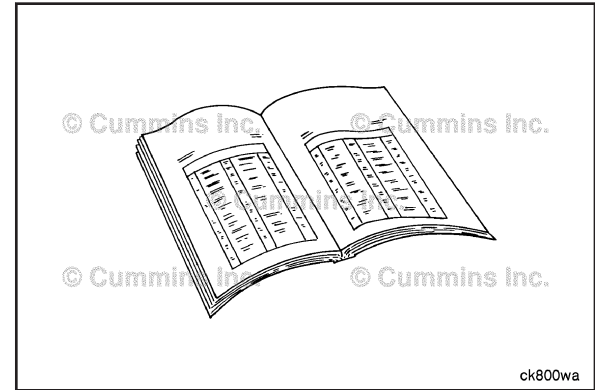
Cold Weather Starting General Information

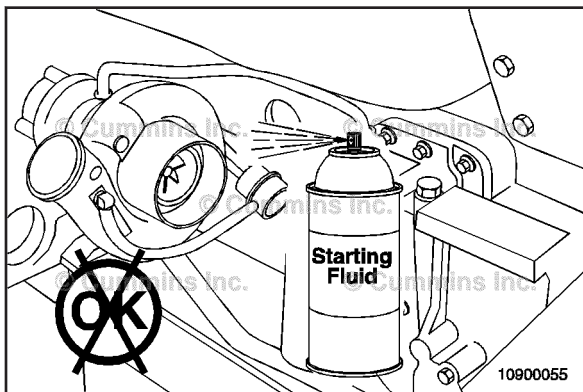
⚠ CAUTION ⚠

To reduce the possibility of damage to the lubricating oil pan, due to the composite materials used in the manufacture of the lubricating oil pan, under no circumstances should an external heat source be applied directly or indirectly to the lubricating oil pan.

Follow the Normal Starting Procedure in this section. If equipped with an intake air heater, the Wait-To-Start lamp will stay on longer.

Refer to the OEM service manual for any additional cold weather starting procedures.





Using Starting Aids

▲ WARNING ▲

Do not use starting fluids with this engine. This engine is equipped with an intake air heater; use of starting fluid can cause an explosion, fire, personal injury, severe damage to the engine, and property damage.

Cold weather starting aids are available for this engine. Contact a Cummins® Authorized Repair Location for more information.

Starting Procedure After Extended Shutdown or Oil Change

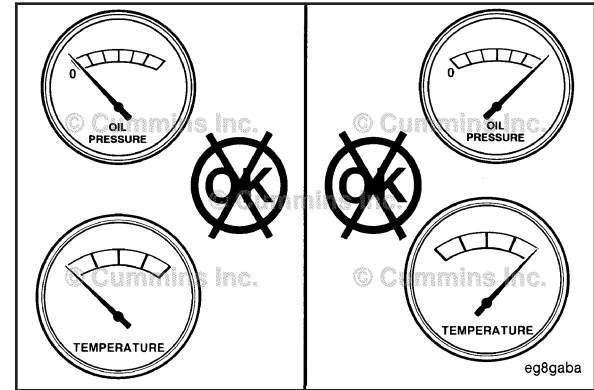
General Information

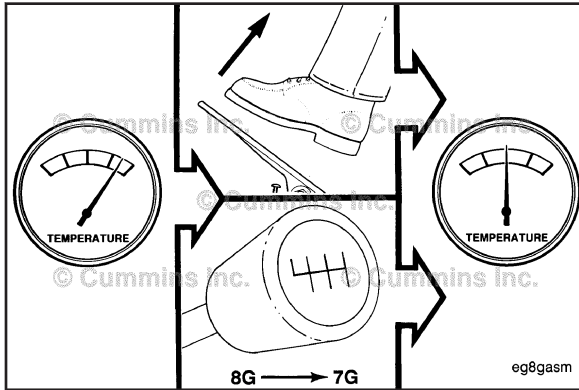
Follow the Normal Starting Procedure in this section. The engine will not start until the minimum cranking oil pressure is detected by the ECM. It can take more cranking time to start the engine after an extended shut down or oil change.

Operating the Engine Normal

If equipped, monitor the oil pressure and coolant temperature gauges frequently. Refer to Lubricating Oil System specifications and Cooling System specifications, in Maintenance Specifications (Section V) for recommended operating pressures and temperatures. Shut off the engine if any pressure or temperature does **not** meet the specifications.

Continuous operation with engine coolant temperature above or below the engine coolant temperature specifications listed in Maintenance Specifications (Section V) can damage the engine.





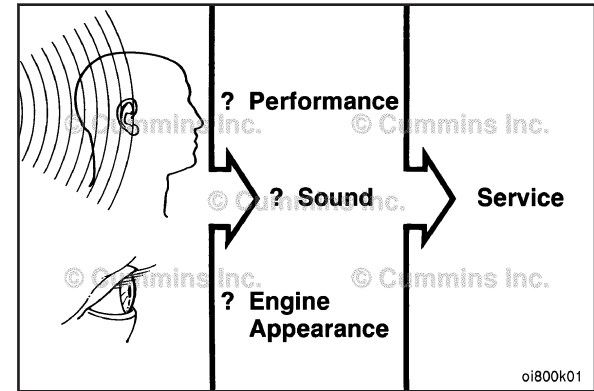
If an overheating condition starts to occur, reduce the power output of the engine by releasing the accelerator pedal or lever or shifting the transmission to a lower gear, or both, until the temperature returns to the normal operating range. If the engine temperature does **not** return to normal, shut off the engine, and refer to Troubleshooting Symptoms (Section TS), or contact a Cummins® Authorized Repair Location.

QSB4.5 and QSB6.7
Section 1 - Operating Instructions

Most failures give an early warning. Look and listen for changes in performance, sound, or engine appearance that can indicate service or engine repair is needed. Some changes to look for are:



- Engine misfires
- Vibration
- Unusual engine noises
- Sudden changes in engine operating temperatures or pressures
- Excessive smoke
- Loss of power
- An increase in oil consumption
- An increase in fuel consumption
- Fuel, oil, or coolant leaks.



Cold Weather

It is possible to operate engines in extremely cold environments if they are properly prepared and maintained. Satisfactory performance of an engine in low ambient temperature conditions requires modification of the engine, surrounding equipment, operating practices and maintenance procedures.

The correct engine coolant lubricating oil and fuels **must** be used for the cold weather range in which the engine is being operated. Below are the recommendations for these critical engine fluids:

Winterfronts and Shutters

Winterfronts and shutters can be used on a vehicle or equipment to reduce air flow through the radiator core into the engine compartment. This can reduce the time required to warm the engine and help maintain the engine coolant temperature. The engine coolant temperature specifications are in the Maintenance Specification (Section V).

Engine Operating Range

General Information

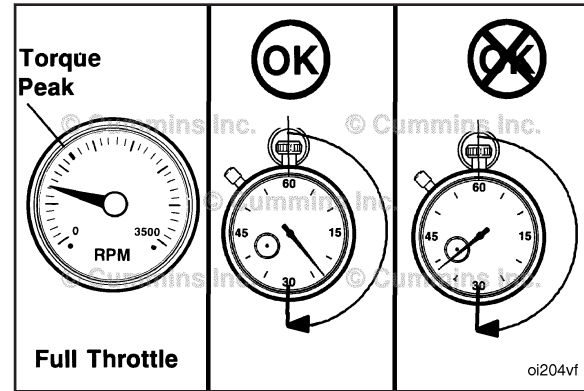
⚠ CAUTION ⚠

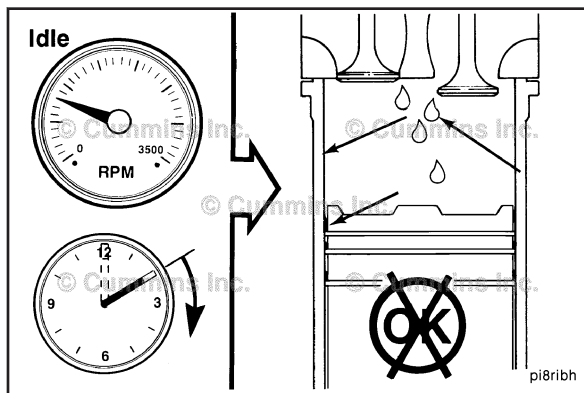
Do not operate the engine at full throttle below peak torque rpm (refer to engine dataplate for peak torque rpm) for more than 30 seconds. Operating the engine at full throttle below peak torque will shorten engine life to overhaul, can cause serious engine damage, and is considered engine abuse.

Cummins® engines are designed to operate successfully at full throttle under transient conditions down to peak torque engine speed. This is consistent with recommended operating practices.

⚠ CAUTION ⚠

Do not operate the engine beyond the maximum engine speed. Operating the engine beyond the maximum engine speed can cause severe engine damage. Use proper operating techniques for the vehicle, vessel, or equipment to prevent engine overspeed. The maximum engine speed specification is listed in Maintenance Specifications (Section V).





⚠ CAUTION ⚠
Do not idle the engine for excessively long periods. Long periods of idling, more than 10 minutes, can cause poor engine performance.

Engine Shutdown

General Information

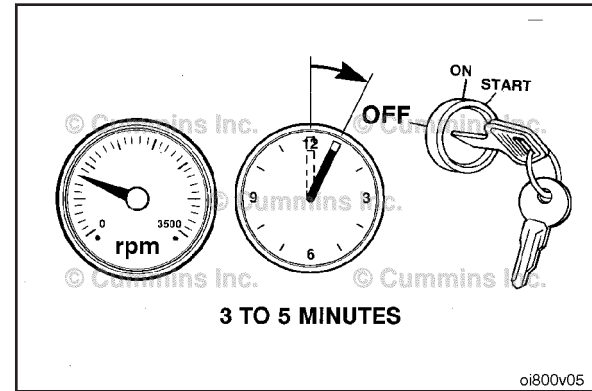
Allow the engine to idle 3 to 5 minutes before shutting it off after a full-load operation. This allows adequate cool down of pistons, cylinders, bearings, and turbocharger components.

NOTE: For engines equipped with an electronic control module (ECM) ensure the keyswitch is turned off for a minimum of 70 seconds prior to disconnecting the continuous (unswitched) battery power supply. If the unswitched battery power supply is disconnected in less than 70 seconds after the keyswitch is turned off active fault codes and incorrect ECM information can occur.

Turn the ignition switch to the OFF position. If the engine does **not** shut down, refer to Troubleshooting Symptom (Section TS) in appropriate Operation and Maintenance manual.

⚠CAUTION⚠

Failure to follow the correct shutdown procedure may result in damage to the turbocharger and shorten the turbocharger life.



Electromagnetic Interference (EMI)

General Information

Some applications utilize accessories such as (CB radios, mobile transmitters, etc.) if not installed and used correctly the radio frequency energy generated by these accessories can cause electromagnetic interference (EMI) conditions to exist between the accessory and the Cummins electronically controlled systems. Cummins is **not** liable for any performance problems with either the electronically controlled systems or the accessory due to EMI. EMI is **not** considered by Cummins to be a system failure and therefore is **not** warrantable.

System EMI Susceptibility

Your Cummins product has been designed and tested for minimum sensitivity to incoming electromagnetic energy. Testing has shown that there is no performance degradation at relatively high energy levels; however, if very high energy levels are encountered, then some noncritical diagnostic fault code logging can occur. The electronically controlled systems EMI susceptibility level will protect your systems from most, if **not** all, electromagnetic energy-emitting devices that meet the legal requirements.

System EMI Radiation Levels

Your Cummins product has been designed to emit minimum electromagnetic energy. Electronic components are required to pass various Cummins and industry EMI specifications. Testing has shown that when the systems are properly installed, they will not interfere with onboard communication equipment or with the vehicle's, equipment's, or vessel's ability to meet any applicable EMI standards and regulated specifications.

If an interference condition is observed, follow the suggestions below to reduce the amount of interference:

- 1 Locate the transmitting antenna as far away from the electronically controlled systems and as high as possible.
- 2 Locate the transmitting antenna as far away as possible from all metal obstructions (e.g., exhaust stacks)

- 3 Consult a representative of the accessory supplier in your area to:
 - Accurately calibrate the device for proper frequency, power output, and sensitivity (both base and remote site devices **must** be properly calibrated)
 - Obtain antenna reflective energy data measurements to determine the optimum antenna location
 - Obtain optimum antenna type and mounting arrangement for your application
 - Make sure your accessory equipment model is built for maximum filtering to reject incoming electromagnetic noise.

Section 2 - Maintenance Guidelines

Section Contents

	Page
Maintenance Guidelines - Overview	2-1
General Information.....	2-1
Maintenance Record Form	2-6
Maintenance Data.....	2-6
Maintenance Schedule	2-2
General Information.....	2-2
Oil Drain Intervals.....	2-4

This Page Left Intentionally Blank

Maintenance Guidelines - Overview

General Information

Cummins Inc. recommends that the system be maintained according to the Maintenance Schedule in this section.

If the system is operating in ambient temperatures below -18°C [0°F] or above 38°C [100°F], perform maintenance at shorter intervals. Shorter maintenance intervals are also required if the system is operated in a dusty environment or if frequent stops are made. For gas fueled generator sets, shorter maintenance intervals are also required, if operating at loads below 70% for prolonged periods. Contact your local Cummins® Authorized Repair Location for recommended maintenance intervals.

Some of these maintenance procedures require special tools or must be completed by qualified personnel. Contact your local Cummins® Authorized Repair Location for detailed information.

If your system is equipped with a component or accessory not manufactured or supplied by Cummins Inc., refer to the component manufacturer's maintenance recommendations.

OEM supplied equipment and components can impact on the performance and reliability of the engine if they are not correctly maintained.

Use the chart provided in this section as a convenient way to record maintenance performed.

Maintenance Schedule

General Information

Perform maintenance at whichever interval occurs first. At each scheduled maintenance interval, perform all previous maintenance checks that are due for scheduled maintenance.

Maintenance Procedures at Daily Interval³

- Air Intake Piping - Check
- Engine Lubricating Oil Level - Check
- Air Tanks and Reservoirs - Drain
- Crankcase Breather Tube - Inspect
- Engine Coolant Level - Check
- Fuel-Water Separator - Drain

Maintenance Procedures at 250 Hours or 3 Months³

- Air Cleaner Restriction - Check
- Air Compressor Mounting Hardware - Check
- Charge-Air Cooler - Check
- Charge-Air Piping - Check
- Radiator Hoses - Check
- Air Intake Piping - Inspect
- Fan, Cooling - Check

QSB4.5 and QSB6.7

Section 2 - Maintenance Guidelines

- Coolant Level - Check
- Drive Belts - Check

Maintenance Procedures at 500 Hours or 6 Months^{1, 2, 3}Section 5

- Engine Coolant - Antifreeze Check
- Fuel Filter (Spin-On Type) - Change
- Lubricating Oil and Filters - Change
- Radiator Pressure Cap - Check

Maintenance Procedures at 1000 Hours or 1 Year³

- Cooling Fan Belt Tensioner - Check
- Fan Hub, Belt-Driven - Check

Maintenance Procedures at 2000 Hours or 2 Years^{2, 3}

- Air Compressor Discharge Line - Check
- Cooling System - Flush⁴
- Vibration Damper, Rubber - Check
- Vibration Damper, Viscous - Check

Maintenance Procedures at 5000 Hours or 4 Years³

- Overhead Set - Adjust

1 The lubricating oil and lubricating oil filter interval is determined by the sulfur content of the fuel used, the lubricating oil type used, and the engine rating. See the Oil Drain Intervals in this section.

- 2 Antifreeze check interval is every oil change or 500 hours or 6 months, whichever occurs first. The operator **must** use a heavy-duty year-round antifreeze that meets the chemical composition of ASTM D6210. The antifreeze change interval is 2 years or 2000 hours, whichever occurs first. Antifreeze is essential for freeze, overheat, and corrosion protection.
- 3 Follow the manufacturer's recommended maintenance procedures for the starter, alternator, generator, batteries, electrical components, exhaust brake, charge-air cooler, radiator, air compressor, air cleaner, refrigerant compressor, and fan clutch.
- 4 This cooling system requirement to Flush at this scheduled maintenance includes: Drain, Flush, and Fill.

Oil Drain Intervals

See table 1 to determine the maximum recommended oil change and filter change interval in hours or months, whichever comes first.

Table 1: Recommended Oil Change and Filter Change Intervals				
American Petroleum Institute Classification (API)	European Classification (ACEA)	Fuel Sulfur Content	Engine Rating is 261 Hp [195 kW] or greater	Engine Rating is 260 Hp [194 kW] or less
CJ-4 (CES 20081)	ACEA E9	< 500 ppm	250 hours or 6 months	500 hours or 6 months
	JAMA DH-2	500 to 5000 ppm	200 hours* or 6 months	400 hours* or 6 months
CI-4 (CES 20078)	ACEA E7	up to 5000 ppm	250 hours or 6 months	500 hours or 6 months

Table 1: Recommended Oil Change and Filter Change Intervals

American Petroleum Institute Classification (API)	European Classification (ACEA)	Fuel Sulfur Content	Engine Rating is 261 Hp [195 kW] or greater	Engine Rating is 260 Hp [194 kW] or less
API CH-4/SJ (CES 20071, 20076, or 20077)	ACEA E5 JAMA DH-1	up to 5000 ppm	250 hours or 3 months	500 hours or 6 months
API CF-4/SG (CES 20075)	ACEA E3 ACEA E2	up to 5000 ppm	125 hours or 6 weeks	250 hours or 3 months
API CD API CE API CG-4/SH	ACEA E1	up to 5000 ppm	Obsolete. Do not Use	Obsolete. Do Not Use

* The oil drain interval **must** be reduced by 20 percent if American Petroleum Institute (API) CJ-4 (Cummins® Engineering Standard 20081) lubricating oil is used with diesel fuel containing 0.05 to 0.5 mass percent [500 to 5000 ppm] sulfur content.

Section L - Service Literature

Section Contents

	Page
Additional Service Literature	L-1
General Information.....	L-1
Cummins Customized Parts Catalog	L-5
General Information.....	L-5
Ordering the Customized Parts Catalog.....	L-5
Ordering by Telephone.....	L-5
Ordering On-Line.....	L-6
Service Literature Ordering Location	L-4
Contact Information.....	L-4

This Page Left Intentionally Blank

Additional Service Literature General Information

The following publications can be purchased:

Additional Service Literature	
4021271	Service Manual, ISBe, ISB, and QSB (Common Rail Fuel System)
4021578	Service Manual, ISB CM2150
4021597	Service Manual, ISBe and ISDe CM2150
4022188	Service Manual, ISB4.5, ISB6.7, ISD4.5, and ISD6.7 CM2150 SN
4022254	Service Manual, ISB6.7 CM2250
4021416	Troubleshooting and Repair Manual, ISB, ISBe2, ISBe3, ISBe4, QSB4.5, QSB5.9, QSB6.7, ISC, QSC8.3, ISL, ISLe3, ISLe4, and QSL9, CM850 Electronic Control System
4021570	Troubleshooting and Repair Manual, CM2150 Electronic Control System ISB, ISC, ISL, ISLe, ISDe and QSB3.3 Engines
4021524	QSB4.5, QSB6.7, QSB8.3 and QSL9 CM850 Electronic Control Module Wiring Diagram
4022225	Troubleshooting and Repair Manual, CM2250 Electronic Control System

Additional Service Literature	
4021532	ISBe4 with CM850 Electronic Control Module Wiring Diagram ⁽¹⁾
4021572	ISB CM2150 Wiring Diagram
4021625	ISDe and ISBe with CM2150 Control Module Wiring Diagram
4021670	ISBe2 / ISBe3 CM850 Wiring Diagram
4022230	ISB6.7 CM2250 Wiring Diagram
4021531	Operation and Maintenance Manual, QSB4.5 and QSB6.7 Engine
4021546	Operation and Maintenance Manual, ISBe4 (Common Rail Fuel System) Series Engines
4021602	Operation and Maintenance Manual, ISB CM2150
4021619	Operation and Maintenance Manual, ISBe and ISDe CM2150
4021680	Operation and Maintenance Manual, ISBe2, ISBe3 CM850
4022189	Operation and Maintenance Manual, ISB4.5, ISB6.7, ISD4.5, and ISD6.7 CM2150 SN
4022263	Operation and Maintenance Manual, ISB6.7 CM2250
4021601	Owners Manual, ISB CM2150
4021620	Owners Manual, ISBe and ISDe CM2150
4021681	Owners Manual, ISBe2 and ISBe3 CM850

Additional Service Literature	
4022220	Owners Manual, ISB4.5, ISB6.7, ISD4.5, and ISD6.7 CM2150 SN
4022262	Owners Manual, ISB6.7 CM2250
3379000	Air for Your Engine
3379001	Fuels for Cummins® Engines
3379009	Operation of Diesel Engines in Cold Climates
3666132	Cummins® Coolant Requirements and Maintenance
3387266-R	Cold Weather Operation
3810340	Cummins® Engine Oil and Oil Analysis Recommendations
4021566	Fleetguard® Selective Catalytic Reduction - Urea Specifications
(1) Revision 01 or newer is required for ISBe4+/ISBe5- (Minus)	

Service Literature Ordering Location Contact Information

Region

United States and Canada

All Other Countries

Ordering Location

Cummins Distributors

or

Credit Cards at 1-800-646-5609

or

Order online at www.powerstore.cummins.com

Cummins Distributors or Dealers

Cummins Customized Parts Catalog

General Information

Cummins is pleased to announce the availability of a parts catalog compiled specifically for you. Unlike the generic versions of parts catalogs that support general high volume parts content; Cummins Customized catalogs contains only the new factory parts that were used to build your engine.

The catalog cover, as well as the content, is customized with you in mind. You can use it in your shop, at your worksite, or as a coffee table book in your RV or boat. The cover contains your name, company name, address, and telephone number. Your name and engine model identification even appears on the catalog spine. Everybody will know that Cummins created a catalog specifically for you.

This new catalog was designed to provide you with the exact information you need to order parts for your engine. This will be valuable for customers that do not have easy access to the Cummins Electronic Parts Catalog or the Cummins Parts Microfilm System.

Additional Features of the Customized Catalog include:

- Engine Configuration Data
- Table of Contents
- Separate Option and Parts Indexes
- Service Kits (when applicable)
- ReCon Part Numbers (when applicable)

Ordering the Customized Parts Catalog

Ordering by Telephone

North American customers can contact their Cummins Distributor or call Gannett Direct Marketing Services at 1-800-646-5609 and order by credit card. Outside North America order on-line or make an International call to Gannett at (++)502-454-6660.

Ordering On-Line

The Customized Parts Catalog can be ordered On-Line from the Cummins Powerstore by credit card.

Contact GDMS or the CUMMINS POWERSTORE for the current price; Freight may be an additional expense.

Information we need to take your Customized Parts Catalog Order. This information drives the cover content of the CPC.

- Customer Name
- Street Address
- Company Name (optional)
- Telephone no.
- Credit Card No.
- Cummins Engine Serial Number (located on the engine data plate)
- Please identify the required media: Printed Catalog, CD-ROM, or PDF File

Unfortunately not all Cummins Engines can be supported by this parts catalog. Engines older than 1984 or newer than 3 months may not have the necessary parts information to compile a catalog. We will contact you if this occurs and explain why we are unable to fill your order.

Customized Parts Catalogs are produced specifically for a single customer. This means they are not returnable for a refund. If we make an error and your catalog is not useable, we will correct that error by sending you a new catalog.

Section V - Maintenance Specifications

Section Contents

	Page
Coolant Recommendations and Specifications	V-14
Cooling System Sealing Additives.....	V-17
Cooling System Soluble Oils.....	V-17
Fully Formulated Coolant/Antifreeze.....	V-14
Cooling System	V-4
Specifications.....	V-4
Cummins®/Fleetguard® Filter Specifications	V-5
General Information.....	V-5
Fuel Recommendations and Specifications	V-6
Fuel Recommendations.....	V-6
General Engine	V-1
Specifications.....	V-1
Lubricating Oil Recommendations and Specifications	V-8
General Information.....	V-8
New Engine Break-in Oils.....	V-13
Lubricating Oil System	V-2
Specifications.....	V-2

This Page Left Intentionally Blank

General Engine

Specifications

Listed below are the general specifications for this engine.

Bore x Stroke.....107 mm [4.21 in] x 124 mm [4.88 in]

Horsepower.....Refer to engine dataplate

Displacement

Four-Cylinder Engine.....4.5 liters [274 C.I.D.]

Six-Cylinder Engine.....6.7 liters [409 C.I.D.]

Firing Order

Four-Cylinder Engine.....1-3-4-2

Six-Cylinder Engine.....1-5-3-6-2-4

Engine Weight (with standard accessories):

Dry Weight for 4.5 Liters [274 C.I.D.].....374 kg [825 lb]

Dry Weight for 6.7 Liters [409 C.I.D.].....485 kg [1070 lb]

Crankshaft Rotation (viewed from the front of the engine).....Clockwise

Valve Clearance:

Intake.....0.254 mm [0.010 in]

Exhaust.....0.508 mm [0.020 in]

NOTE: The engine features a no-adjust overhead. The valve train is designed such that adjustment of the valve lash is **not** required for normal service until the first overhead set adjustment recommended under Maintenance Schedule in Section 2 of this manual. The valve train operates acceptably within the limits of 0.152- to 0.381-mm [0.006- to 0.015-in] intake valve lash and 0.381- to 0.762-mm [0.015- to 0.030-in] exhaust valve lash.

Lubricating Oil System

Specifications

Oil Pressure

Low idle (minimum allowed).....	69 kPa [10 psi]
At rated (minimum allowed).....	207 kPa [30 psi]
Oil-regulating valve-opening pressure range.....	448 kPa [65 psi] to 517 kPa [75 psi]
Oil filter differential pressure to open bypass.....	345 kPa [50 psi]
Lubricating Oil Filter Capacity.....	0.95 liters [1 qt]

Oil Capacity of Standard Engine (four-cylinder)

4.5 liters [275 C.I.D.] Engines (Suspended Oil Pan)

Pan only	11 liters [11.6 qt]
Total system.....	13 liters [13.7 qt]
High to low (on dipstick).....	1.9 liters [2.0 qt]

Oil Capacity of Standard Engine (four-cylinder)

4.5 liters [275 C.I.D.] Engines (Aluminium Oil Pan)

Pan only	13 liters [13.7 qt]
Total system.....	15 liters [15.9 qt]
High to low (on dipstick).....	3.0 liters [3.2 qt]

Oil Capacity of Standard Engine (four-cylinder)

4.5 liters [275 C.I.D.] Engines (High Capacity Oil Pan)

Pan only	16 liters [16.9 qt]
Total system.....	18 liters [19.0 qt]
High to low (on dipstick).....	6.0 liters [6.3 qt]

Oil Capacity of Standard Engine (six-cylinder)

6.7 liters [409 C.I.D.] Engines (Standard Oil Pan)

Pan only	14.2 liters [15.0 qt]
----------------	-----------------------

Total System.....	16.7 liters [17.6 qt]
High to Low (on dipstick).....	1.9 liters [2.0 qt]

**Oil Capacity of Standard Engine (six-cylinder)
6.7 liters [409 C.I.D] Engines (Suspended Oil Pan)**

Pan only	17.2 liters [18.5 qt]
Total System.....	19.7 liters [20.8 qt]
High to Low (on dipstick).....	2.8 liters [3.0 qt]

**Oil Capacity of Standard Engine (six-cylinder)
6.7 liters [409 C.I.D] Engines (High Capacity Oil Pan)**

Pan only	23.9 liters [25.3 qt]
Total System.....	26.4 liters [27.9 qt]
High to Low (on dipstick).....	7.4 liters [7.8 qt]

Maximum Oil Temperature

For 4.5 liters [275 C.I.D.] and 6.7 liters [409 C.I.D.] Engines.....138°C [280°F]

NOTE: If the type/oil capacity of the oil pan is **not** known:

- Contact a Cummins® Distributor/Dealer.
- Determine the capacity of the oil pan option for the engine being serviced by using QuickServe™ Online and the engine serial number.
- Fill the lubricating oil pan to the smallest oil pan capacity listed for the engine being serviced. Then add 0.95 liters [1 qt] of oil at a time until it reaches the high mark on the dipstick. Record the number of quarts added so that capacity is known the next time the oil is drained.

Cooling System

Specifications

Coolant Capacity (four-cylinder engine only).....	8.5 liters [2.2 gal]
Coolant Capacity (six-cylinder engine only).....	10 liters [2.6 gal]
Standard Modulating Thermostat - Range - Industrial Applications.....	88 to 97°C [190 to 207°F]
Maximum Allowed Operating Temperature - Industrial Applications	107°C [225°F]
Minimum Recommended Operating Temperature.....	71°C [160°F]
Minimum Recommended Pressure Cap - Industrial Applications.....	50 kPa [7 psi]

Cummins®/Fleetguard® Filter Specifications

General Information

Fleetguard®/Nelson® is a subsidiary of Cummins Inc. Fleetguard®/Nelson® filters are developed through joint testing at Cummins® and Fleetguard®/Nelson®. Fleetguard®/Nelson® filters are standard on new Cummins® engines. Cummins Inc. recommends their use.

Fleetguard®/Nelson® products meet all Cummins® Source Approval Test standards to provide the quality filtration necessary to achieve the engine's design life. If other brands are substituted, the purchaser **must** insist on products that the supplier has tested to meet Cummins Inc. high-quality standards.

Cummins Inc. can **not** be responsible for problems caused by non-genuine filters that do **not** meet Cummins Inc. performance or durability requirements.

Filter Part Numbers

Lubricating Oil Filter	
Cummins® Part Number	3937736
Fleetguard®/Nelson® Part Number	LF3970
Fuel Filter (Primary)	
Cummins® Part Number	3978040
Fleetguard®/Nelson® Part Number	FF5421
Fuel Filter (Prefilter with WIF Sensor)	
Cummins® Part Number	3973233
Fleetguard®/Nelson® Part Number	FS19732

Fuel Recommendations and Specifications

Fuel Recommendations



Do not mix gasoline, alcohol, or gasohol with diesel fuel. This mixture can cause an explosion.



Due to the precise tolerances of diesel injection systems, it is extremely important that the fuel be kept clean and free of dirt or water. Dirt or water in the system can cause severe damage to both the fuel pump and the fuel injectors.



Lighter fuels can reduce fuel economy or possibly damage fuel system components.

Cummins Inc. recommends the use of ASTM number 2D fuel. The use of number 2D diesel fuel will result in optimum engine performance.

At operating temperatures below 0°C [32°F], acceptable performance can be obtained by using blends of number 2D and number 1D.

The following chart lists acceptable substitute fuels for this engine.

Acceptable Substitute Fuels									
Number 1D Diesel ⁽¹⁾ (2) (3)	Number 2D Diesel ⁽³⁾	Number 1K Kerosene	Jet-A	Jet-A1	JP-5	JP-8	Jet-B	JP-4	CITE
A	OK	Not OK	A	A	A	A	Not OK	Not OK	Not OK
An "A" means OK only if fuel lubricity is adequate. This means the BOCLE number is 3100 or greater as measured by ASTM specification D6078, Scuffing Load Ball On Cylinder Evaluator (SLBOCLE). Lubricity can also be measured by ASTM, specification D6079, ISO 12156, High Frequency Reciprocating Rig (HFRR) in which the fuel must have a wear scar diameter of 0.45 mm [0.02 in] or less.									
Any adjustment to compensate for reduced performance with a fuel system using alternate fuel is not warrantable.									
Winter blend fuels, such as found at commercial fuel-dispensing outlets, are combinations of number 1D and 2D diesel fuels and are acceptable.									

NOTE: Cummins Inc. recommends that the cetane number of diesel fuel be a minimum of 45 for engines that are expected to operate at temperatures below 0°C [32°F] and a minimum of 40 for engines that are operated at temperatures above 0°C [32°F].

NOTE: Using diesel fuel with lower than recommended cetane number can cause hard starting, instability, and excessive white smoke. To maintain satisfactory operation at low ambient temperatures, it is important to specify diesel fuel of the correct cetane number.

Additional information for fuel recommendations and specifications can be found in Fuel for Cummins® Engines, Bulletin 3379001. See ordering information in the back of this manual.

Lubricating Oil Recommendations and Specifications

General Information

△CAUTION△

The fuel sulphur content should not exceed 0.5 mass percent sulphur. If the fuel sulphur content is greater than 0.5 mass percent sulphur, seek advice from your local Cummins® Distributor. For recommendations of fuel for Cummins® engines, refer to Fuel for Cummins® Engines, Bulletin 3379001.

△CAUTION△

Extending the oil and filter change interval beyond the recommendations will decrease engine life due to factors such as corrosion, deposits and wear.

△CAUTION△

Cummins Inc. does not recommend the use of A.C.E.A. E4/MB 228.5 formulation oils, which do not attain one or more of the following lubricant qualifications: A.P.I. CH-4, CI-4, A.C.E.A. E5, E7, C.E.S. 20071, C.E.S. 20072, C.E.S. 20076, C.E.S. 20077, C.E.S. 20078. If A.C.E.A. E4/MB 228.5 formulation oils, which do not comply with the oil specifications listed above, are used in Cummins® automotive engines, problems such as wear to overhead, sliding tappets, camshaft and crankshaft bearings may be experienced.

The use of quality engine lubricating oils, combined with appropriate oil drain and filter change intervals, is a critical factor in maintaining engine performance and durability. Extending the oil and filter change interval beyond the recommendations will decrease engine life due to factors such as corrosion, deposits and wear.

NOTE: The responsibility is with the owner. If recommendations are ignored, warranty could be affected.

NOTE: A.C.E.A. = Association des Constructeurs Européen d'Automobiles, A.P.I. = American Petroleum Institute and C.E.S. = Cummins® Engineering Standard.

Cummins Inc. recommends the use of a high-quality SAE 15W-40 heavy-duty engine oil, such as Valvoline Premium Blue™, which meets or exceeds the American Petroleum Institute (API) performance classification CH-4/SJ or CI-4/SK and the Association des Constructeurs Européen d'Automobiles (A.C.E.A.) performance classification E5 or E7.

Cummins® Engineering Standard Classifications (CES)	American Petroleum Institute Classification (API)	European Classification (ACEA)	Comments
	API CD API CE	ACEA E-1, ACEA E-2	OBSELETE. DO NOT USE.
CES-20075	API CF-4/SG, API CG-4/SH	ACEA E-3	Minimum acceptable oil classification for Midrange engines. ⁽¹⁾
CES-20071, CES-20072, CES-20076, CES-20077	API CH-4/SJ	ACEA E-5, E-7	Good oil classification for Midrange engines without EGR.
CES-20078	API CI-4/SK		Excellent oil for Midrange engines.

1. CG-4/SH and E-3 oils can be used in areas where none of the recommended oils are available, but the oil drain interval **must** be reduced by one half of the interval given in the maintenance schedule. See the oil drain interval information in Section 2.

A sulfated ash limit of 1.0 mass percent is suggested for optimum valve and piston deposit, and oil consumption control. The sulfated ash **must not** exceed 1.85 mass percent.

Special “break-in” oils are **not** recommended for use in new or rebuilt Cummins® engines. Use the same lubricating oil that will be used in normal engine operations.

Use of "synthetic engine oils" (those made with API group 3 or group 4 base stocks) is permitted subject to the same performance and viscosity limitations of petroleum (mineral) based engine oils. The same oil change intervals **must** be applied to synthetic oils that are applied to petroleum (mineral) based engine oils.

For further details and discussion of engine lubricating oils for Cummins® engines, refer to Cummins® Engine Oil Recommendations, Bulletin 3810340.

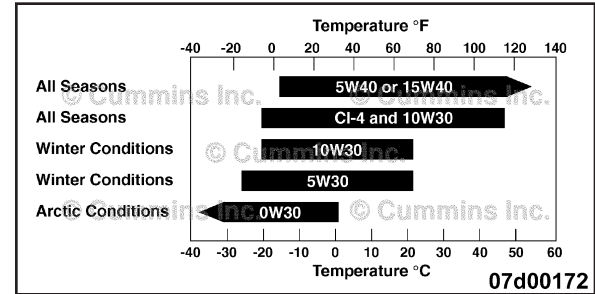
QSB4.5 and QSB6.7
Section V - Maintenance Specifications

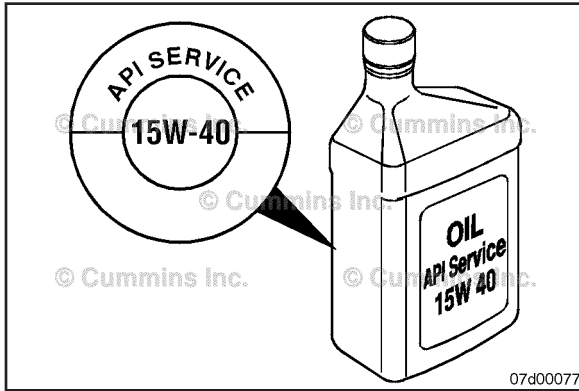


CAUTION
An SAE 10W-30 designation on a product is a viscosity designation only. This designation alone does not imply that the product meets Cummins Inc. requirements. Only 10W30 oils with diesel performance credentials listed in table above can be used in Cummins® engines if the reduced ambient temperature indicated in chart above is observed.

The primary Cummins Inc. recommendation is for the use of 15W-40 multigrade for normal operation at ambient temperatures above -15°C [5°F]. The use of multigrade oil reduces deposit formation, improves engine cranking in low temperature conditions and increases engine durability by maintaining lubrication during high temperature operating conditions. Since multigrade oils have been shown to provide approximately 30 percent lower oil consumption, compared with monograde oils, it's important to use multigrade oils to be certain your engine will meet applicable emissions requirements. While the preferred viscosity grade is 15W-40, lower viscosity multigrades can be used in colder climates. See the accompanying chart.

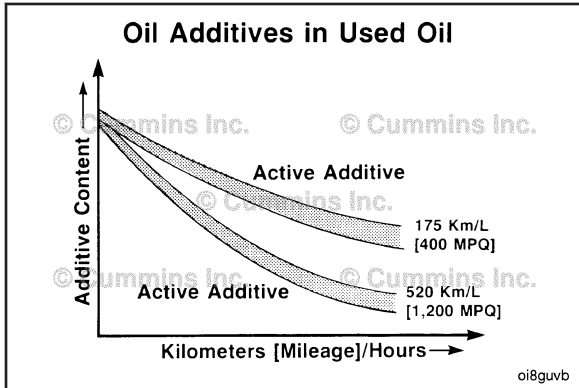
Oils meeting a 10W30 viscosity grade, **must** meet a minimum High Temperature/High Shear viscosity of 3.5 cSt., and ring wear/liner wear requirements of Cummins® and Mack™ tests. Thus, they can be used over a wider temperature range than 10W30 oils meeting older API performance classifications. As these oils will have directionally thinner oil films than 15W-40 oils, top quality Fleetguard® filters **must** be used above 20°C [70°F]. Some oil suppliers might claim better fuel economy for these oils. Cummins Inc. can neither approve nor disapprove any product **not** manufactured by Cummins Inc. These claims are between the customer and oil supplier. Obtain the oil supplier's commitment that the oil will give satisfactory performance in Cummins® engines or do **not** use the oil.





An example of the API service symbols are shown in the accompanying illustration. The upper half of the symbol displays the appropriate oil categories.

The center section identifies the SAE oil viscosity grade.



As the engine oil becomes contaminated, essential oil additives are depleted. Lubricating oils protect the engine as long as these additives are functioning properly. Progressive contamination of the oil between oil and filter change intervals is normal. The amount of contamination will vary depending on the operation of the engine, kilometers or miles on the oil, fuel consumed, and new oil added.

Extending oil and filter change intervals beyond the recommendations will decrease engine life due to factors such as corrosion, deposits, and wear.

See the oil drain chart in Section 2 to determine which oil drain interval to use for your application.

New Engine Break-in Oils

▲ CAUTION ▲

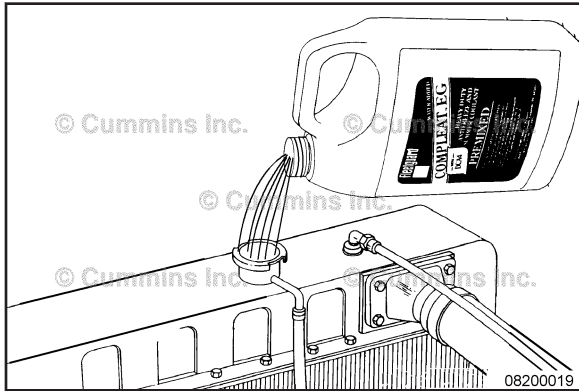
A sulfated ash limit of 1.85 percent has been placed on all engine lubricating oils recommended for use in Cummins® engines. Higher ash oils can cause valve and/or piston damage and lead to excessive oil consumption.

▲ CAUTION ▲

The use of a synthetic-base oil does not justify extended oil change intervals. Extended oil change intervals can decrease engine life due to factors such as corrosion, deposits, and wear.

Special break-in engine lubricating oils are **not** recommended for new or rebuilt Cummins® engines. Use the same type of oil during the break-in as is used in normal operation.

Additional information regarding lubricating oil availability throughout the world is available in the EMA Lubricating Oils Data Book for Heavy-Duty Automotive and Industrial Engines. The data book can be ordered from: Engine Manufacturers Association, Two North LaSalle Street, Chicago, IL 60602; (312) 827-8733, (www.enginemanufacturers.org).



Coolant Recommendations and Specifications

Fully Formulated Coolant/Antifreeze

Cummins Inc. recommends the use of fully formulated antifreeze/coolant meeting Cummins Engineering Standards (C.E.S.) 14603. For further details and discussion of coolant for Cummins® engines, refer to Coolant Requirements and Maintenance, Bulletin 3666132.

Typically, antifreeze/coolants meeting ASTM4985 (GM6038M specification) or ASTM D6210 criteria are acceptable antifreeze/coolants for engines covered by the manual.

Low-silicate antifreeze/coolants meeting ASTM D4985 (GM6038M specification) are **not** adequate for extended service intervals.

Cummins Inc. recommends using either a 50/50 mixture of good-quality water and fully formulated antifreeze, or fully formulated coolant when filling the cooling system.

Good-quality water is important for cooling system performance. Excessive levels of calcium and magnesium contribute to scaling problems, and excessive levels of chlorides and sulfates cause cooling system corrosion.

Water Quality	
Calcium Magnesium (hardness)	Maximum 170 ppm as (CaCO ₃ + MgCO ₃)
Chloride	40 ppm as (Cl)
Sulfur	100 ppm as (SO ₄)

QSB4.5 and QSB6.7
Section V - Maintenance Specifications

Cummins Inc. recommends using Fleetguard® Compleat. It is available in both glycol forms (ethylene and propylene).

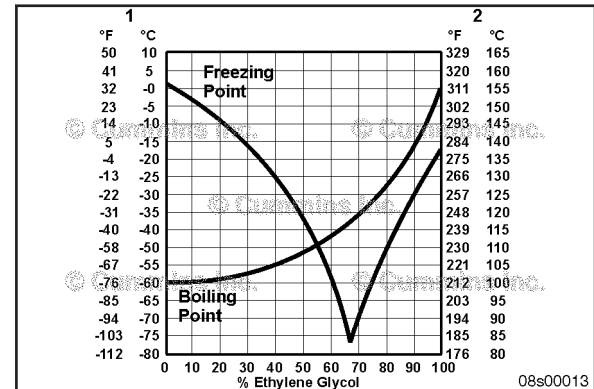
Coolant Recommendations and Specifications
Page V-15

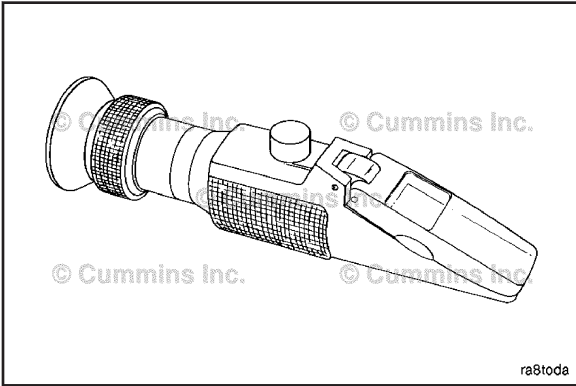


Fully formulated antifreeze **must** be mixed with good-quality water at a 50/50 ratio (40- to 60-percent working range). A 50/50 mixture of antifreeze and water gives a -36°C [-33°F] freezing point and a 108°C [226°F] boiling point, which is adequate for locations in North America. The actual lowest freezing point of ethylene glycol antifreeze is at 68 percent. Using higher concentrations of antifreeze will raise the freezing point of the solution and increase the possibility of a silica gel problem.

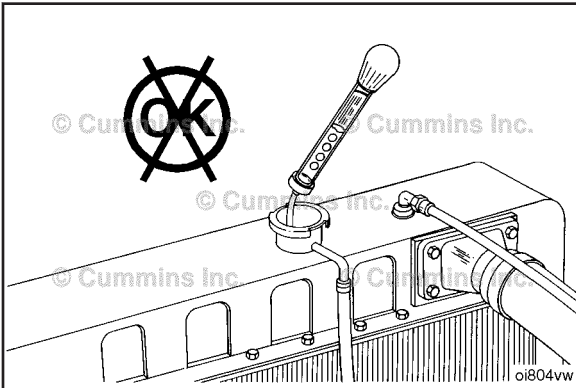
Legend

- 1 Freezing Point Temperature Scale
- 2 Boiling Point Temperature Scale





A refractometer **must** be used to measure the freezing point of the coolant **accurately**. Use Fleetguard® refractometer, Part Number C2800.



Do **not** use a floating ball hydrometer. The use of floating ball hydrometers can give an incorrect reading.

Cooling System Sealing Additives

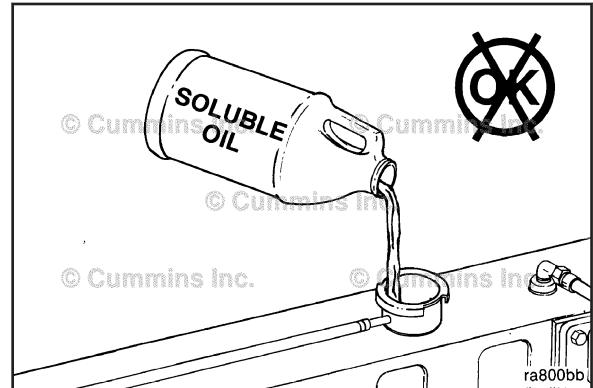
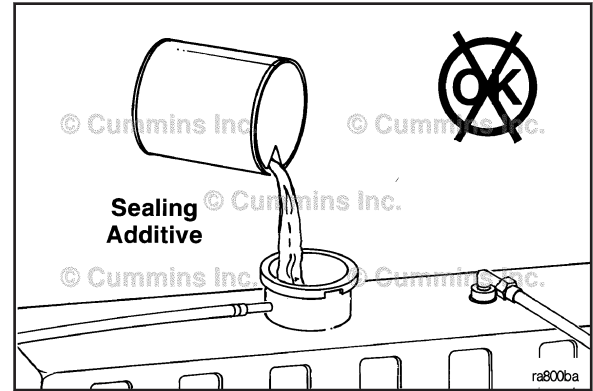
Do **not** use sealing additives in the cooling system. The use of sealing additives will:

- Buildup in coolant low-flow areas
- Plug the radiator and oil cooler
- Possibly damage the water pump seal.

Cooling System Soluble Oils

Do **not** use soluble oils in the cooling system. The use of soluble oils will:

- Corrode brass and copper
- Damage heat transfer surfaces
- Damage seals and hoses.



Section W - Warranty

Section Contents

	Page
California Emission Control System Warranty, Off-Highway	W-13
All Engines International Industrial (Off-Highway)	W-8
All Engines United States And Canada Industrial (Off-Highway)	W-1



This Page Left Intentionally Blank

All Engines United States And Canada Industrial (Off-Highway) Coverage

Products Warranted

This Warranty applies to new Engines sold by Cummins and delivered to the first user on or after April 1, 1999, that are used in Industrial (Off-Highway) applications in the United States* and Canada, except for Engines used in marine, generator drive and certain defense applications, for which different Warranty Coverage is provided.

Base Engine Warranty

This Warranty covers any failures of the Engine, under normal use and service, which result from a defect in material or factory workmanship (Warrantable Failures).

Coverage begins with the sale of the Engine by Cummins. Coverage continues for two years or 2,000 hours of operation, whichever occurs first, from the date of delivery of the Engine to the first user, or from the date the unit is first leased, rented or loaned, or when the Engine has been operated for 50 hours, whichever occurs first. If the 2,000 hour limit is exceeded during the first year, Coverage continues until the end of the first year.

Engine aftertreatment components included in the Cummins Critical Parts List (CPL) and marked with a Cummins part number are covered under Base Engine Warranty.

Additional Coverage is outlined in the Emission Warranty section.

Extended Major Components Warranty

The Extended Major Components Warranty covers Warrantable Failures of the Engine cylinder block, camshaft, crankshaft and connecting rods (Covered Parts).

Bushing and bearing failures are not covered.

This Coverage begins with the expiration of the Base Engine Warranty and ends three years or 10,000 (3,000 hours for A Series Engines) hours of operation from the date of delivery of the Engine to the first user, or from the date the unit is first leased, rented or loaned, or from when the Engine has been operated for 50 hours, whichever occurs first.

Consumer Products

The Warranty on Consumer Products in the United States* is a LIMITED Warranty. **CUMMINS IS NOT RESPONSIBLE FOR INCIDENTAL OR CONSEQUENTIAL DAMAGES.** Any implied Warranties applicable to Consumer Products in the United States* terminate concurrently with the expiration of the express Warranties applicable to the product. In the United States*, some states do not allow the exclusion of incidental or consequential damages, or limitations on how long an implied Warranty lasts, so the limitations or exclusions herein may not apply to you.

These Warranties are made to all Owners in the chain of distribution and Coverage continues to all subsequent Owners until the end of the periods of Coverage.

Cummins Responsibilities

During The Base Engine Warranty

Cummins will pay for all parts and labor needed to repair the damage to the Engine resulting from a Warrantable Failure.

Cummins will pay for the lubricating oil, antifreeze, filter elements and other maintenance items that are not reusable due to the Warrantable Failure.

Cummins will pay reasonable costs for mechanics to travel to and from the equipment site, including meals, mileage and lodging, when the repair is performed at the site of the failure.

Cummins will pay reasonable labor costs for Engine removal and reinstallation when necessary to repair a Warrantable Failure.

During The Extended Major Components Warranty

Cummins will pay for the repair or, at its option, replacement of the defective Covered Part and any Covered Part damaged by a Warrantable Failure of the defective Covered Part.

Owner Responsibilities

During The Base Engine Warranty

Owner is responsible for the cost of lubricating oil, antifreeze, filter elements and other maintenance items provided during Warranty repairs unless such items are not reusable due to the Warrantable Failure.

During The Extended Major Components Warranty

Owner is responsible for the cost of all labor needed to repair the Engine, including the labor to remove and reinstall the Engine. When Cummins elects to repair a part instead of replacing it, Owner is not responsible for the labor needed to repair the part.

Owner is responsible for the cost of all parts required for the repair except for the defective Covered Part and any Covered Part damaged by a Warrantable Failure of the defective Covered Part.

Owner is responsible for the cost of lubricating oil, antifreeze, filter elements and other maintenance items replaced during repair of a Warrantable Failure.

During The Base Engine And Extended Major Components Warranties

Owner is responsible for the operation and maintenance of the Engine as specified in the applicable Cummins Operation and Maintenance Manual. Owner is also responsible for providing proof that all recommended maintenance has been performed.

Before the expiration of the applicable Warranty, Owner must notify a Cummins distributor, authorized dealer or other repair location approved by Cummins of any Warrantable Failure and make the Engine available for repair by such facility. Service locations are listed on the Cummins Worldwide Service Locator at cummins.com.

Owner is responsible for communication expenses, meals, lodging and similar costs incurred as a result of a Warrantable Failure.

Owner is responsible for non-Engine repairs, "downtime" expenses, cargo damage, fines, all applicable taxes, all business costs and other losses resulting from a Warrantable Failure.

Limitations

Engines with an emissions certification listed below must be operated using only diesel fuel having no more than the corresponding maximum sulfur content. Failure to use the specified fuel (see also Cummins Fuel Bulletin #3379001)

can damage the Engine and aftertreatment system within a short period of time. This damage could cause the Engine to become inoperable and failures attributable to the use of incorrect fuels will be denied Warranty Coverage.

Maximum sulfur levels by emissions certification level as listed on the Engine's dataplate are:

EPA 2007/2010/2013	max. 15 parts per million
EPA Tier 4 Interim / Final	max. 15 parts per million
EU Stage IIIB 2011	max. 15 parts per million
Euro 4/5	max. 50 parts per million
Euro 6	max. 10 parts per million

Cummins is not responsible for failures or damage resulting from what Cummins determines to be abuse or neglect, including, but not limited to: operation without adequate coolants or lubricants; overfueling; overspeeding; lack of maintenance of lubricating, cooling or intake systems; improper storage, starting, warm-up, run-in or shutdown practices; unauthorized modifications of the Engine. Cummins is also not responsible for failures caused by incorrect oil, fuel or diesel exhaust fluid or by water, dirt or other contaminants in the fuel, oil or diesel exhaust fluid.

For power units and fire pumps (package units), this Warranty applies to accessories, except for clutches and filters, supplied by Cummins which bear the name of another company.

For all other Industrial engines (except those previously mentioned), this Warranty does not apply to accessories which bear the name of another company. Such non-warranted accessories include, but are not limited to: alternators, starters, fans**, air conditioning compressors, clutches, filters, transmissions, torque converters, steering pumps, and non-Cummins fan drives, Engine compression brakes and air compressors.

Cummins Compusave units are covered by a separate Warranty.

Before a claim for excessive oil consumption will be considered, Owner must submit adequate documentation to show that consumption exceeds Cummins published standards.

Failures of belts and hoses supplied by Cummins are not covered beyond the first 500 hours or one year of operation, whichever occurs first.

Parts used to repair a Warrantable Failure may be new Cummins parts, Cummins approved rebuilt parts or repaired parts. Cummins is not responsible for failures resulting from the use of parts not approved by Cummins.

A new Cummins or Cummins approved rebuilt part used to repair a Warrantable Failure assumes the identity of the part it replaced and is entitled to the remaining Coverage hereunder.

For all A Series Applications, including Industrial, travel reimbursement for non-transportable equipment will be limited to 4.0 hours, \$0.25/mile and 250 miles maximum. Any costs beyond this limit are the customer's responsibility.

CUMMINS DOES NOT COVER WEAR OR WEAROUT OF COVERED PARTS.

CUMMINS IS NOT RESPONSIBLE FOR INCIDENTAL OR CONSEQUENTIAL DAMAGES.

THESE WARRANTIES SET FORTH HEREIN ARE THE SOLE WARRANTIES MADE BY CUMMINS IN REGARD TO THESE ENGINES. CUMMINS MAKES NO OTHER WARRANTIES, EXPRESS OR IMPLIED, OR OF MERCHANTABILITY OR FITNESS FOR A PARTICULAR PURPOSE.

This Warranty gives you specific legal rights, and you may also have other rights which vary from state to state.

Emission Warranty

Products Warranted

This Emission Warranty applies to new Engines marketed by Cummins that are used in the United States* and Canada in vehicles designed for Industrial Off-Highway use. This Warranty applies to Engines delivered to the ultimate purchaser on or after April 1, 1999 for Engines up to 750 horsepower and on or after January 1, 2000 for Engines 751 horsepower and over.

Coverage

Cummins warrants to the ultimate purchaser and each subsequent purchaser that the Engine is designed, built and equipped so as to conform at the time of sale by Cummins with all U.S. Federal emission regulations applicable at the

time of manufacture and that it is free from defects in workmanship or material which would cause it not to meet these regulations within the longer of the following periods: (A) ***Five years or 3,000 hours of operation for industrial applications, five years or 3,500 hours of operation for industrial spark-ignited Engines (GTA855, G855, G5.9C, G8.3-C, GTA8.9E, QSK19G) and five years or 2,500 hours of operation for industrial spark-ignited Engines (GKTA19-GC), whichever occurs first, as measured from the date of delivery of the Engine to the ultimate purchaser, or (B) The Base Engine Warranty.

If the vehicle in which the Engine is installed is registered in the state of California, a separate California Emission Warranty also applies.

Limitations

Engines with an emissions certification listed below must be operated using only diesel fuel having no more than the corresponding maximum sulfur content. Failure to use the specified fuel (see also Cummins Fuel Bulletin #3379001) can damage the Engine and aftertreatment system within a short period of time. This damage could cause the Engine to become inoperable and failures attributable to the use of incorrect fuels will be denied Warranty Coverage.

Maximum sulfur levels by emissions certification level as listed on the Engine's dataplate are:

EPA 2007/2010/2013	max. 15 parts per million
EPA Tier 4 Interim / Final	max. 15 parts per million
EU Stage IIIB 2011	max. 15 parts per million
Euro 4/5	max. 50 parts per million
Euro 6	max. 10 parts per million

Failures, other than those resulting from defects in materials or workmanship, are not covered by this Warranty.

Cummins is not responsible for failures or damage resulting from what Cummins determines to be abuse or neglect, including, but not limited to: operation without adequate coolant or lubricants; overfueling; overspeeding; lack of maintenance of lubricating, cooling or intake systems; improper storage, starting, warm-up, run-in or shutdown

practices; unauthorized modifications of the Engine. Cummins is also not responsible for failures caused by incorrect oil, fuel or diesel exhaust fluid or by water, dirt or other contaminants in the fuel, oil or diesel exhaust fluid.

Cummins is not responsible for non-Engine repairs, "downtime" expenses, cargo damage, fines, all business costs or other losses resulting from a Warrantable Failure.

CUMMINS IS NOT RESPONSIBLE FOR INCIDENTAL OR CONSEQUENTIAL DAMAGES.

* United States includes American Samoa, the Commonwealth of Northern Mariana Islands, Guam, Puerto Rico and the U.S. Virgin Islands.

** Alternators, starters, and fans ARE covered for the duration of the Base Engine Warranty on A Series and B3.3 Engines.

** Alternators and starters are covered for the duration of the Base Engine Warranty on QSK23 Engines.

*** Emissions Warranty for BLPG Industrial Off-Highway Engines is 5 years / 3,500 hours.

All Engines International Industrial (Off-Highway) Coverage

Products Warranted

This Warranty applies to new Engines sold by Cummins and delivered to the first user on or after April 1, 1999, that are used in Industrial (Off-Highway) applications anywhere in the world where Cummins approved service is available, except the United States and Canada. Different Warranty Coverage is provided for Engines used in marine, generator drive and certain defense applications.

Base Engine Warranty

This Warranty covers any failures of the Engine, under normal use and service, which result from a defect in material or factory workmanship (Warrantable Failure).

Coverage begins with the sale of the Engine by Cummins. Coverage continues for two years or 2,000 hours of operation, whichever occurs first, from the date of delivery of the Engine to the first user, or from the date the unit is first leased, rented or loaned, or when the Engine has been operated for 50 hours, whichever occurs first. If the 2,000 hour limit is exceeded during the first year, Coverage continues until the end of the first year.

Engine aftertreatment components included in the Cummins Critical Parts List (CPL) and marked with a Cummins part number are covered under Base Engine Warranty.

Extended Major Components Warranty

The Extended Major Components Warranty covers Warrantable Failures of the Engine cylinder block, camshaft, crankshaft and connecting rods (Covered Parts).

Bushing and bearing failures are not covered.

This Coverage begins with the expiration of the Base Engine Warranty and ends three years or 10,000 hours (3,000 hours for A Series Engines) hours of operation, from the date of delivery of the Engine to the first user, or from the date the unit is first leased, rented or loaned, or when the Engine has been operated for 50 hours, whichever occurs first.

These Warranties are made to all Owners in the chain of distribution, and Coverage continues to all subsequent Owners until the end of the periods of Coverage.

Cummins Responsibilities

During The Base Engine Warranty

Cummins will pay for all parts and labor needed to repair the damage to the Engine resulting from a Warrantable Failure.

Cummins will pay for the lubricating oil, antifreeze, filter elements and other maintenance items that are not reusable due to a Warrantable Failure.

Cummins will pay reasonable costs for mechanics to travel to and from the equipment site, including meals, mileage and lodging, when the repair is performed at the site of the failure.

Cummins will pay reasonable labor costs for Engine removal and reinstallation when necessary to repair a Warrantable Failure.

During The Extended Major Components Warranty

Cummins will pay for the repair or, at its option, replacement of the defective Covered Part and any Covered Part damaged by a Warrantable Failure of the defective Covered Part.

Owner Responsibilities

During The Base Engine Warranty

Owner is responsible for the cost of lubricating oil, antifreeze, filter elements and other maintenance items replaced during Warranty repairs unless such items are not reusable due to the Warrantable Failure.

During The Extended Major Components Warranty

Owner is responsible for the cost of all labor needed to repair the Engine, including the labor to remove and reinstall the Engine. When Cummins elects to repair a part instead of replacing it, Owner is not responsible for the labor needed to repair the part.

Owner is responsible for the cost of all parts required for the repair except for the defective Covered Part and any Covered Part damaged by a Warrantable Failure of the defective Covered Part.

Owner is responsible for the cost of lubricating oil, antifreeze, filter elements and other maintenance items replaced during repair of a Warrantable Failure.

During The Base Engine Warranty And Extended Major Components Warranties

Owner is responsible for the operation and maintenance of the Engine as specified in the applicable Cummins Operation and Maintenance Manual. Owner is also responsible for providing proof that all recommended maintenance has been performed.

Before the expiration of the applicable Warranty, Owner must notify a Cummins distributor, authorized dealer or other repair location approved by Cummins of any Warrantable Failure and make the product available for repair by such facility. Service locations are listed in the Cummins Worldwide Service Locator at cummins.com.

Owner is responsible for communication expenses, meals, lodging and similar costs incurred as a result of a Warrantable Failure.

Owner is responsible for non-Engine repairs, "downtime" expenses, cargo damage, fines, all applicable taxes, all business costs and other losses resulting from a Warrantable Failure.

Limitations

Engines with an emissions certification listed below must be operated using only diesel fuel having no more than the corresponding maximum sulfur content. Failure to use the specified fuel (see also Cummins Fuel Bulletin #3379001) can damage the Engine and aftertreatment system within a short period of time. This damage could cause the Engine to become inoperable and failures attributable to the use of incorrect fuels will be denied Warranty Coverage.

Maximum sulfur levels by emissions certification level as listed on the Engine's dataplate are:

EPA 2007/2010/2013	max. 15 parts per million
EPA Tier 4 Interim / Final	max. 15 parts per million

Maximum sulfur levels by emissions certification level as listed on the Engine's dataplate are:

EU Stage IIIB 2011	max. 15 parts per million
Euro 4/5	max. 50 parts per million
Euro 6	max. 10 parts per million

Cummins is not responsible for failures or damage resulting from what Cummins determines to be abuse or neglect, including, but not limited to: operation without adequate coolants or lubricants; overfueling; overspeeding; lack of maintenance of lubricating, cooling or intake systems; improper storage, starting, warm-up, run-in or shutdown practices; unauthorized modifications of the Engine. Cummins is also not responsible for failures caused by incorrect oil, fuel or diesel exhaust fluid or by water, dirt or other contaminants in the fuel, oil or diesel exhaust fluid.

For power units and fire pumps (package units) the Warranty applies to accessories, except for clutches and filters supplied by Cummins which bear the name of another company.

Except for the accessories noted previously, Cummins does not warrant accessories which bear the name of another company. Such non-warranted accessories include, but are not limited to: alternators, starters, fans*, air conditioning compressors, clutches, filters, transmissions, torque converters, steering pumps, non-Cummins fan drives and air cleaners.

Cummins Compusave units are covered by a separate Warranty.

Before a claim for excessive oil consumption will be considered, Owner must submit adequate documentation to show that consumption exceeds Cummins published standards.

Failures of belts and hoses supplied by Cummins are not covered beyond the first 500 hours or one year of operation, whichever occurs first.

Parts used to repair a Warrantable Failure may be new Cummins parts, Cummins approved rebuilt parts or repaired parts. Cummins is not responsible for failures resulting from the use of parts not approved by Cummins.

A new Cummins or Cummins approved rebuilt part used to repair a Warrantable Failure assumes the identity of the part it replaced and is entitled to the remaining Coverage hereunder.

For all A Series Applications, including Industrial, travel reimbursement for non-transportable equipment will be limited to 4.0 hours, \$0.25/mile and 250 miles maximum. Any costs beyond this limit are the customer's responsibility.

CUMMINS DOES NOT COVER WEAR OR WEAROUT OF COVERED PARTS.

CUMMINS IS NOT RESPONSIBLE FOR INCIDENTAL OR CONSEQUENTIAL DAMAGES.

THESE WARRANTIES SET FORTH HEREIN ARE THE SOLE WARRANTIES MADE BY CUMMINS IN REGARD TO THESE ENGINES. CUMMINS MAKES NO OTHER WARRANTIES, EXPRESS OR IMPLIED, OR OF MERCHANTABILITY OR FITNESS FOR A PARTICULAR PURPOSE.

In the case of consumer sales, in some countries, the Owner has statutory rights which cannot be affected or limited by the terms of this Warranty.

Nothing in this Warranty excludes or restricts any contractual rights the Owner may have against third parties.

* Alternators, starters, and fans ARE covered for the duration of the Base Engine Warranty on A Series and B3.3 Engines.

* Alternators and starters are covered for the duration of the Base Engine Warranty on QSK23 Engines.

California Emission Control System Warranty, Off-Highway Products Warranted

This Emission Control System Warranty applies to off-road diesel engines certified with the California Air Resources Board beginning with the year 1996 for engines up to 750 horsepower, beginning with the year 2000 for 751 horsepower and over, marketed by Cummins, and registered in California for use in industrial off-highway applications.

Your Warranty Rights and Obligations

The California Air Resources Board and Cummins Engine Company, Inc., are pleased to explain the emission control system warranty on your engine. In California, new off-road diesel engines must be designed, built and equipped to meet the State's stringent anti-smog standards. Cummins must warrant the emission control system on your engine for the periods of time listed below provided there has been no abuse, neglect or improper maintenance of your engine.

Your emission control system may include parts such as the fuel injection system and the air induction system. Also included may be hoses, belts, connectors and other emission-related assemblies.

Where a warrantable condition exists, Cummins will repair your off-road diesel engine at no cost to you including diagnosis, parts and labor.

Manufacturer's Warranty Coverage

This warranty coverage is provided for 5 years or 3,000 hours of engine operation, whichever first occurs from the date of delivery of the engine to the first user. If any emission-related part on your engine is defective, the part will be repaired or replaced by Cummins.

Coverage

This emission control system warranty applies only to the following A series, B3.3, B3.9, B4.5^s, B5.9, B6.7^s, QSB3.9-30, QSB4.5-30, QSB5.9-30, QSB5.9-44, C8.3, QSC8.3, and QSL9 emission control parts:

Fuel Pump	Intake Manifold
Static Timing	Charge Air Cooler
Delivery Valve	Aftercooler
Injection Control Valve Module	
	Exhaust Manifold
Injectors	
Calibration	Oxidation Catalyst
Needle	
Nozzle	Electronic Control System
Spring	Control Module
	Boost Pressure Sensor
Turbocharger	Coolant Temperature Sensor
Compressor Wheel	Fuel Pressure Sensor
Turbine Wheel	
Turbine Oil Seal	
Wastegate Valve	

Owner's Warranty Responsibilities

As the off-road diesel engine owner, you are responsible for the performance of the required maintenance listed in your Cummins Operation and Maintenance Manual. Cummins recommends that you retain all receipts covering maintenance on your off-road diesel engine, but Cummins cannot deny warranty solely for the lack of receipts or for your failure to ensure the performance of all scheduled maintenance.

You are responsible for presenting your off-road diesel engine to a Cummins dealer as soon as a problem exists. The warranty repairs should be completed in a reasonable amount of time, not to exceed 30 days.

As the off-road diesel engine owner, you should also be aware that Cummins may deny you warranty coverage if your off-road diesel engine or a part has failed due to abuse, neglect, improper maintenance or unapproved modifications.

Your engine is designed to operate on diesel fuel only. Use of any other fuel may result in your engine no longer operating in compliance with California's emissions requirements.

If you have any questions regarding your warranty rights and responsibilities, you should contact Cummins Customer Assistance Department at 1-800-343-7357 (1-800-DIESELS) or the California Air Resources Board at 9528 Telstar Avenue, El Monte, CA 91731.

Prior to the expiration of the applicable warranty, Owner must give notice of any warranted emission control failure to a Cummins distributor, authorized dealer or other repair location approved by Cummins and deliver the engine to such facility for repair. Repair locations are listed in Cummins United States and Canada Service Directory.

Owner is responsible for incidental costs such as: communication expenses, meals, lodging incurred by Owner or employees of Owner as a result of a warrantable failure.

Owner is responsible for business costs and losses, "downtime" expenses, and cargo damage resulting from a warrantable failure. CUMMINS IS NOT RESPONSIBLE FOR OTHER INCIDENTAL OR CONSEQUENTIAL DAMAGES, INCIDENTAL OR CONSEQUENTIAL DAMAGES INCLUDE BUT ARE NOT LIMITED TO FINES, THEFT, VANDALISM OR COLLISIONS.

Replacement Parts

Cummins recommends that any service parts used for maintenance, repair or replacement of emission control systems be new, genuine Cummins or Cummins approved rebuilt parts and assemblies, and that the engine be serviced by a Cummins distributor, authorized dealer or the repair location approved by Cummins. The owner may elect to have maintenance, replacement or repair of the emission control parts performed by a facility other than a Cummins distributor, an authorized dealer or a repair location approved by Cummins, and may elect to use parts other than new genuine Cummins or Cummins approved rebuilt parts and assemblies for such maintenance, replacement or repair; however, the cost of such service or parts will not be covered under this emission control system warranty.

Cummins Responsibilities

Repairs and service will be performed by any Cummins distributor, authorized dealer or other repair location approved by Cummins using new, genuine Cummins or Cummins approved rebuilt parts and assemblies. Cummins will repair any of the emission control parts found by Cummins to be defective without charge for parts or labor (including diagnosis which results in determination that there has been a failure of a warranted emission control part).

Emergency Repairs

In the case of an emergency where a Cummins distributor, authorized dealer, or other repair location approved by Cummins is not available, repairs may be performed by any available repair location using any replacement parts. Cummins will reimburse the Owner for expenses (including diagnosis), not to exceed the manufacturer's suggested retail price for all warranted parts replaced and labor charges based on the manufacturer's recommended time allowance for the warranty repair and the geographically appropriate hourly labor rate. A part not being available within 30 days or a repair not being complete within 30 days constitutes an emergency. Replaced parts and paid invoices must be presented at a Cummins authorized repair facility as a condition of reimbursement for emergency repairs not performed by a Cummins distributor, authorized dealer, or other repair location approved by Cummins.

Warranty Limitations

Cummins is not responsible for failures resulting from Owner or operator abuse or neglect, such as: operation without adequate coolant, fuel or lubricants; overfueling; overspeeding; lack of maintenance of lubricating, cooling or air intake systems; improper storage, starting, warm-up, run-in or shutdown practices.

The manufacturer warrants to the ultimate purchaser and each subsequent purchaser that the engine is designed, built, and equipped so as to conform with all applicable regulations adopted by the Air Resources Board, and that it is free from defects in materials and workmanship which cause the failure of a warranted part.

Any warranted part which is not scheduled for replacement as required maintenance, or which is scheduled only for regular inspection to the effect of "repair or replace as necessary" is warranted for the warranty period.

Any warranted part which is scheduled for replacement as required maintenance is warranted for the period of time prior to the first scheduled replacement point for that part.

The owner will not be charged for diagnostic labor which leads to the determination that a warranted part is defective, if the diagnostic work is performed at a warranty station.

The manufacturer is liable for damages to other engine components caused by the failure under warranty of any warranted part.

Cummins is not responsible for failures resulting from improper repair or the use of parts which are not genuine Cummins or Cummins approved parts.

These warranties, together with the express commercial warranties and emission warranty are the sole warranties of Cummins. There are no other warranties, express or implied, or of merchantability or fitness for a particular purpose.

Notes

Acronyms and Abbreviations	i-7	Fuel Recommendations and Specifications	V-6
General Information.....	i-7	Fuel Recommendations.....	V-6
Additional Service Literature	L-1	General Engine	V-1
General Information.....	L-1	Specifications.....	V-1
California Emission Control System Warranty, Off-Highway	W-13	General Safety Instructions	i-3
Cold Weather Starting	1-9	Important Safety Notice.....	i-3
General Information.....	1-9	Illustrations	i-2
Using Starting Aids.....	1-10	General Information.....	i-2
Coolant Recommendations and Specifications	V-14	Lubricating Oil Recommendations and Specifications	V-8
Cooling System Sealing Additives.....	V-17	General Information.....	V-8
Cooling System Soluble Oils.....	V-17	New Engine Break-in Oils.....	V-13
Fully Formulated Coolant/Antifreeze.....	V-14	Lubricating Oil System	V-2
Cooling System	V-4	Specifications.....	V-2
Specifications.....	V-4	Maintenance Guidelines - Overview	2-1
Cummins Customized Parts Catalog	L-5	General Information.....	2-1
General Information.....	L-5	Maintenance Record Form	2-6
Ordering the Customized Parts Catalog.....	L-5	Maintenance Data.....	2-6
Ordering by Telephone.....	L-5	Maintenance Schedule	2-2
Ordering On-Line.....	L-6	General Information.....	2-2
Cummins®/Fleetguard® Filter Specifications	V-5	Oil Drain Intervals.....	2-4
General Information.....	V-5	Normal Starting Procedure	1-4
Electromagnetic Interference (EMI)	1-18	General Information.....	1-4
General Information.....	1-18	Jump Starting.....	1-7
System EMI Radiation Levels.....	1-18	All Engines International Industrial (Off-Highway)	W-8
System EMI Susceptibility.....	1-18	All Engines United States And Canada Industrial (Off-Highway)	W-1
Engine Identification	E-1	Operating Instructions - Overview	1-1
Air Compressor.....	E-7	General Information.....	1-1
Cummins® Engine Nomenclature.....	E-5	Operating the Engine	1-11
ECM Dataplate.....	E-6	Cold Weather.....	1-13
Engine Dataplate.....	E-1	Normal.....	1-11
Fuel Injection Pump Dataplate.....	E-5	Winterfronts and Shutters.....	1-14
Engine Operating Range	1-15	Service Literature Ordering Location	L-4
General Information.....	1-15	Contact Information.....	L-4
Engine Shutdown	1-17	Starting Procedure After Extended Shutdown or Oil Change	1-10
General Information.....	1-17	General Information.....	1-10

Index
Page X-2

Symbols	i-1
General Information.....	i-1

CALIFORNIA
Proposition 65 Warning

Diesel engine exhaust and some of its constituents are known to the State of California to cause cancer, birth defects, and other reproductive harm.

Cummins Inc.
Box 3005
Columbus, Indiana, U.S.A., 47202

Registered Office
Cummins Ltd.
49 - 51 Gresham Road,
Staines,
Middlesex TW18 2BD,
England
Registration 573951 England

Copyright® 2013
Cummins Inc.

Cummins Customer Assistance Center
1-800-DIESELS™ (1-800-343-7357)
APPLICABLE ONLY IN U.S.A. AND CANADA

Bulletin 4915973
Printed in U.S.A. 11-MARCH-2013

