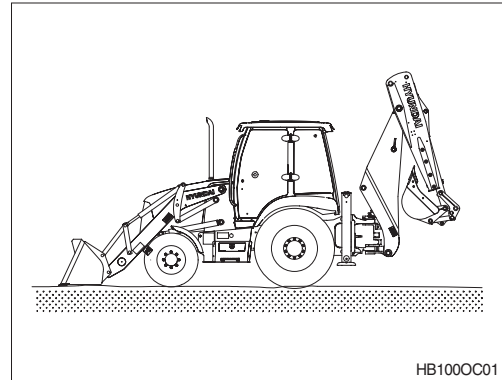


GROUP 3 OPERATIONAL CHECKOUT RECORD SHEET

- Owner : _____
- Date : _____
- Hours : _____
- Serial No. : _____
- Technician : _____

※ **Use this sheet to record operational checkout results.**
Perform the operational check before installing any test equipment.



Item	OK	NOT OK	Comments
------	----	-----------	----------

1. Monitor indicator and gauge checks (engine OFF)

- | | | | |
|--|--------------------------|--------------------------|--|
| • Hourmeter and gauge check | <input type="checkbox"/> | <input type="checkbox"/> | |
| • Battery check | <input type="checkbox"/> | <input type="checkbox"/> | |
| • Monitor indicator circuit check | <input type="checkbox"/> | <input type="checkbox"/> | |
| • Cluster turn signals and warning indicator check | <input type="checkbox"/> | <input type="checkbox"/> | |

2. Transmission, axle and engine, neutral start switch and reverse warning alarm switch checks

- | | | | |
|--|--------------------------|--------------------------|--|
| • Transmission control lever and neutral | <input type="checkbox"/> | <input type="checkbox"/> | |
| • Neutral start and reverse warning | <input type="checkbox"/> | <input type="checkbox"/> | |
| • Alarm circuit checks | <input type="checkbox"/> | <input type="checkbox"/> | |

3. Monitor indicator and gauge checks (engine running)

- | | | | |
|--|--------------------------|--------------------------|--|
| • Monitor display and alternator output checks | <input type="checkbox"/> | <input type="checkbox"/> | |
| • Monitor bypass circuit and seat belt indicator check | <input type="checkbox"/> | <input type="checkbox"/> | |
| • Monitor primary and secondary level check | <input type="checkbox"/> | <input type="checkbox"/> | |
| • Transmission oil warm up procedure | <input type="checkbox"/> | <input type="checkbox"/> | |
| • Transmission temperature lamp check | <input type="checkbox"/> | <input type="checkbox"/> | |

4. Brake system and clutch cut off checks

- Park brake capacity check _____
- Park brake transmission lockout check _____
- Service brake pump flow check _____
- Service brake capacity check _____
- Brake accumulator precharge check _____
- Brake system leakage check _____
- Service brake pedal check _____
- Service and park brake system drag check _____
- Clutch cut off check _____

5. Driving checks

- Transmission oil warm up procedure _____
- Transmission noise check _____
- Speedometer check _____
- Transmission kick down system check _____
- 1st, 2nd, 3rd and 4th speed clutch pack drag check _____
- Transmission pressure, pump flow and leakage check _____
- Transmission shift modulation check _____
- Torque converter check _____
- Engine power check _____

6. Hydraulic system checks

- Hydraulic system warm up procedure _____
- Hydraulic pump performance check _____
- Pilot control valve boom float check _____
- Boom down solenoid valve check _____
- Control valve lift check _____
- Bucket rollback circuit relief valve check _____
- Bucket dump circuit relief
- Low pressure check _____
- High pressure check _____
- Boom and bucket cylinder drift check _____
- Boom down solenoid valve leakage check _____
- Pilot controller check _____
- Return to dig check _____
- Boom height kickout check-if equipped _____

7. Steering system checks

- Steering unit check _____
- Steering system leakage check _____

8. Accessory checks

- Operating lights check _____
- Work light check _____
- Brake light check _____
- Cab light check _____
- Horn circuit check _____
- Windshield washer and wiper check _____
- Defroster blower check _____
- Heater/Air conditioner blower check _____
- Heater functional check _____
- Air conditioner functional check _____
- Start aid system check _____

9. Cab components and vandal protection checks

- Cab door latch check _____
- Cab door hold open latch check _____
- Cab door release button check _____
- Cab door lock check _____
- Cab door window check _____
- Cab window latch check _____
- Steering column adjustment check _____
- Seat and seat belt check _____
- Air intake filter door check _____
- Engine side panels check _____
- Radiator cap access door check _____
- Boom lock check _____
- Service decal check _____