

GROUP 2 ENGINE SPEED & STALL RPM

1. TEST CONDITION

- 1) Normal temperature of the whole system
 - Coolant : Approx 80°C (176°F)
 - Hydraulic oil : 45 ± 5°C (113 ± 10°F)
 - Transmission oil : 75 ± 5°C (167 ± 10°F)
- 2) Normal operating pressure : See page 6-77, 79.

2. SPECIFICATION

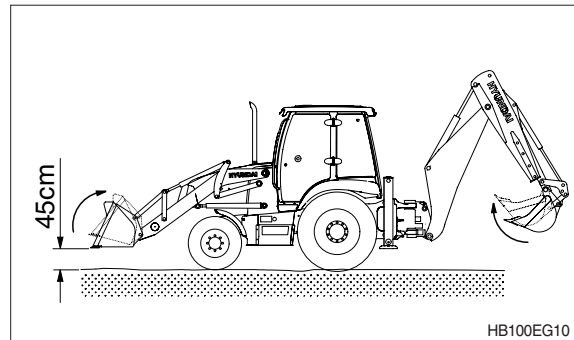
Engine speed, rpm						
High idle (backhoe)	High idle (loader)	Low idle	Hyd stall (backhoe)	Hyd stall (loader)	Converter stall	Full stall
2300±50	2400±50	1000±50	2250±70	2300±70	2020±70	1640±100

3. ENGINE RPM CHECK

Remark : If the checked data is not normal, it indicates that the related system is not working properly. Therefore, it is required to check the related system pressure : See page 6-77, 79.

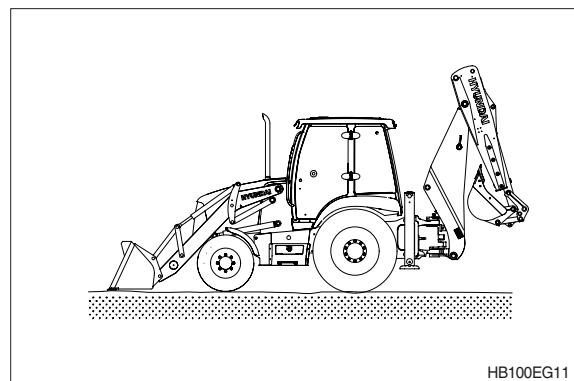
1) Hydraulic stall rpm (loader/backhoe)

- Start the engine and raise the bucket approx 45 cm (1.5 ft) as the figure.
- Press the accelerator pedal fully and operate the loader/backhoe bucket control lever to the retract position fully.
- Check the engine rpm at the above condition.



2) Converter stall rpm

- Start the engine and lower the loader bucket on the ground as the figure.
- Press the brake pedal and accelerator pedal fully.
- Shift the transmission lever to the 4th forward position.
- Check the engine rpm at the above condition.



3) Full stall rpm

- Start the engine and raise the loader bucket approx 45 cm (1.5 ft) as the figure.
- Press the brake pedal and accelerator pedal fully.
- Shift the transmission lever to the 4th forward position and operate the loader bucket lever to the retract position fully.
- Check the engine rpm at the above condition.

