

## GROUP 3 TESTS AND ADJUSTMENTS

### 1. HYDRAULIC OIL CLEAN UP PROCEDURE USING PORTABLE FILTER CADDY

- ※ Service equipment and tool
    - Portable filter caddy
    - Two 4000 mm × 1in 100R1 Hoses
    - Quick disconnect fittings.
    - Discharge wand
    - Various size fittings.
  - ※ Loader system uses oil from hydraulic oil tank. Flush all lines in the loader, pilot system. Disassemble and clean major components for hydraulic system.
- 1) If hydraulic system is contaminated due to a major component failure, remove and disassemble steering cylinders to clean debris from cylinders.
  - 2) Install a new return filter element. Inspect filter housing before installing new element.
    - ※ For a failure that creates a lot of debris, remove access cover from hydraulic oil tank. Drain and clean hydraulic oil tank of fill the specified oil to hydraulic oil tank through upper cover.
  - 3) To minimize oil loss, pull a vacuum in hydraulic oil tank using a vacuum pump. Connect filter caddy suction line to drain port at bottom of hydraulic oil tank using connector. Check to be sure debris has not closed drain port.
  - 4) Put filter caddy discharge line into hydraulic oil tank filler hole so end is as far away from drain port as possible to obtain a thorough cleaning of oil.

- 5) Start the filter caddy. Check to be sure oil is flowing through the filters.  
Operate filter caddy approximately 10 minutes so oil in hydraulic oil tank is circulated through filter a minimum of four times.
  - ※ Hydraulic oil tank capacity : 50 l (13.2 U.S. gal)Leave filter caddy operation for the next steps.
- 6) Start the engine and run it at high idle.
  - ※ For the most effective results, cleaning procedure must start with the smallest capacity circuit then proceed to the next largest capacity circuit.
- 7) Operate all functions, one at a time, through a complete cycle in the following order: Clam, steering, bucket, and boom. Also include all auxiliary hydraulic functions. Repeat procedure until the total system capacity has circulated through filter caddy seven times, approximately 30 minutes. Each function must go through a minimum of three complete cycles for a through cleaning for oil.
  - ※ Filtering time for machines with auxiliary hydraulic functions must be increased because system capacity is larger.
- 8) Stop the engine. Remove the filter caddy.
- 9) Install a new return filter element.
- 10) Check oil level in reservoir; Add oil if necessary.

### 3. TEST TOOLS

#### 1) CLAMP-ON ELECTRONIC TACHOMETER INSTALLATION

- Service equipment and tools
- Tachometer

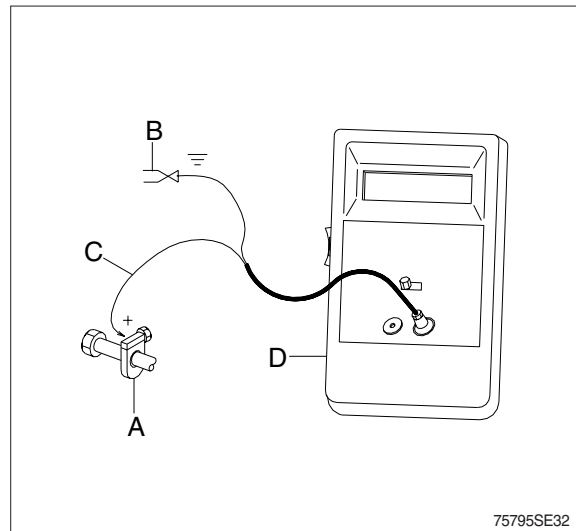
A : Clamp on tachometer.

Remove paint using emery cloth and connect to a straight section of injection line within 100 mm (4 in) of pump. Finger Tighten only-do not over tighten.

B : Black clip (-). Connect to main frame.

C : Red clip (+). Connect to transducer.

D : Tachometer readout. Install cable.



#### 2) DIGITAL THERMOMETER INSTALLATION

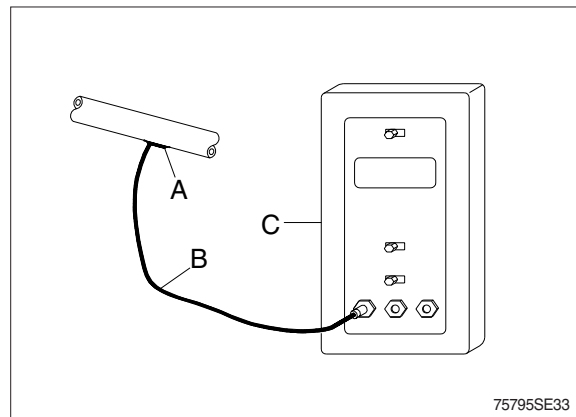
- Service equipment and tools
- Digital thermometer

A : Temperature probe.

Fasten to a bare metal line using a tie band. Wrap with shop towel.

B : Cable.

C : Digital thermometer.



#### 3) DISPLAY MONITOR TACHOMETER

The display monitor tachometer is accurate enough for test work.



#### **4. HYDRAULIC OIL WARM UP PROCEDURE**

- 1) Install temperature reader (see temperature reader installation procedure in this group).
- 2) Run engine at high idle.
- 3) Hold a hydraulic function over relief to heat the oil.
- 4) Periodically cycle all hydraulic functions to distribute warm oil.
- 5) Heat oil to test specification (approx. 45° C).

## 5. MAIN HYDRAULIC PUMP FLOW TEST

### · SPECIFICATION

Oil temperature	$45 \pm 5^{\circ}\text{C}$ ( $113 \pm 41^{\circ}\text{F}$ )
Engine speed	$2200 \pm 50$ rpm (rated)
Test pressure	$250 \pm 10$ bar (3560 psi)
Maximum pump flow	

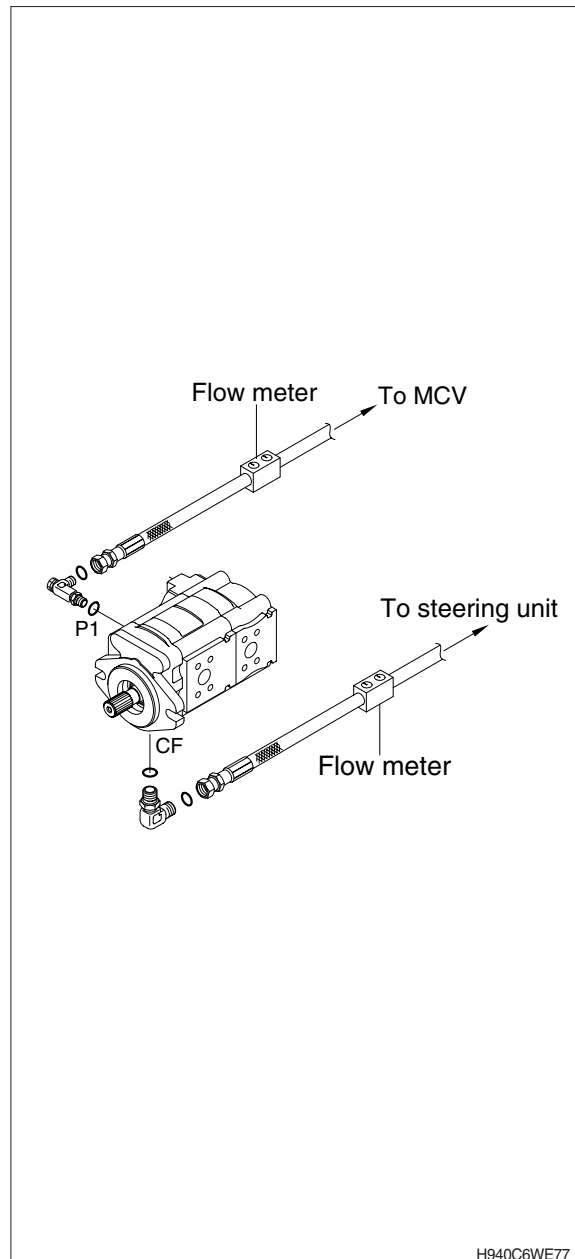
Unit : l / min (U.S. gpm)

Item	H940S 4WS
P1 pump	77 (20.3)
P2 pump (CF)	68 (18.0)

### · FLOW METER GAUGE AND TOOL

Gauge 0~35 MPa (0~350 bar, 0~5000 psi)  
Temperature reader

- 1) Make test connections.
- 2) Install temperature reader.  
(see temperature reader installation procedure in this group)
- 3) Heat hydraulic oil to specifications.  
(see hydraulic oil warm up procedure in this group)
- 4) Run engine at test specifications.
- 5) Close flow meter loading valve to increase pressure to test specifications.
- 6) Read flow meter.
- 7) If flow is below specifications, check suction line and suction pressure for abnormality before removing pump.



H940C6WE77

## 6. MAIN CONTROL VALVE PRESSURE TEST (LOADER)

### · SPECIFICATION

Oil temperature (40~50°C)

Relief valve	Engine speed	Relief pressure
System (M)	High	250 ± 5 kgf/cm <sup>2</sup> (3560 ± 70 psi)
Bucket rollback (R)	Low	300 ± 5 kgf/cm <sup>2</sup> (4270 ± 70 psi)
Bucket dump (D)	Low	175 ± 5 kgf/cm <sup>2</sup> (2490 ± 70 psi)
Unloading (U)	Low	220 ± 5 kgf/cm <sup>2</sup> (3130 ± 70 psi)

### · Gauge and tool

Gauge 0~35 MPa (0~350 bar, 0~5000 psi)

M : System (main) relief valve

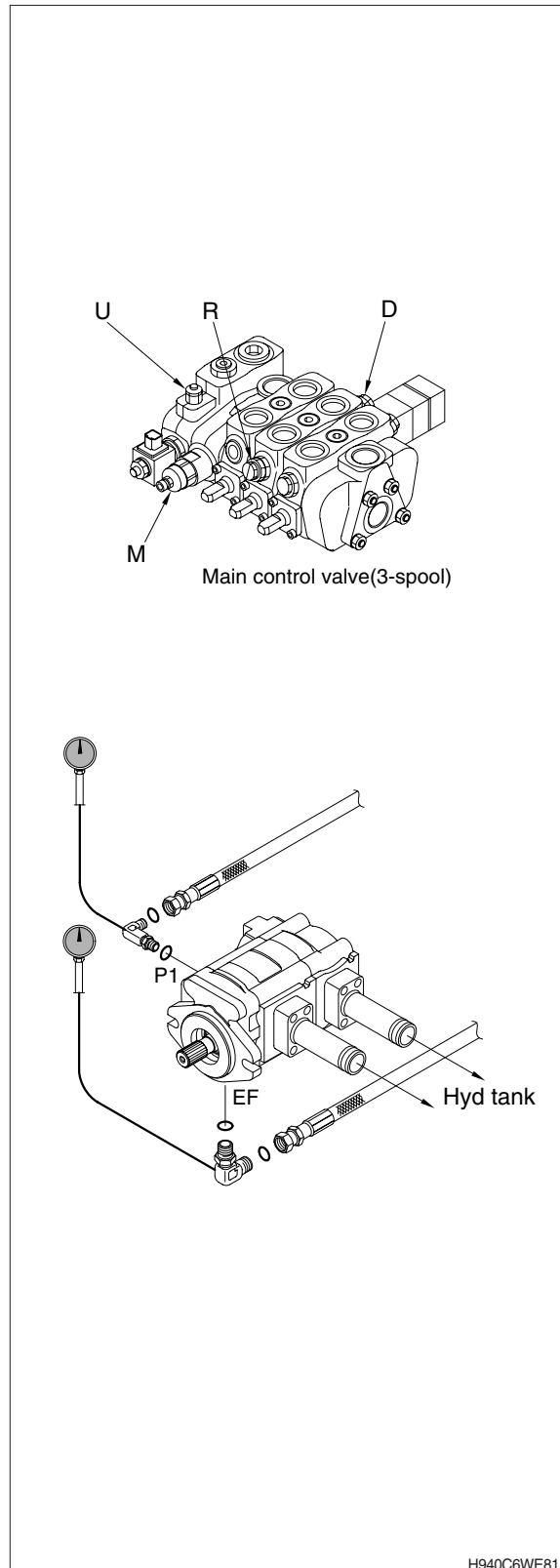
R : Bucket rollback relief valve

D : Bucket dump relief valve

U : Unloading valve

- 1) Install fitting and pressure gauge to test port in pump delivery line.
- 2) Install temperature reader.  
(see temperature reader installation procedure in this group)
- 3) Heat hydraulic oil to specifications.  
(see hydraulic oil warm up procedure in this group)
- 4) To check the system relief valve (M), run engine at high idle. Lower boom to bottomed position.  
Slowly activate boom down function while watching pressure gauge. If pressure is not to specification, loosen lock nut on system relief valve (M) and adjust to specification.

※ Do not adjust the system relief valve above 250 kg/cm<sup>2</sup> (3560 psi). Damage to the pump will result from excessive pressure settings.



## 7. MAIN CONTROL VALVE PRESSURE TEST (BACKHOE)

### · SPECIFICATION

Oil temperature  $45 \pm 5^{\circ}\text{C}$  ( $113 \pm 9^{\circ}\text{F}$ )

Relief valve	Engine speed	Relief pressure
System	High	$250 \pm 5 \text{ kgf/cm}^2$ ( $3560 \pm 70 \text{ psi}$ )
Boom raise (U) Boom down (W) Bucket rollback (R) Bucket dump (D) Dipper in (N) Dipper out (O)	Low	$280 \pm 5 \text{ kgf/cm}^2$ ( $3980 \pm 70 \text{ psi}$ )
Boom swing, LH/RH (S)	Low	$250 \pm 5 \text{ kgf/cm}^2$ ( $3560 \pm 70 \text{ psi}$ )

### · GAUGE AND TOOL

Gauge 0~35 MPa (0~350 bar, 0~5000 psi)

U : Boom raise relief valve

W : Boom down relief valve

R : Bucket rollback relief valve

D : Bucket dump relief valve

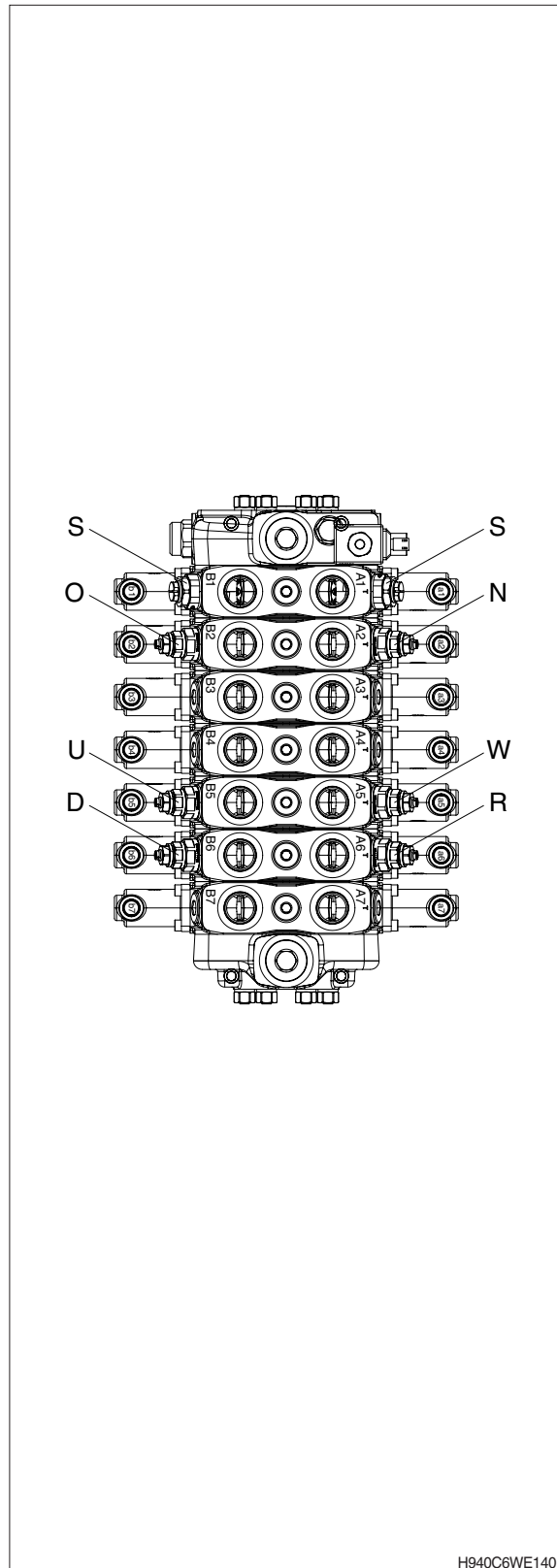
N : Dipper in relief valve

O : Dipper out relief valve

S : Boom swing relief valve

- 1) Install pressure gauge to plate in pump delivery line.
- 2) Install temperature reader.  
(See temperature reader installation procedure in this group.)
- 3) Heat hydraulic oil to specifications.  
(See hydraulic oil warm up procedure in this group.)
- 4) To check the system relief valve(M), run engine at high idle. Lower boom to bottomed position.  
Slowly activate boom down function while watching pressure gauge. If pressure is not to specification, loosen lock nut on system relief valve(M) and adjust to specification.

※ Do not adjust the system relief valve above  $250 \text{ kgf/cm}^2$  (3560 psi). Damage to the pump will result from excessive pressure settings.



H940C6WE140

## 8. HYDRAULIC SYSTEM RESTRICTION TEST

### · SPECIFICATION

Oil temperature	$45 \pm 5^{\circ}\text{C}$ ( $113 \pm 9^{\circ}\text{F}$ )
Engine speed	High idle
Maximum pressure at steering unit	2 MPa (20 bar, 285 psi)
Maximum pressure at main control valve	1.5 MPa (15 bar, 213 psi)

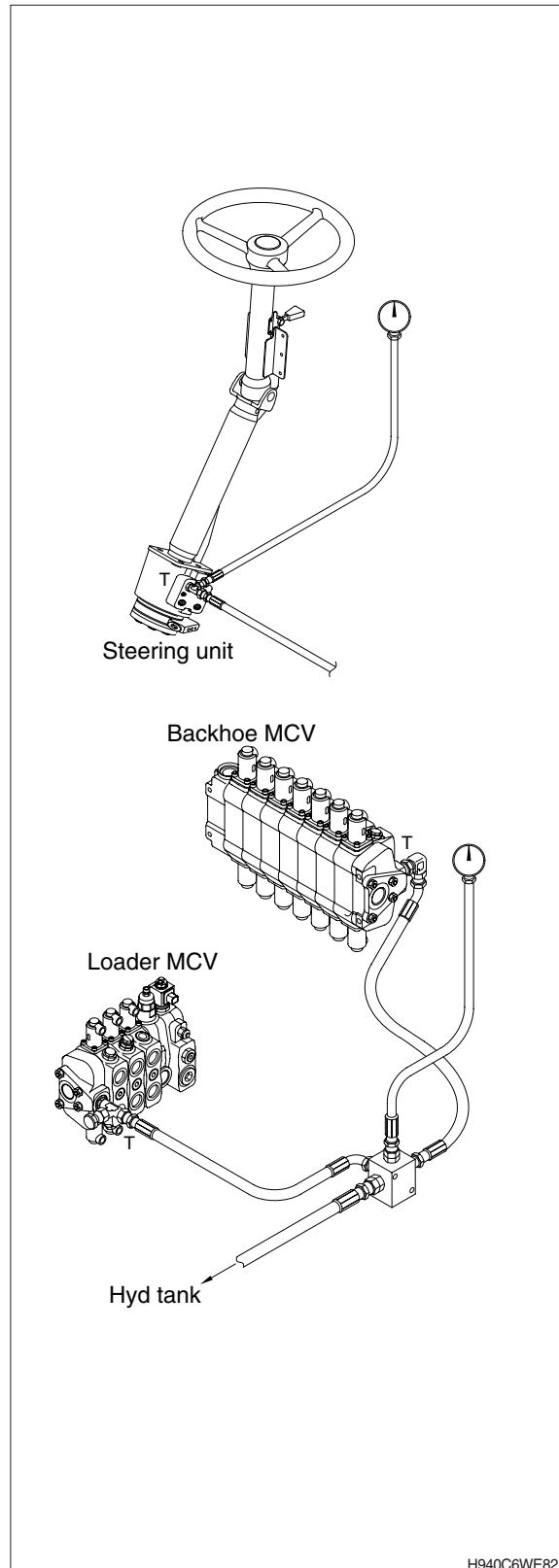
### · GAUGE AND TOOL

Gauge 0~7 MPa (0~70 bar, 0~1000 psi) 2EA  
This test will check for restrictions in the hydraulic system which can cause overheating of hydraulic oil.

- 1) Install temperature reader.  
(see temperature reader installation procedure in this group)
- 2) Heat hydraulic oil to specifications.  
(see hydraulic oil warm up procedure in this group)
- 3) Connect fitting and gauge to steering valve.
- 4) Connect fitting and gauge to main control valve.
- ▲ **Do not operate steering or loader functions or test gauge may be damaged.**
- 5) Run engine at specification and read pressure gauges.

If pressure is more than specification at the loader control valve, check for a kinked, dented or obstructed hydraulic line. Check loader control valve for a binding spool.

If pressure is more than specification at the steering unit, inspect neutral condition of the steering unit and steering valve for a stuck spool. Make sure orifice plugs are installed in ends of priority valve spool. Check for plugged orifice in priority valve and dynamic signal orifice on steering valve body.



H940C6WE82



## 9. CYLINDER DRIFT TEST

### · SPECIFICATION

Oil temperature  $45 \pm 5^{\circ}\text{C}$  ( $113 \pm 9^{\circ}\text{F}$ )

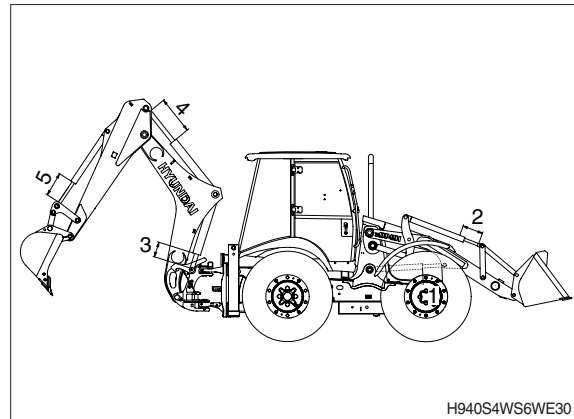
Boom horizontal

Bucket horizontal

Bucket unloaded

Unit : mm

No.	Item	Standard value
1	Retraction of boom cylinder rod (loader)	$\leq 30$
2	Retraction of bucket cylinder rod (loader)	$\leq 30$
3	Retraction of boom cylinder rod (backhoe)	$\leq 20$
4	Retraction of dipper cylinder rod (backhoe)	$\leq 20$
5	Retraction of bucket cylinder rod (backhoe)	$\leq 20$



### · GAUGE AND TOOL

Stop watch

Temperature reader

▲ Put the safety lock lever in the lock position.

▲ Do not go under the work equipment.

- 1) Set the boom and bucket horizontal, then stop the engine.
- 2) Stop the engine, wait for 5 minutes, then start measuring.
- 3) Measure the amount the boom and bucket cylinder rods retract during 15 minutes.

## 10. CYLINDER LEAKAGE TEST

### · SPECIFICATION

Oil temperature  $45 \pm 5^{\circ}\text{C}$  ( $113 \pm 9^{\circ}\text{F}$ )

Engine speed Low idle

Maximum leakage 12 cc /10 min

### · GAUGE AND TOOL

Temperature reader

Stop watch

Measuring container

1) Fasten temperature sensor to head end port of cylinder to be tested. Cover sensor with a shop towel.

2) Heat hydraulic oil to specifications (see hydraulic oil warm up procedure in this group).

**▲ Never work under raised equipment unless it is supported with a hoist or support stands.**

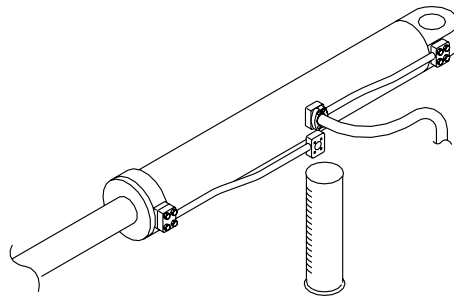
3) Full extend the cylinder to be tested. If testing the boom cylinders, restrain boom in the fully raised position using a hoist or a stand.

※ Check cylinders for leakage in the fully extended position only. In the retracted position contacts the end of the cylinder and seals off piston seal leakage.

4) Remove and plug cylinder rod end hose or line.

5) Run engine at slow idle. Activate control lever to extend cylinder for 1 minute over relief while measuring leakage for open port.

If leakage is within specification, excessive cylinder drift is caused by leakage in the loader control valve or circuit relief valve.



(770-3ATM) 6-56

## 11. PILOT OIL SUPPLY UNIT PRESSURE TEST

### · SPECIFICATION

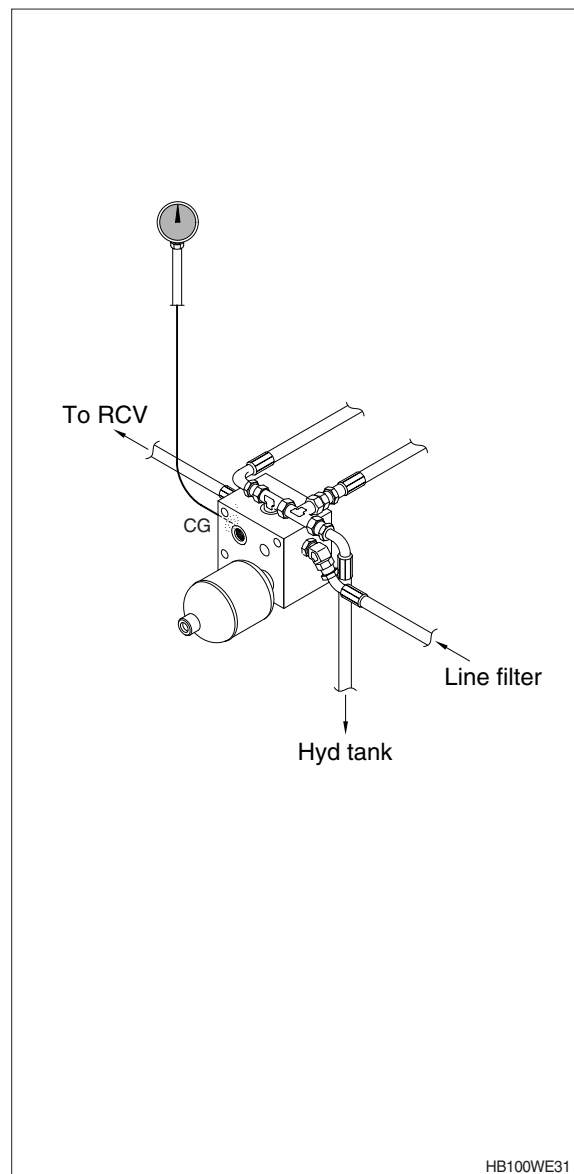
Oil temperature	$45 \pm 5^{\circ}\text{C}$ ( $113 \pm 9^{\circ}\text{F}$ )
Engine speed	Low idle and stop
Pilot pressure setting (backhoe)	$30 \text{ kgf/cm}^2$ (430psi)
Pilot pressure setting (stabilizer)	$30 \text{ kgf/cm}^2$ (430psi)
Reducing & relief valve setting pressure	$30 \text{ kgf/cm}^2$ (430psi)
Accumulator precharging pressure	$15 \text{ kgf/cm}^2$ (215psi)

### · GAUGE AND TOOL

Gauge 0~7MPa(0~70bar, 0~1000psi)

The pilot supply unit consist of the pressure reducing & relief valve, solenoid valve and an accumulator. This regulates pressure to the pilot control circuit.

- 1) Connect gauge to test port on the block.
- 2) Install temperature reader.  
(See temperature reader installation procedure in this group.)
- 3) Heat hydraulic oil to specification.(See hydraulic oil warm up procedure in this group.)
- 4) Run engine at low idle for 1 minute and stop engine, wait for 5 minutes. Then start measuring.
- 5) If pressure in not within specifications, replace valve. The valve is staked and should not be adjusted.

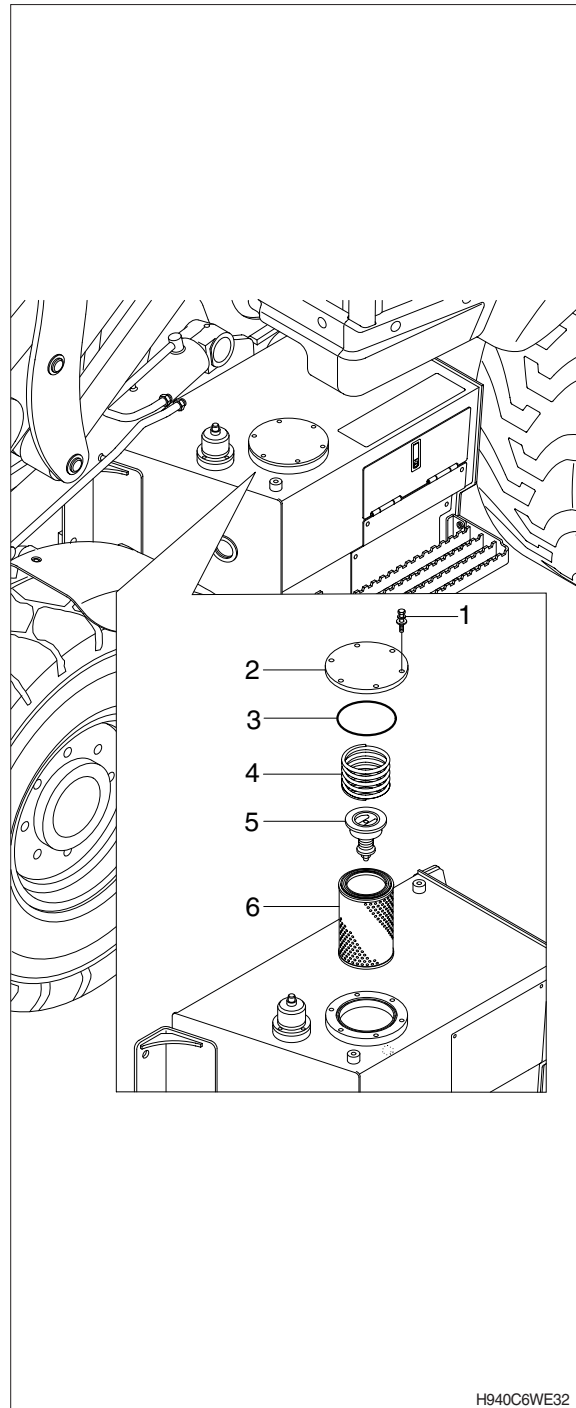


## 12. HYDRAULIC OIL FILTER INSPECTION PROCEDURE

- 1) Lower the bucket to the ground, stop the engine, move the control lever back and forth several times, and clean all over the upper surface of the hydraulic oil tank.
- 2) Remove the bolts (1) and take out the filter case cover (2) and O-ring (3).
- 3) Remove the spring (4) and bypass valve (5).
- 4) Remove the filter element (6) from the tank.
- 5) Check the element and the filter case bottom for debris. Excessive amounts of brass and steel particles can indicate a failed hydraulic pump or a pump failure in process. A rubber type of material can indicate cylinder packing or other packing failure.

※ The hydraulic oil filter in the filter case of the hydraulic oil tank should be replaced every 250 operating hours or more often. When the filter element is replaced, please keep as follows.

- (1) Clean the inside of the filter case.
- (2) Place new element in the proper positions inside the filter case.
- (3) Install the bypass valve and spring. Make sure the element stand upright, and check for complete contact of the element bottom with the filter case bottom.
- (4) Install the O-ring and filter case covers. Tighten them with bolt. Replace the O-ring with new one if damaged.sa



H940C6WE32