

GROUP 6 CONNECTORS

1. CONNECTOR DESTINATION

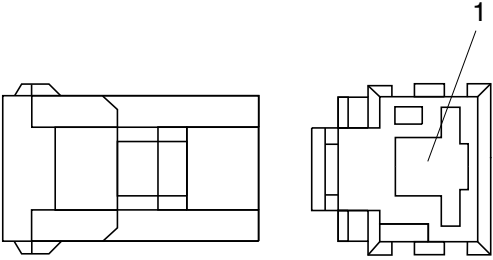
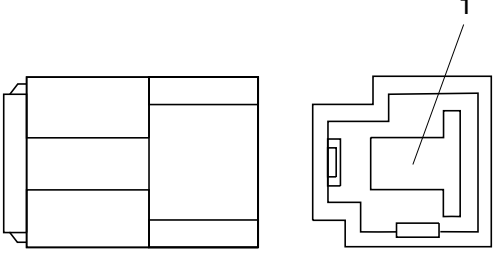
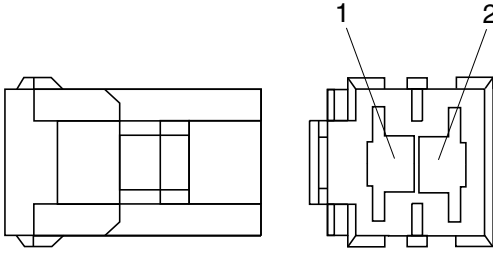
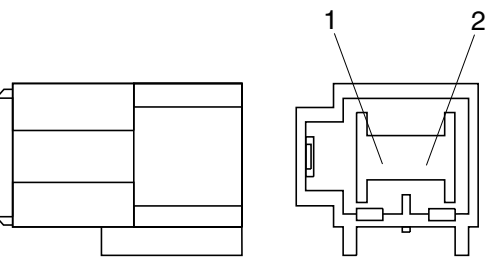
Connector number	Type	No. of pin	Destination	Connector part No.	
				Female	Male
CN-1	TYCO	15	l/conn (RH console harness-frame harness)	368301-1	285262-1
CN-2A	TYCO	15	l/conn (main harness-dashboard harness)	368301-1	285262-1
CN-2B	TYCO	15	l/conn (dashboard harness-main harness)	368301-1	285262-1
CN-2C	TYCO	10	l/conn (dashboard harness-main harness)	174655-2	174657-2
CN-4	KET	2	Power 1	7123-4125-50	-
CN-5	SWP	2	Power 2	S813-030200	-
CN-6A	TYCO	8	l/conn (main harness-cab harness)	174982-2	174984-2
CN-6B	TYCO	8	l/conn (cab harness-main harness)	174982-2	174984-2
CN-7	AMP	16	l/conn (RH console harness-frame harness)	368047-1	368050-1
CN-13	DEUTSCH	12	l/conn (frame harness-engine harness)	DT06-12S-EP06	DT04-12P
CN-20	MOLEX	2	Horn (loader)	36825-0211	-
CN-21	HW090 sealed	6	Front wiper motor	936257-1	-
CN-22	KET	2	Front washer tank	MG640605	-
CN-23	KET	2	Speaker (LH)	7123-2520	-
CN-24	KET	2	Speaker (RH)	7123-2520	-
CN-25	MOLEX	2	Horn (backhoe)	36825-0211	-
CN-27	PA	16	Radio and USB player	PK145-16017	-
CN-28	250	1	Compressor (Air con)	S810-001202	S810-101202
CN-45	RING TERM	2	Starter	R5.5-6	R5.5-8
CN-56	AMP	20	Cluster	174047-2	-
CN-57	TYCO	8	Cluster	1-1318119-4	-
CN-61	DEUTSCH	2	Fuel lift pump	DT06-2S-EP06	-
CN-62	TYCO	2	Elec shut off	85202-1	-
CN-65	DEUTSCH	2	Back up buzzer	DT06-2S-EP06	-
CN-66	DEUTSCH	2	Breaker	DT06-2S-EP06	-
CN-68	DEUTSCH	2	Safety	DT06-2S-EP06	-
CN-74	RING TERM	2	Alternator	R5.5-5	-
CN-75	DEUTSCH	2	Pattern exchanger	DT06-2S-EP06	-
CN-79	AMP	1	Cold start temp switch	171809-2	-
CN-81	DEUTSCH	2	Back buzzer	DT06-2S-EP06	-
CN-101	DEUTSCH	3	Proximate	DT06-3S-EP06	-
CN-102	HW090 sealed	4	Rear wiper motor (backhoe)	S810-004213	-
CN-103	KET	2	Rear washer tank	MG640605	-
CN-104	AMP	8	RPM gauge	1-1318119-4	-

Connector number	Type	No. of pin	Destination	Connector part No.	
				Female	Male
CN-107	250	4	Fuel gauge	S810-004202	-
CN-111A	DEUTSCH	3	Stabilizer (LH)	DT06-3S-EP06	-
CN-112A	DEUTSCH	3	Stabilizer (RH)	DT06-3S-EP06	-
CN-114	DEUTSCH	2	Return to dig	DT06-2S-EP06	-
CN-121	DEUTSCH	2	CLAM (LH)	DT06-2S-EP06	-
CN-122	DEUTSCH	2	CLAM (RH)	DT06-2S-EP06	-
CN-125	DEUTSCH	2	Side shift lock	DT06-2S-EP06	-
CN-127	AMP	8	Speed meter	1-1318119-4	-
CN-136	DEUTSCH	2	Ride control	DT06-2S-EP06	-
CN-137	DEUTSCH	2	Ride control	DT06-2S-EP06	-
CN-158	DEUTSCH	12	Gear shift lever	-	DT04-12P
CN-169	DEUTSCH	4	Cluster	DT06-4S-EP06	-
CN-177	RUBBER CAP	2	Parking pressure	21EA-00310	-
Relay					
CR-4	TYCO	5	Wiper relay 1	VCFM-1002	-
CR-6	250	6	Wiper relay (1 NT)	S810-006202	-
CR-11	HELLA	5	Flasher unit	8JA-003-526-001	-
CR-23	KET	4	Start relay	MG612017-5	-
CR-24	KET	2	Preheater relay	MG610320	-
CR-26	TYCO	5	Wiper relay 2	VCFM-1002	-
CR-58	TYCO	5	Back up relay	VCFM-1002	-
CR-63	TYCO	5	Stop lamp relay	VCFM-1002	-
CR-95	TYCO	5	Wiper relay 3	VCFM-1002	-
CR-150	HELLA	5	T/M relay	8JA-003-526-001	-
CR-155	TYCO	5	Differential lock relay	VCFM-1002	-
Switch					
CS-2	KET	6	Start key switch	S814-006000	-
CS-3	SWF	10	Rear wiper switch	593757	-
CS-4	SWF	10	Safety switch	593757	-
CS-5	DEUTSCH	2	Horn switch	-	DT04-2P
CS-10	SWF	10	Return to dig switch	593757	-
CS-11	DEUTSCH	12	Multifunction switch	DT06-12S	-
CS-12	DEUTSCH	4	Multifunction switch	DT06-4S	-
CS-13	SWF	10	Rear lamp switch	593757	-
CS-16	SWF	10	Pattern exchanger switch	593757	-
CS-17	SWF	10	Parking switch	593757	-
CS-21	SWF	10	Main light switch	593757	-

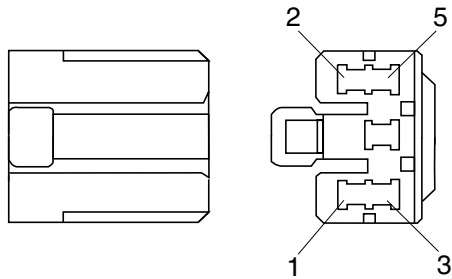
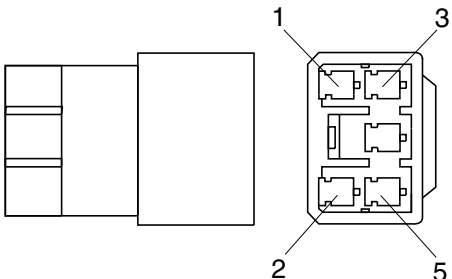
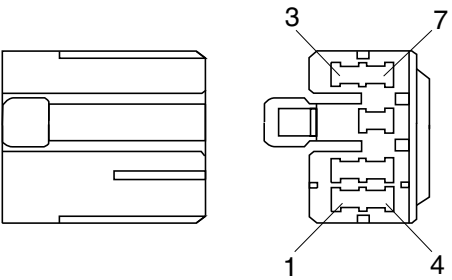
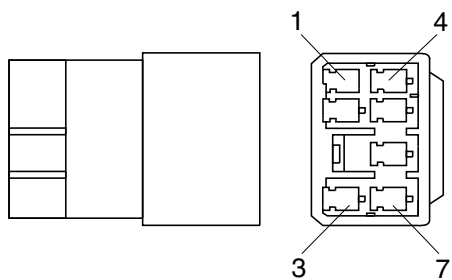
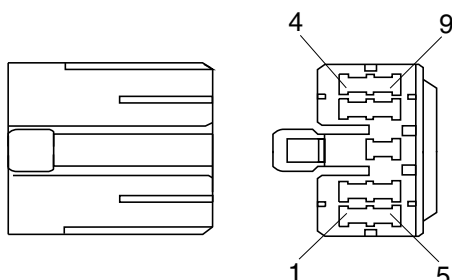
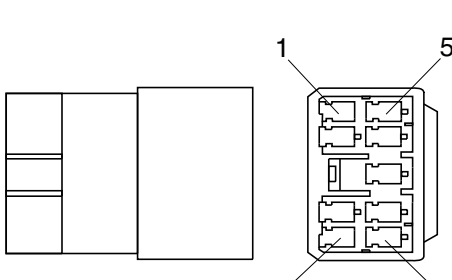
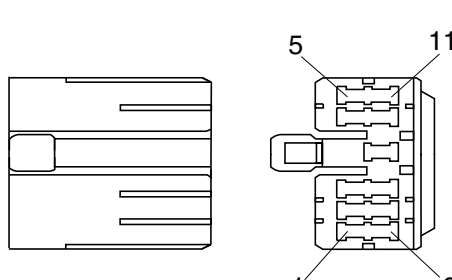
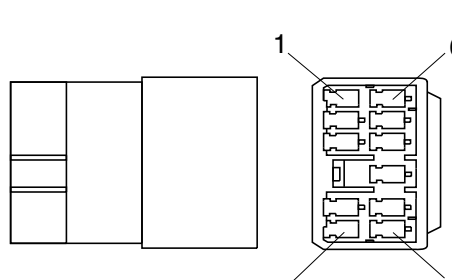
Connector number	Type	No. of pin	Destination	Connector part No.	
				Female	Male
CS-23	SWF	10	Beacon switch	593757	-
CS-41	SWF	10	Hazard switch	593757	-
CS-55	SWF	10	Ride control switch	593757	-
CS-57	SWF	10	Differential lock switch	593757	-
CS-61	DEUTSCH	8	Lever button	DT06-8S	-
CS-69	SWP	10	Side shift lock switch	593757	-
CS-70B	SWP	10	Safety switch (backhoe)	593757	-
CS-70L	SWP	10	Safety switch (loader)	593757	-
CS-70T	SWP	10	Boom lock switch	593757	-
CS-71	SWF	10	Breaker switch	593757	-
CS-80	SWF	10	Buzzer stop switch	593757	-
CS-96	SWF	10	Fuel warmer switch	593757	-
CS-156	OTTO	10	4-wheel drive and brake switch	801775-2B	-
Light					
CL-2	250	2	Socket	S810-002202	-
CL-3	DEUTSCH	6	Head light (LH)	DT06-6S	-
CL-4	DEUTSCH	6	Head light (RH)	DT06-6S	-
CL-5	DEUTSCH	2	Work light (LH, front, in)	DT06-2S	-
CL-6	DEUTSCH	2	Work light (RH, front, in)	DT06-2S	-
CL-7	AMP	2	Beacon lamp	S810-002202	-
CL-15	TYCO	4	Combi lamp (RR, LH)	282088-1	-
CL-16	TYCO	4	Combi lamp (RR, RH)	282088-1	-
CL-21	SWP	2	Numberplate lamp	S822-014000	-
CL-22	DEUTSCH	2	Work light (LH, rear, out)	DT06-2S	-
CL-23	DEUTSCH	2	Work light (RH, rear, out)	DT06-2S	-
CL-30	KET	2	Room lamp	MG610392	-
CL-31	KET	2	Room lamp	MG610392	-
CL-32	DEUTSCH	2	Work light (LH, rear, in)	DT06-2S	-
CL-33	DEUTSCH	2	Work light (RH, rear, in)	DT06-2S	-
CL-35	DEUTSCH	2	Work light (LH, front, out)	DT06-2S	-
CL-36	DEUTSCH	2	Work light (RH, front, out)	DT06-2S	-
CL-51	KUM	9	Indicator work light	PH845-09010	-
Sensor, sender					
CD-2	DEUTSCH	2	Fuel sensor	DT06-2S-EP06	-
CD-4	TYCO	3	Stop lamp pressure switch	174359-2	-
CD-8	DEUTSCH	2	Coolant temperature switch	DT06-2S-EP06	-
CD-10	TYCO	2	Air cleaner switch	85202-1	-
CD-46	AMP	2	Output speed sensor	85202-1	-
CD-49	AMP	2	T/M temperature sensor	85202-1	-

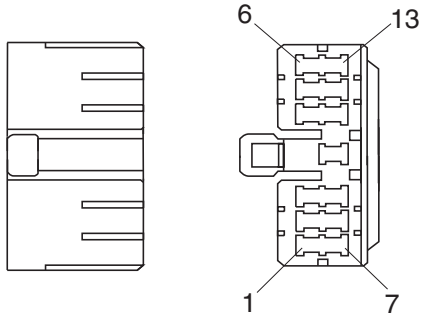
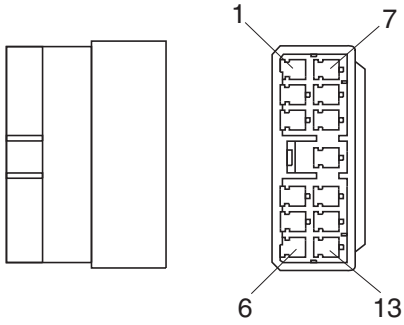
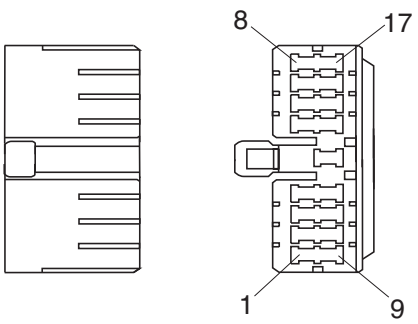
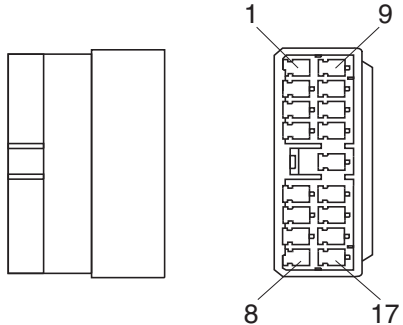
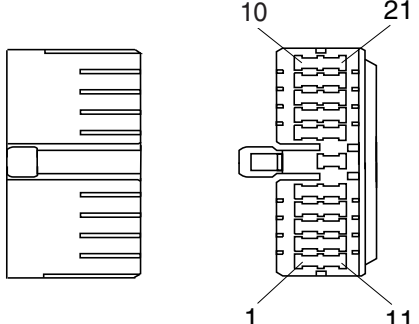
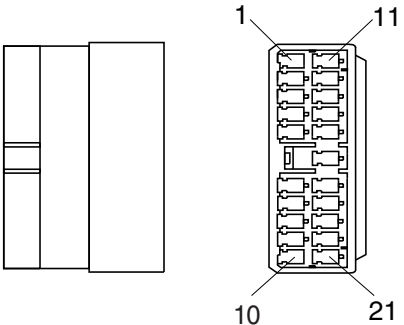
2. CONNECTION TABLE FOR CONNECTORS

1) 58-L TYPE CONNECTOR

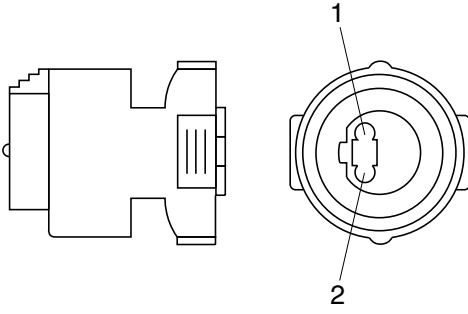
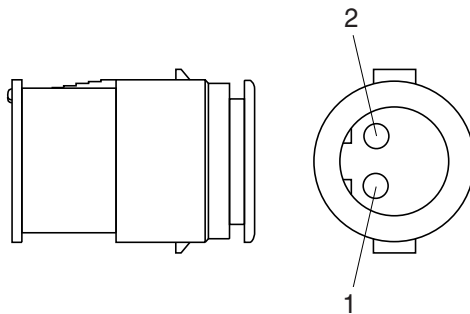
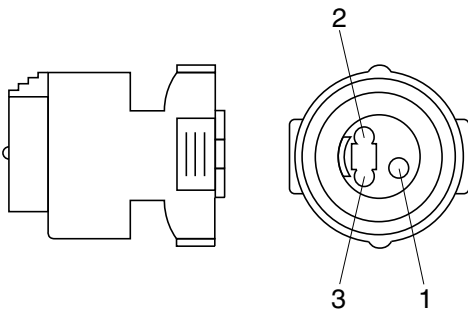
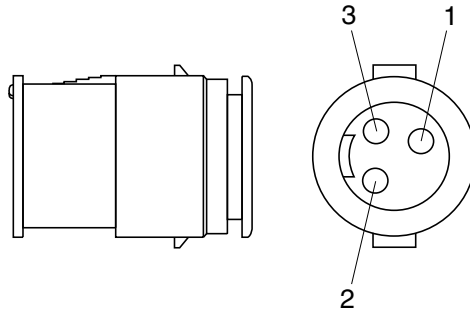
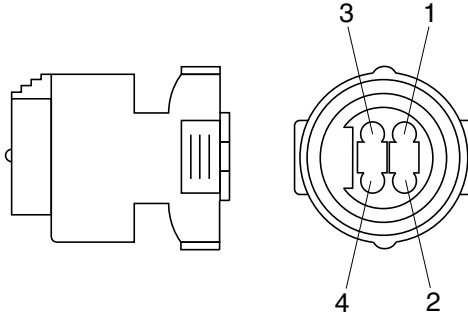
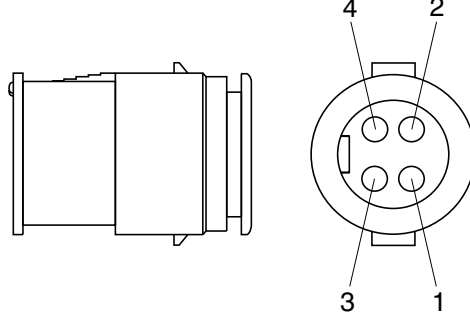
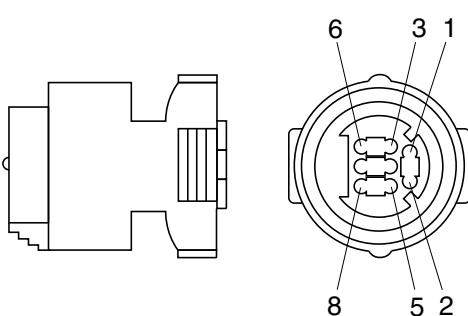
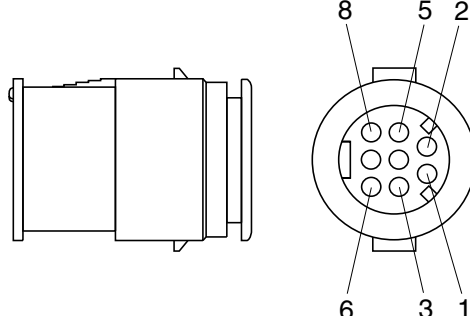
No. of pin	Receptacle connector (female)	Plug connector (male)
1	 <p data-bbox="699 728 842 757">S813-030100</p>	 <p data-bbox="1265 728 1409 757">S813-130100</p>
2	 <p data-bbox="699 1137 842 1167">S813-030200</p>	 <p data-bbox="1265 1137 1409 1167">S813-130200</p>

2) PA TYPE CONNECTOR

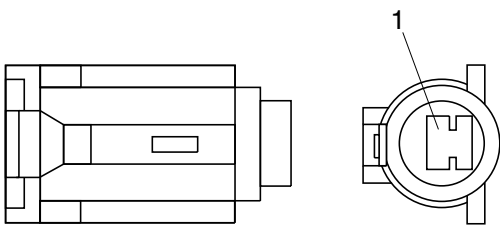
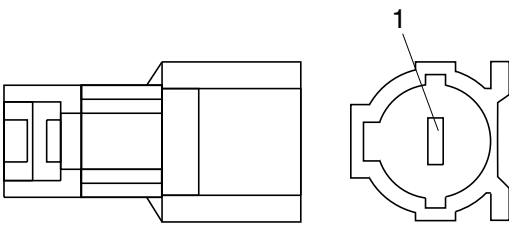
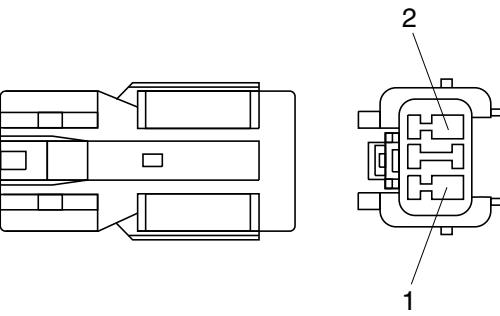
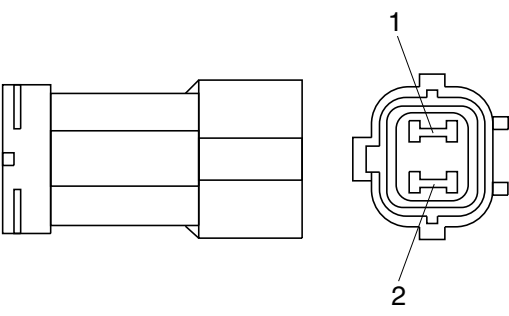
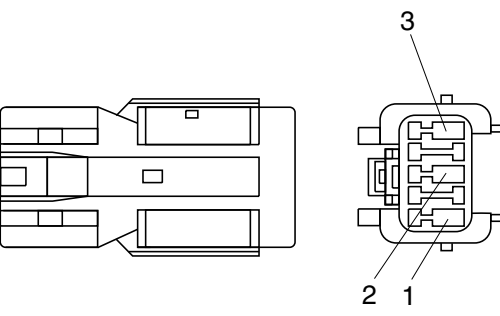
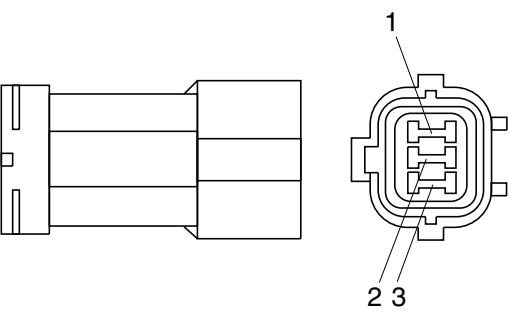
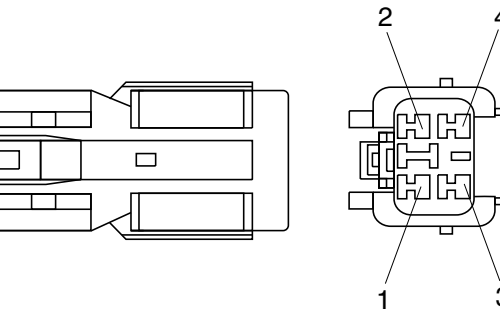
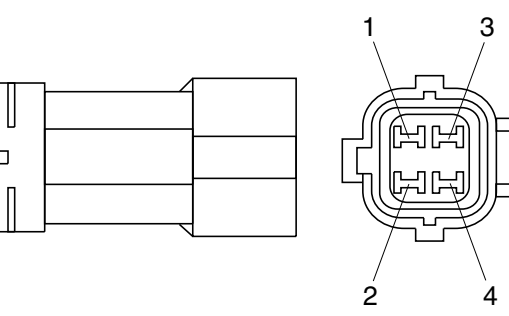
No. of pin	Receptacle connector (female)	Plug connector (male)
5	 <p data-bbox="683 674 836 703">S811-005002</p>	 <p data-bbox="1257 674 1410 703">S811-105002</p>
7	 <p data-bbox="683 1079 836 1108">S811-007002</p>	 <p data-bbox="1257 1079 1410 1108">S811-107002</p>
9	 <p data-bbox="683 1485 836 1514">S811-009002</p>	 <p data-bbox="1257 1485 1410 1514">S811-109002</p>
11	 <p data-bbox="683 1890 836 1919">S811-011002</p>	 <p data-bbox="1257 1890 1410 1919">S811-111002</p>

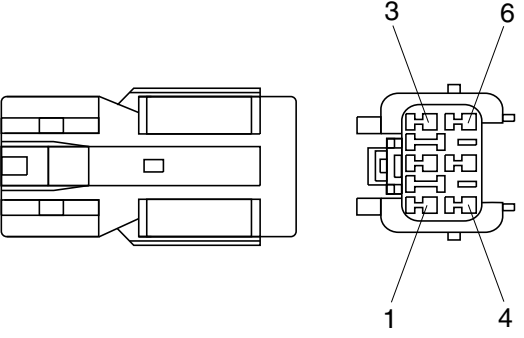
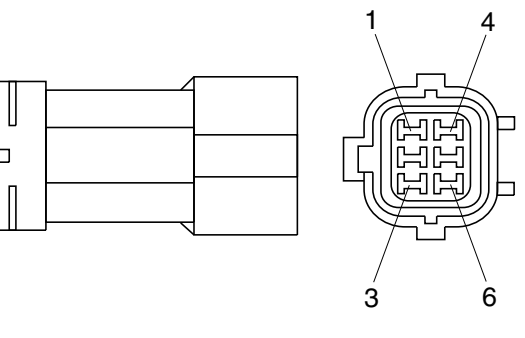
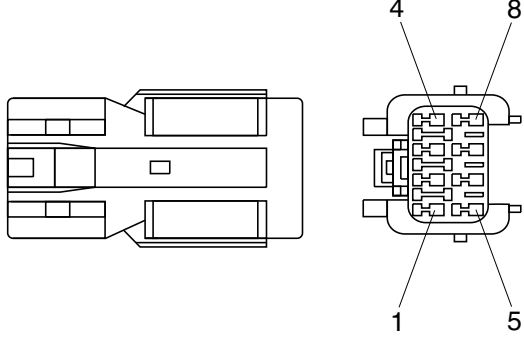
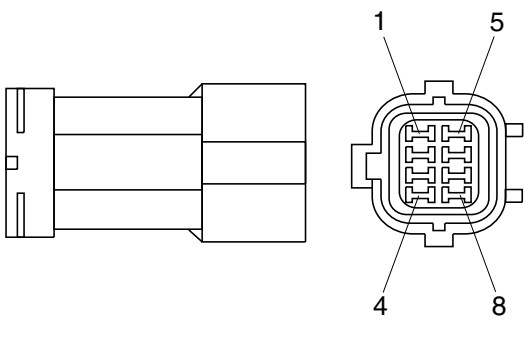
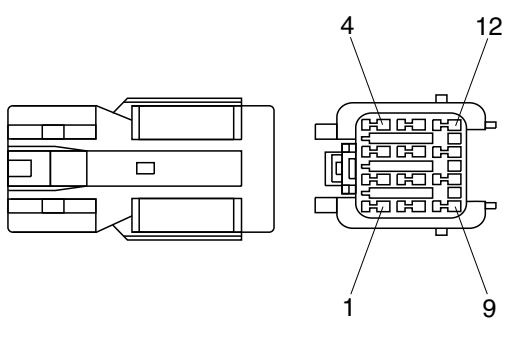
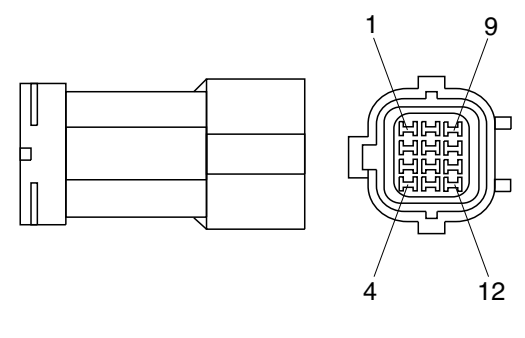
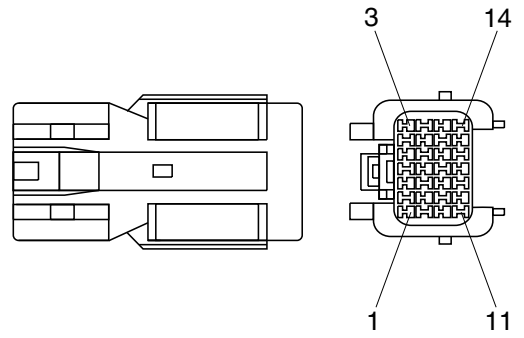
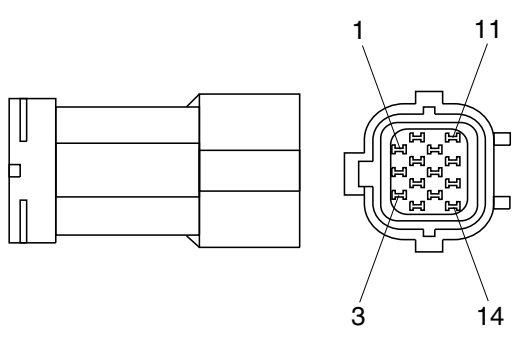
No. of pin	Receptacle connector (female)	Plug connector (male)
13	 <p style="text-align: center;">S811-013002</p>	 <p style="text-align: center;">S811-113002</p>
17	 <p style="text-align: center;">S811-017002</p>	 <p style="text-align: center;">S811-117002</p>
21	 <p style="text-align: center;">S811-021002</p>	 <p style="text-align: center;">S811-121002</p>

3) J TYPE CONNECTOR

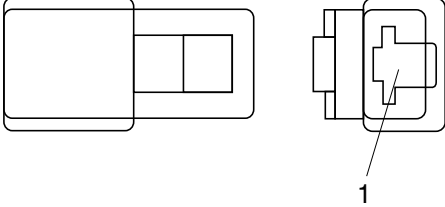
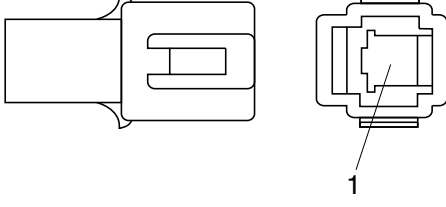
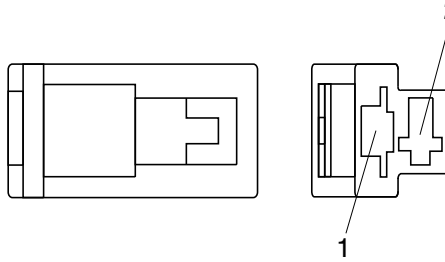
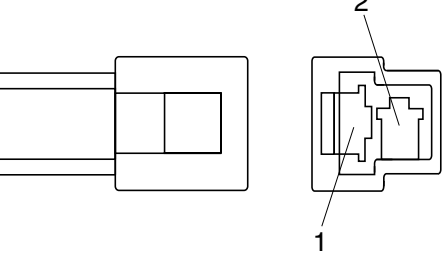
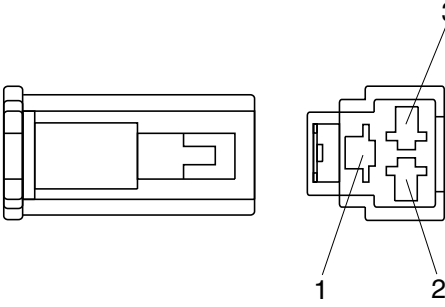
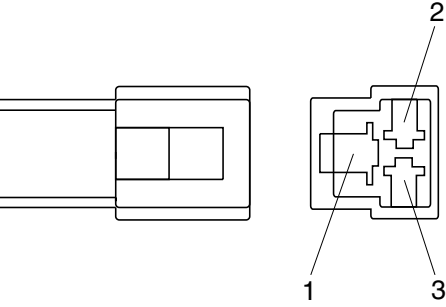
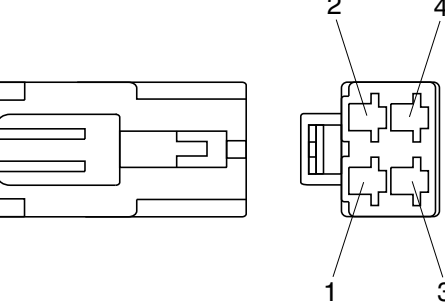
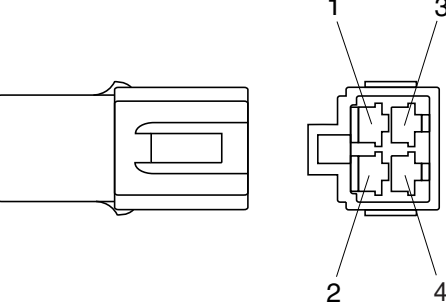
No. of pin	Receptacle connector (female)	Plug connector (male)
2	 <p style="text-align: center;">S816-002001</p>	 <p style="text-align: center;">S816-102001</p>
3	 <p style="text-align: center;">S816-003001</p>	 <p style="text-align: center;">S816-103001</p>
4	 <p style="text-align: center;">S816-004001</p>	 <p style="text-align: center;">S816-104001</p>
8	 <p style="text-align: center;">S816-008001</p>	 <p style="text-align: center;">S816-108001</p>

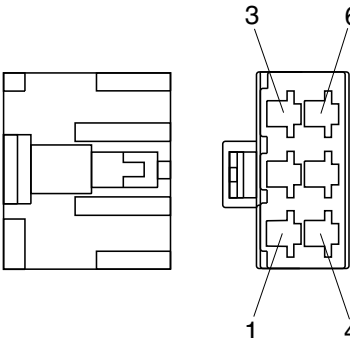
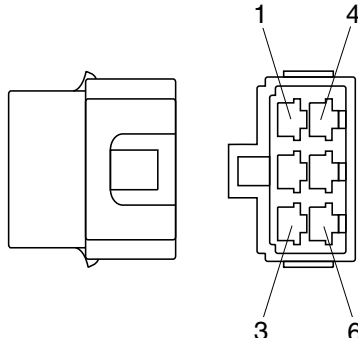
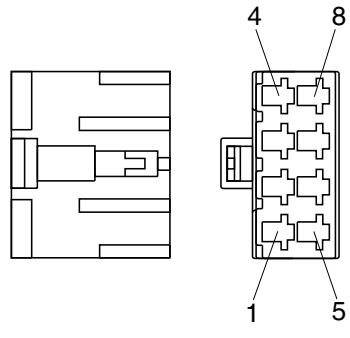
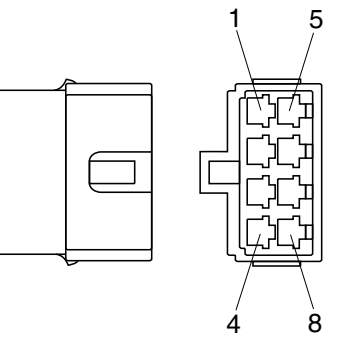
4) SWP TYPE CONNECTOR

No. of pin	Receptacle connector (Female)	Plug connector (male)
1	 <p data-bbox="686 683 837 712">S814-001000</p>	 <p data-bbox="1236 683 1388 712">S814-101000</p>
2	 <p data-bbox="686 1086 837 1115">S814-002000</p>	 <p data-bbox="1236 1086 1388 1115">S814-102000</p>
3	 <p data-bbox="686 1489 837 1518">S814-003000</p>	 <p data-bbox="1236 1489 1388 1518">S814-103000</p>
4	 <p data-bbox="686 1892 837 1921">S814-004000</p>	 <p data-bbox="1236 1892 1388 1921">S814-104000</p>

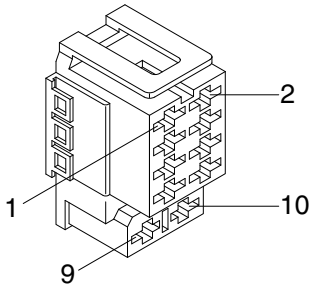
No. of pin	Receptacle connector (female)	Plug connector (male)
6	 <p data-bbox="686 627 837 660">S814-006000</p>	 <p data-bbox="1260 627 1412 660">S814-106000</p>
8	 <p data-bbox="686 1030 837 1064">S814-008000</p>	 <p data-bbox="1260 1030 1412 1064">S814-108000</p>
12	 <p data-bbox="686 1438 837 1471">S814-012000</p>	 <p data-bbox="1260 1438 1412 1471">S814-112000</p>
14	 <p data-bbox="686 1845 837 1879">S814-014000</p>	 <p data-bbox="1260 1845 1412 1879">S814-114000</p>

5) CN TYPE CONNECTOR

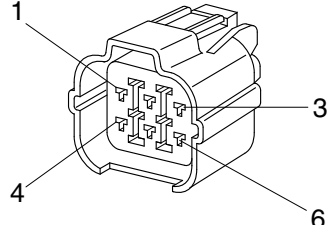
No. of pin	Receptacle connector (female)	Plug connector (male)
1	 <p data-bbox="687 678 839 707">S810-001202</p>	 <p data-bbox="1262 678 1414 707">S810-101202</p>
2	 <p data-bbox="687 1084 839 1113">S810-002202</p>	 <p data-bbox="1262 1084 1414 1113">S810-102202</p>
3	 <p data-bbox="687 1491 839 1520">S810-003202</p>	 <p data-bbox="1262 1491 1414 1520">S810-103202</p>
4	 <p data-bbox="687 1895 839 1924">S810-004202</p>	 <p data-bbox="1262 1895 1414 1924">S810-104202</p>

No. of pin	Receptacle connector (female)	Plug connector (male)
6	 <p data-bbox="686 627 837 660">S810-006202</p>	 <p data-bbox="1236 627 1388 660">S810-106202</p>
8	 <p data-bbox="686 1041 837 1075">S810-008202</p>	 <p data-bbox="1236 1041 1388 1075">S810-108202</p>

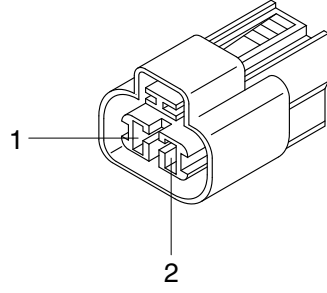
6) ITT SWF CONNECTOR

No. of pin	Receptacle connector (female)	Plug connector (male)
10	 <p style="text-align: right;">SWF593757</p>	

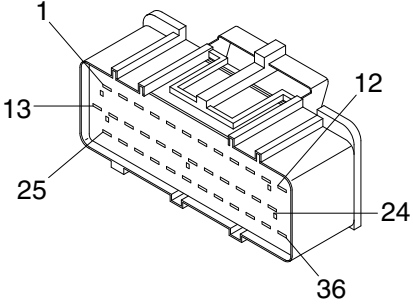
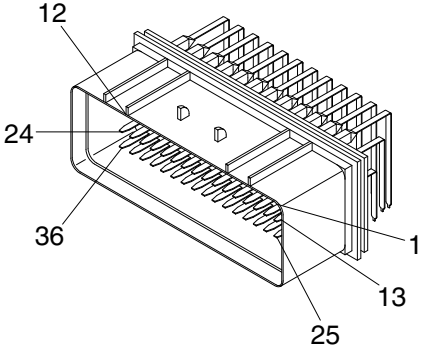
7) HW090 SEALED CONNECTOR

No. of pin	Receptacle connector (female)	Plug connector (male)
6	 <p style="text-align: right;">936257-1</p>	

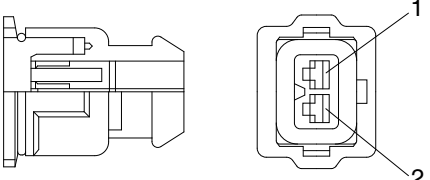
8) MWP02F-B CONNECTOR

No. of pin	Receptacle connector (female)	Plug connector (male)
2	 <p style="text-align: right;">PK145-16017</p>	

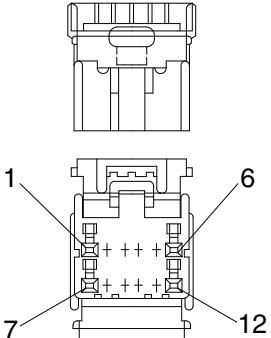
9) AMP ECONOSEAL CONNECTOR

No. of pin	Receptacle connector (female)	Plug connector (male)
36	 <p style="text-align: right;">344111-1</p>	 <p style="text-align: right;">344108-1</p>

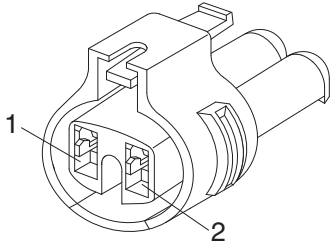
10) AMP TIMER CONNECTOR

No. of pin	Receptacle connector (female)	Plug connector (male)
2	 <p style="text-align: right;">85202-1</p>	

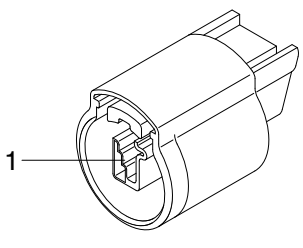
11) AMP 040 MULTILOCK CONNECTOR

No. of pin	Receptacle connector (female)	Plug connector (male)
12	 <p style="text-align: right;">17809-2</p>	

12) KET 090 WP CONNECTORS

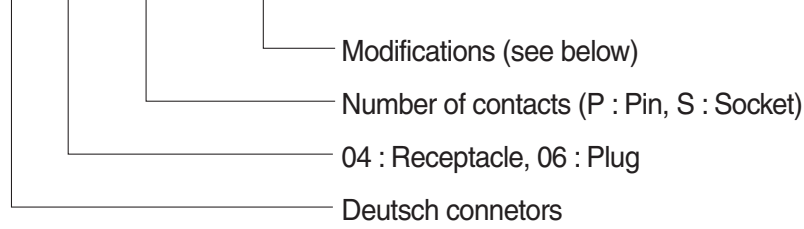
No. of pin	Receptacle connector (female)	Plug connector (male)
2	 <p style="text-align: right;">MG640795</p>	

13) MWP NMWP CONNECTOR

No. of pin	Receptacle connector (female)	Plug connector (male)
1	 <p style="text-align: right;">NMWP01F-B</p>	

14) DEUTSCH DT CONNECTORS

DT 06 - 3S - ★★☆☆



※ Modification

E003 : Standard end cap - gray

E004 : Color of connector to be black

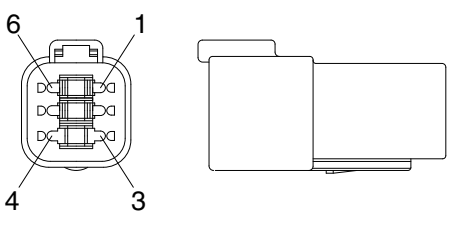
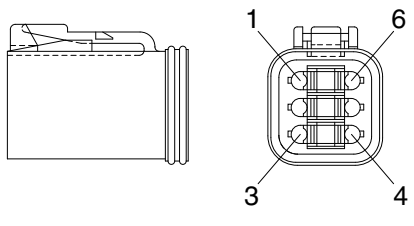
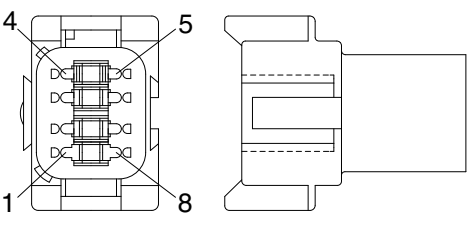
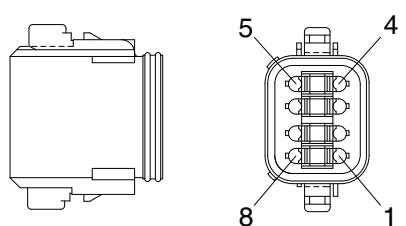
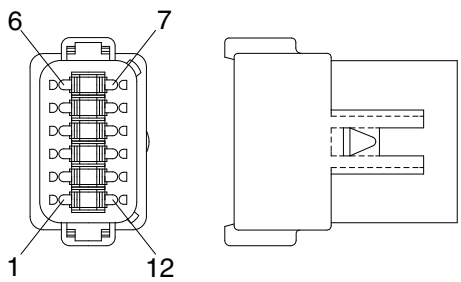
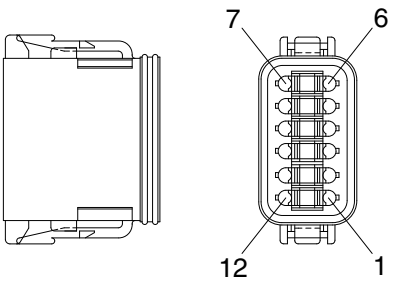
E005 : Combination - E004 & E003

EP04 : End cap

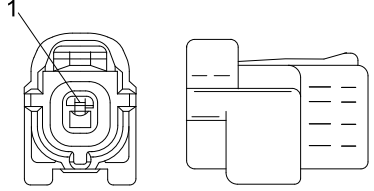
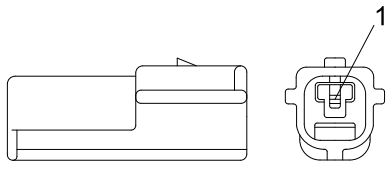
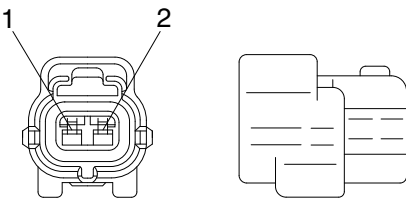
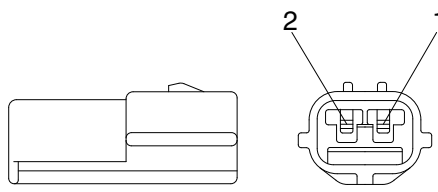
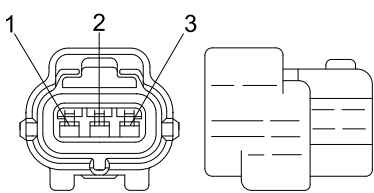
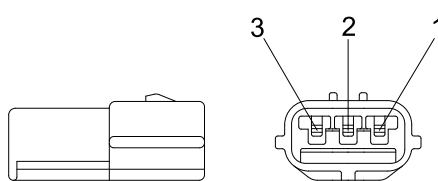
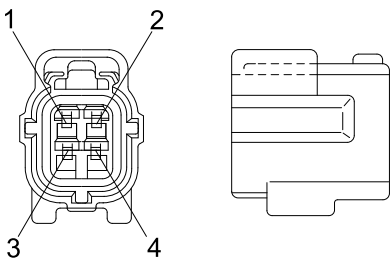
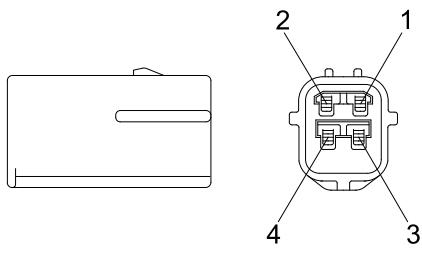
EP06 : Combination P012 & EP04

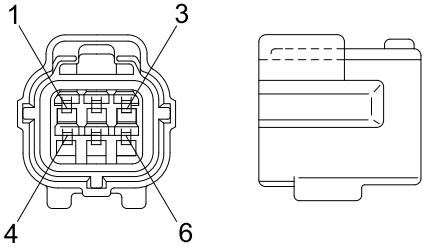
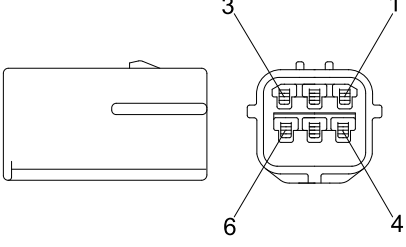
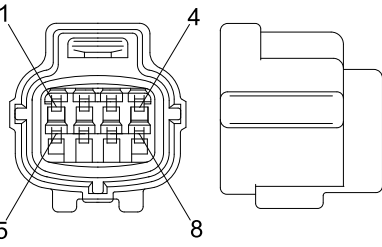
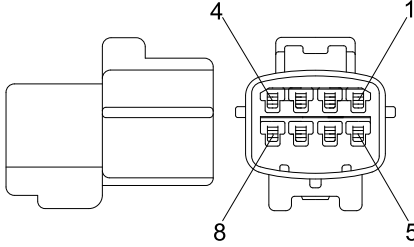
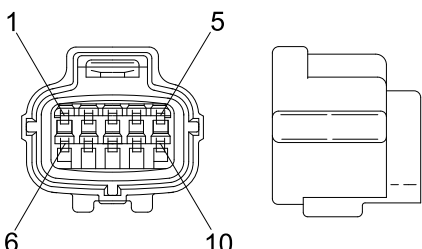
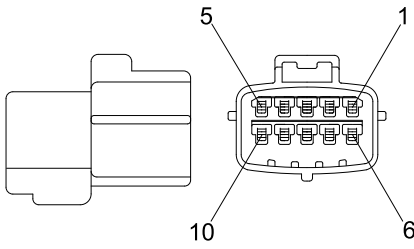
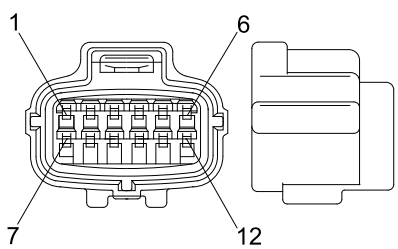
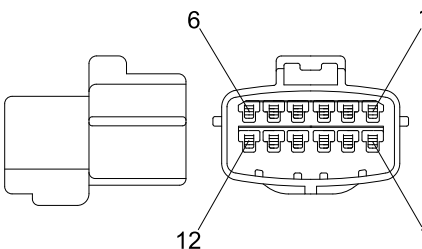
P012 : Front seal enhancement - connectors color to black for 2, 3, 4 & 6pin

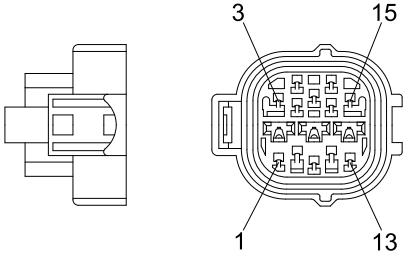
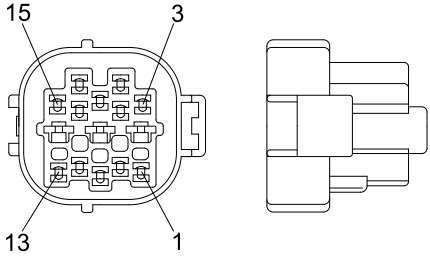
No. of pin	Receptacle connector (female)	Plug connector (male)
2	<p style="text-align: right;">DT06-2S</p>	<p style="text-align: right;">DT04-2P</p>
3	<p style="text-align: right;">DT06-3S</p>	<p style="text-align: right;">DT04-3P</p>
4	<p style="text-align: right;">DT06-4S</p>	<p style="text-align: right;">DT04-4P</p>

No. of pin	Receptacle connector (female)	Plug connector (male)
6	 <p style="text-align: right;">DT06-6S</p>	 <p style="text-align: right;">DT04-6P</p>
8	 <p style="text-align: right;">DT06-8S</p>	 <p style="text-align: right;">DT04-8P</p>
12	 <p style="text-align: right;">DT06-12S</p>	 <p style="text-align: right;">DT04-12P</p>

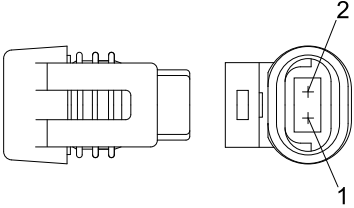
15) ECONOSEAL J TYPE CONNECTORS

No. of pin	Receptacle connector (female)	Plug connector (male)
1	 <p style="text-align: right;">S816-001002</p>	 <p style="text-align: left;">S816-101002</p>
2	 <p style="text-align: right;">S816-002002</p>	 <p style="text-align: left;">S816-102002</p>
3	 <p style="text-align: right;">S816-003002</p>	 <p style="text-align: left;">S816-103002</p>
4	 <p style="text-align: right;">S816-004002</p>	 <p style="text-align: left;">S816-104002</p>

No. of pin	Receptacle connector (female)	Plug connector (male)
6	 <p data-bbox="686 638 837 672">S816-006002</p>	 <p data-bbox="1244 638 1396 672">S816-106002</p>
8	 <p data-bbox="686 1041 837 1075">S816-008002</p>	 <p data-bbox="1244 1041 1396 1075">S816-108002</p>
10	 <p data-bbox="686 1444 837 1478">S816-010002</p>	 <p data-bbox="1244 1444 1396 1478">S816-110002</p>
12	 <p data-bbox="686 1848 837 1881">S816-012002</p>	 <p data-bbox="1244 1848 1396 1881">S816-112002</p>

No. of pin	Receptacle connector (female)	Plug connector (male)
15	 <p data-bbox="730 636 836 663">368301-1</p>	 <p data-bbox="1276 636 1382 663">2-85262-1</p>

16) METRI-PACK TYPE CONNECTOR

No. of pin	Receptacle connector (female)	Plug connector (male)
2	 <p data-bbox="724 1240 829 1267">12040753</p>	