

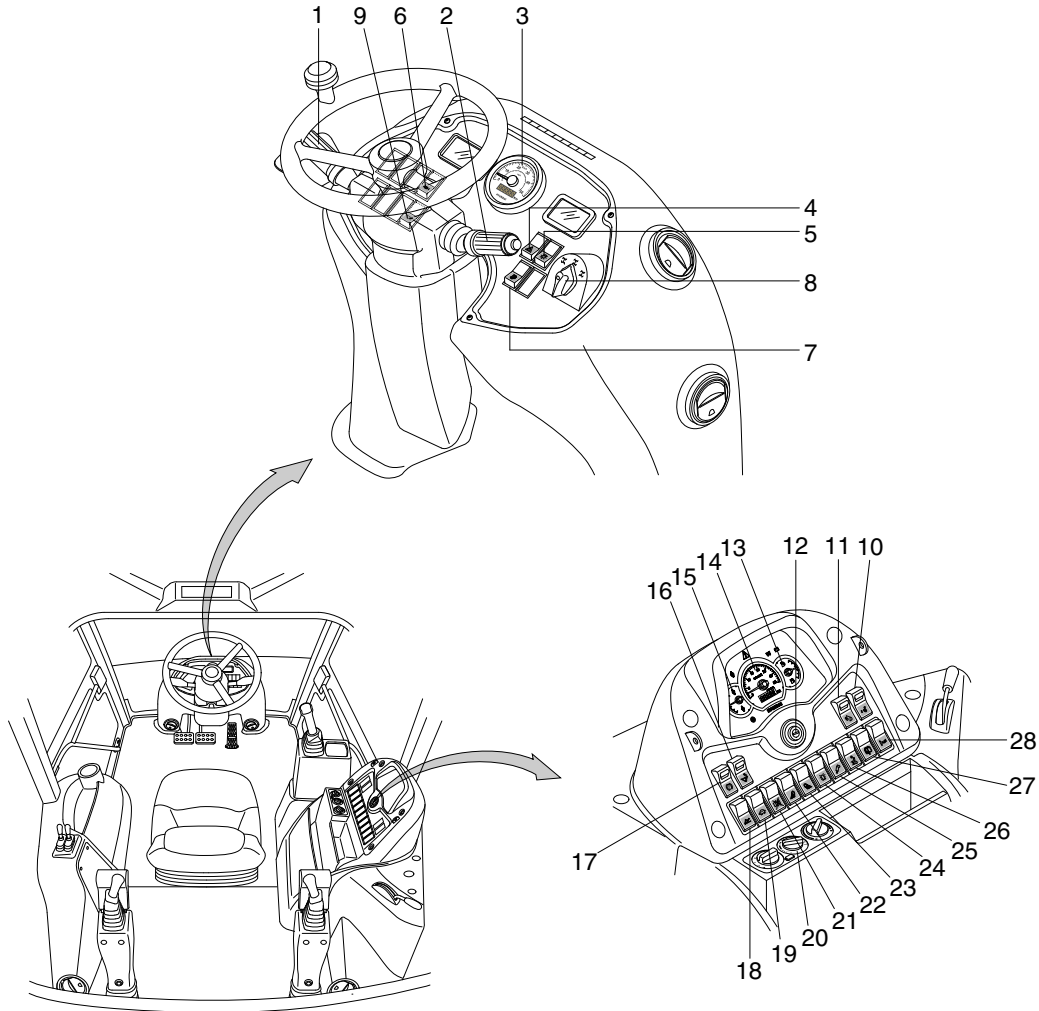
## SECTION 7 ELECTRICAL SYSTEM

Group 1 Component Location .....	7-1
Group 2 Electrical Circuit .....	7-3
Group 3 Monitoring System .....	7-24
Group 4 Switches .....	7-29
Group 5 Electrical Component Specification .....	7-38
Group 6 Connectors .....	7-44

# SECTION 7 ELECTRICAL SYSTEM

## GROUP 1 COMPONENT LOCATION

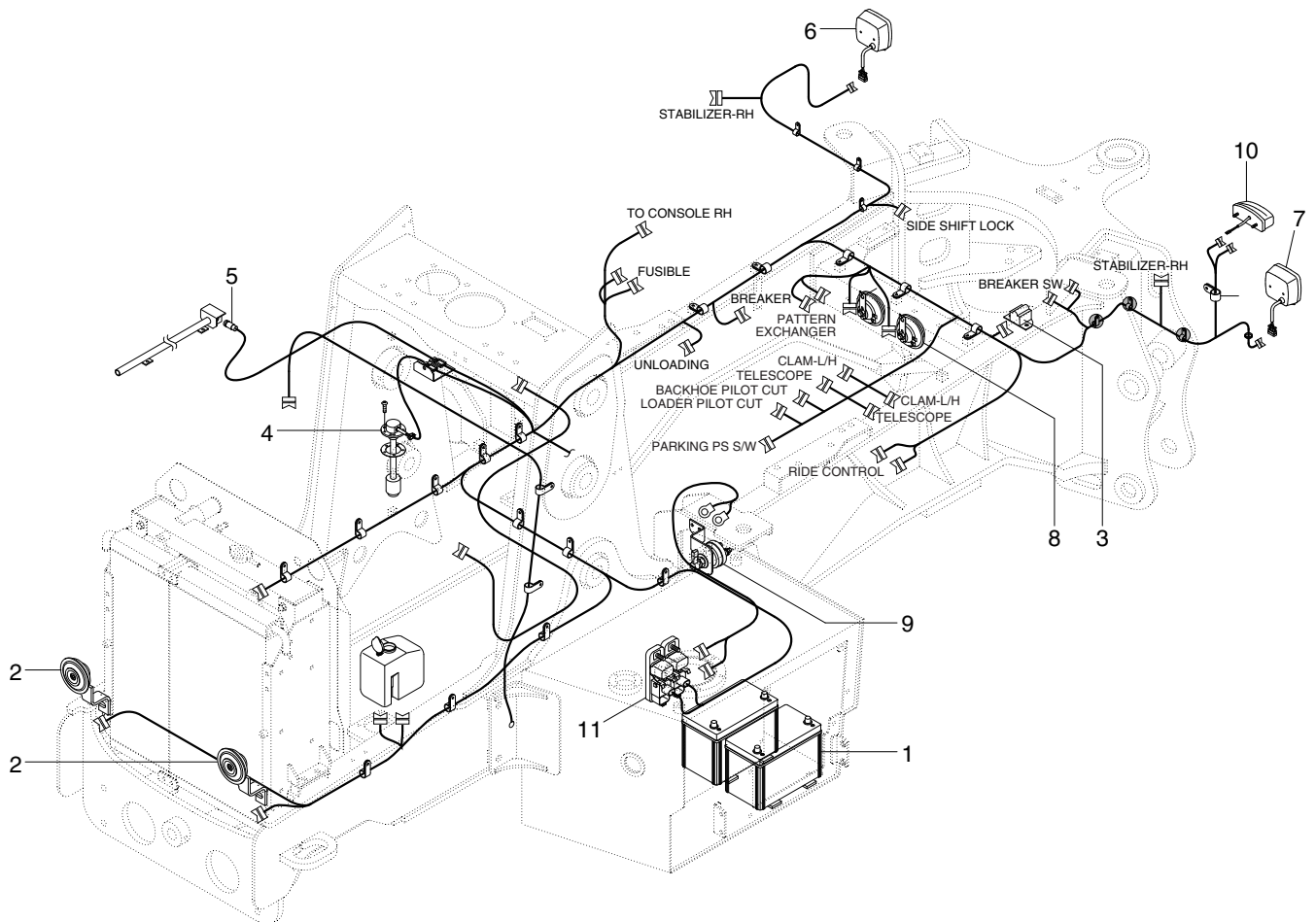
### 1. LOCATION 1



H930ST7EL80

- |  |                             |                                    |
|--|-----------------------------|------------------------------------|
| 1 Gear selector                        | 11 Safety switch (backhoe)  | 20 Air conditioner & heater switch |
| 2 Multi-function switch                | 12 Starting switch          | 21 Buzzer stop switch              |
| 3 Speed meter                          | 13 Fuel level gauge         | 22 Front work lights switch        |
| 4 Hazard warning switch                | 14 RPM gauge                | 23 Rear work lights switch         |
| 5 Side and head light switch           | 15 Coolant temp gauge       | 24 Beacon switch                   |
| 6 Differential lock switch             | 16 Safety switch (loader)   | 25 Breaker switch                  |
| 7 Fuel warmer switch                   | 17 Parking brake switch     | 26 Side shift unlock switch        |
| 8 4 Wheel drive select switch          | 18 Return to dig switch     | 27 Rear window wiper switch        |
| 9 Ride control switch                  | 19 Low speed control switch | 28 Boom lock switch                |
| 10 Control pattern change switch (opt) |                             |                                    |

## 2. LOCATION 2



H930ST7EL70

- |   |             |   |                       |    |               |
|---|-------------|---|-----------------------|----|---------------|
| 1 | Battery     | 5 | Proximity switch      | 9  | Master switch |
| 2 | Horn        | 6 | Combination lamp - LH | 10 | License lamp  |
| 3 | Back buzzer | 7 | Combination lamp - RH | 11 | Power relay   |
| 4 | Fuel sender | 8 | Hone                  |    |               |